



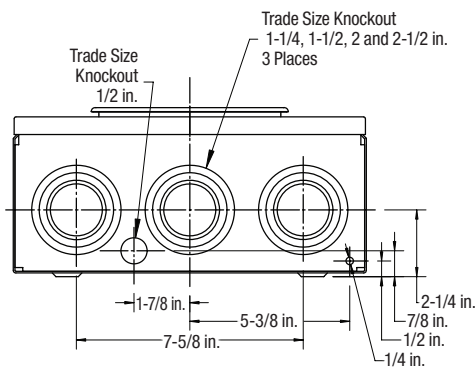
(BS2L-TV)

BS2L Series

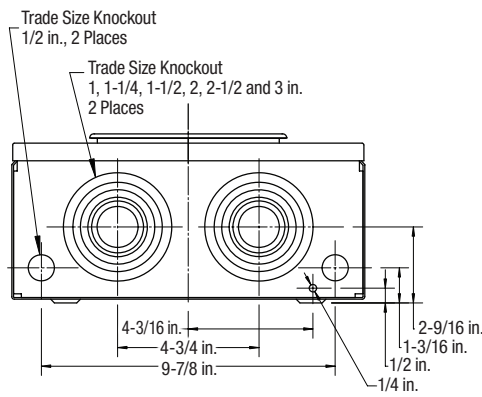
200 A 600 V; Oversize Enclosure Lay-In Lug

Product Specifications

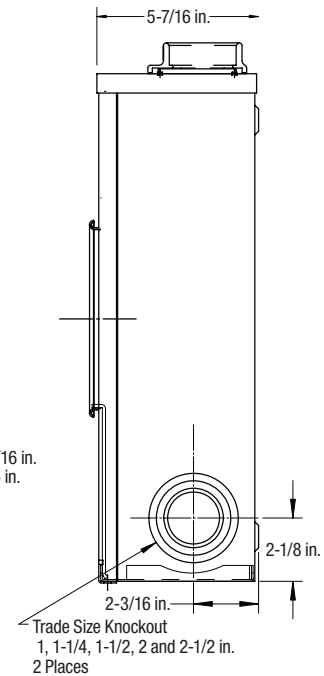
- Same as BS2 Series with the exception that lay-in type connectors are provided
- Conductor range: 6 AWG-250 kcmil
- Aluminum lay-in type connectors for both load and line sides
- For overhead, underground and combination overhead/underground
- Supplied with screw type ring
- Weatherproof Type 3R enclosure
- **Primarily used in: B.C., Ont.**



TYPICAL BOTTOM



BC HYDRO BOTTOM



Approved for copper or aluminum

Cat. No.	Description	Dimensions (in.)			Weight Each	
		H	W	D	lb.	kg
4 JAW						
BS2L-TV	200 A underground with lay-in lugs	17-1/8	12	5-7/16	16	7.2
BS2L-TCV	200 A over/under combination with lay-in lugs					
BS2L-TCVBCR	200 A over/under combination with lay-in lugs (BC Hydro)					
FACTORY INSTALLED ACCESSORIES						
Include: -5	5 th jaw standard capacity					
-6	5 th jaw full capacity, 6 o'clock position					
-9	5 th jaw full capacity, 9 o'clock position					
-IN	Insulated neutral					

BS2M Series

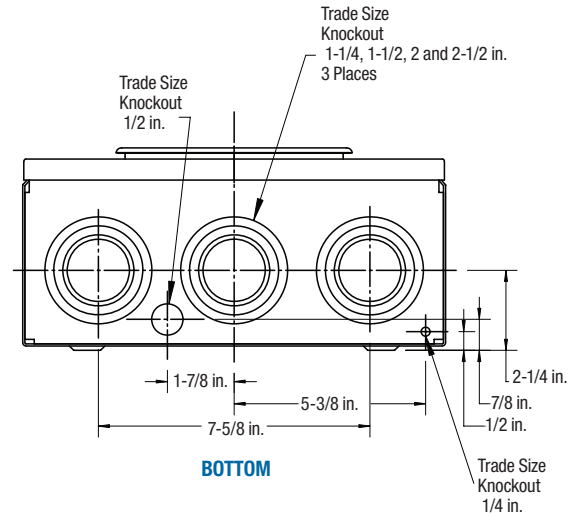
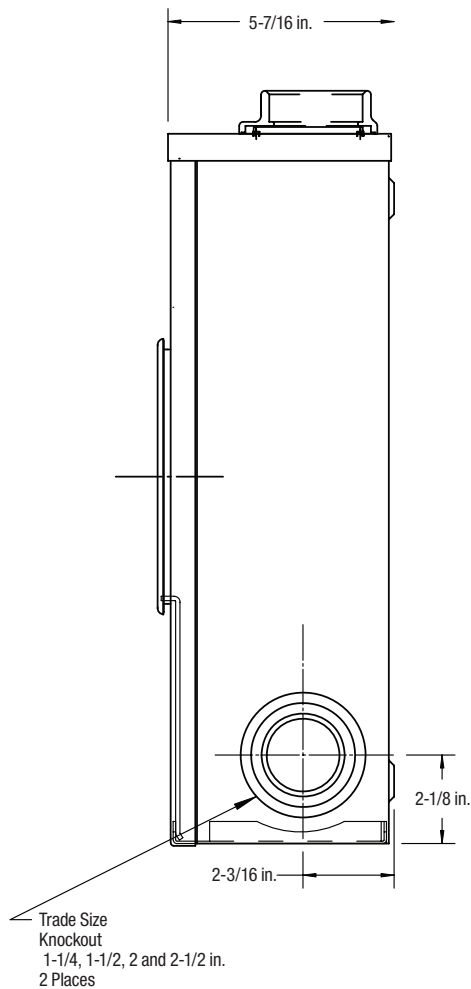
200 A 600 V; Oversize Enclosure,
Subfeed on Load Side

Product Specifications

- Conductor range: Line: 6 AWG-250 kcmil, Load: 12-1/0 AWG
- Aluminum tunnel type connector for line side
- For overhead service only
- Dual lug subfeed for load side
- Supplied with screw type ring
- Weatherproof Type 3R enclosure
- **Primarily used in: All provinces**



(BS2M-V)



BOTTOM



Cat. No.	Description	Dimensions (in.)			Weight Each	
		H	W	D	lb.	kg
4 JAW						
BS2M-V	Overhead, hub opening	17-1/8	12	5-7/16	15	6.8