

## Flush Service Floor Boxes

### 60W Series Floor Boxes

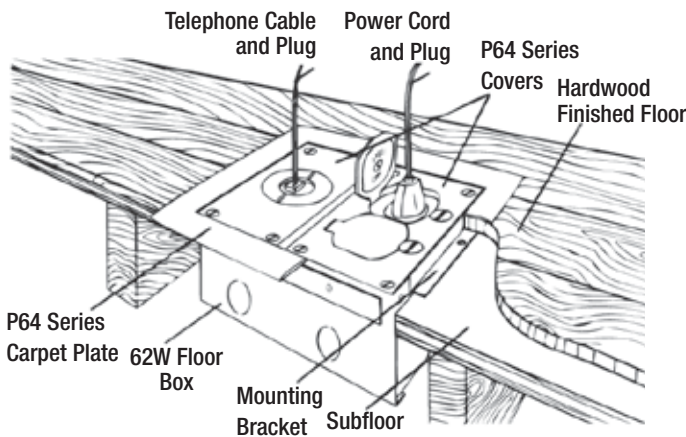


### For Wood Subfloors!

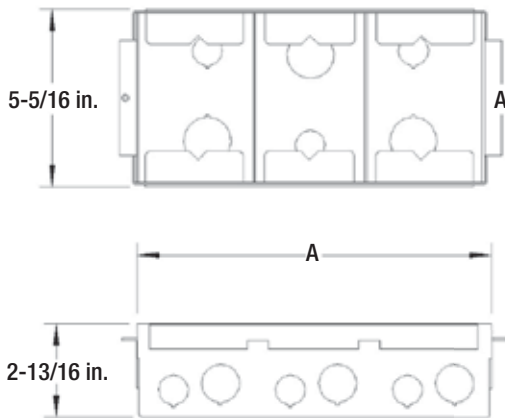
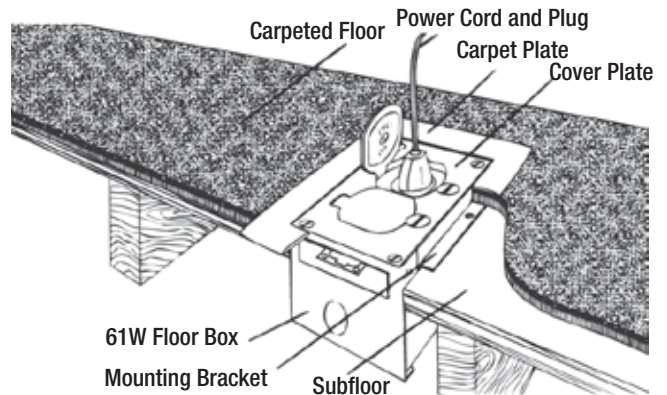
Steel City® 60W Series Floor Boxes provide single – and multi-gang solutions or wood subfloor applications.

- NEW! Three-gang configuration for high-capacity, multi-service installations.
- NEW! Larger KOs (3/4 in. & 1 in.) have been added to each gang for application flexibility.
- Adjustable mounting brackets allow for various finished floor-material heights (**hardwoods, tile or carpet**).

### New Construction



### Retrofit Construction (Old Work)



### 60W Series Floor Boxes



Cat. No.	Trade Size (in.)	Capacity	Std. Ctn.
61W	1-Gang Floor Box 3-11/16 in. Ends: (2) 1/2 in., (2) 3/4 in. Bottom: (1) 1/2 in., (1) 1 in.	31 cu. in.	1
62W	2-Gang Floor Box 7-1/16 in. Ends: (4) 1/2 in., (4) 3/4 in. Bottom: (2) 1/2 in., (2) 1 in.	60 cu. in.	
63W	3-Gang Floor Box 10-1/4 in. Ends: (6) 1/2 in., (6) 3/4 in. Bottom: (3) 1/2 in., (3) 1 in.	90 cu. in.	

**New**