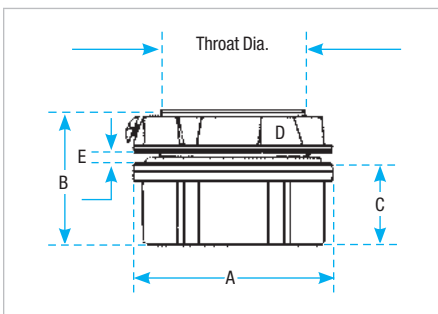


## Rigid and Intermediate Metal Conduit Fittings



### T&B Grounding Hub



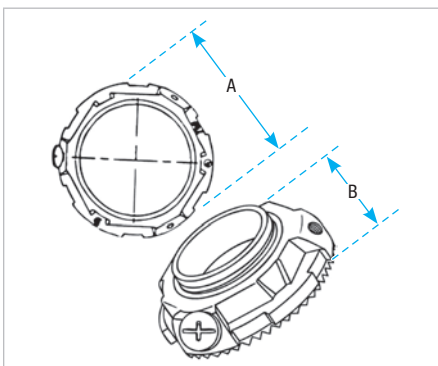
| Cat. No. Zinc | Cat. No. Aluminum | Trade Size (in.) | Dimensions (in.) |         |         |                        |               |
|---------------|-------------------|------------------|------------------|---------|---------|------------------------|---------------|
|               |                   |                  | Dia. (in.)       |         |         | D Max. Panel Thickness | E Throat Dia. |
|               |                   |                  | A                | B       | C       |                        |               |
| H050GR-C      | H050GRA-C         | 1/2              | 17/16            | 19/16   | 7/8     | 3/16                   | 19/32         |
| H075GR-C      | H075GRA-C         | 3/4              | 12-1/32          | 1-19/32 | 29/32   | 3/16                   | 25/32         |
| H100GR-C      | H100GRA-C         | 1                | 2                | 1-13/16 | 1-1/16  | 1/4                    | 1             |
| H125GR-C      | H125GRA-C         | 1-1/4            | 2-3/8            | 1-7/8   | 1-1/16  | 1/4                    | 1-5/16        |
| H150GR-C      | H150GRA-C         | 1-1/2            | 2-3/4            | 1-7/8   | 1-1/16  | 1/4                    | 1-17/32       |
| H200GR-C      | H200GRA-C         | 2                | 3-1/4            | 1-15/16 | 1-15/32 | 1/4                    | 1-31/32       |
| H250GR-C      | H250GRA-C         | 2-1/2            | 3-3/4            | 2-9/16  | 1-9/16  | 1/4                    | 2-13/32       |
| H300GR-C      | H300GRA-C         | 3                | 4-3/8            | 2-21/32 | 1-19/32 | 1/4                    | 2-31/32       |
| H350GR-C      | H350GRA-C         | 3-1/2            | 5                | 2-23/32 | 1-5/8   | 1/4                    | 3-13/32       |
| H400GR-C      | H400GRA-C         | 4                | 5-1/2            | 2-23/32 | 1-5/8   | 1/4                    | 3-7/8         |
| H500GR-C      | H500GRA-C         | 5                | 6-7/8            | 3-1/32  | 1-15/16 | 1/4                    | 4-15/16       |
| H600GR-C      | H600GRA-C         | 6                | 7-11/16          | 3-5/32  | 2       | 5/16                   | 6             |

Material—Hub and Locknut: zinc or copper-free aluminum  
 Insulating Throat: thermoplastic temp. rating 105°C;  
 flammability rating: 94V-0  
 Sealing Ring: Nitrile (BUNA "N")

For Chrome Plated Hubs add suffix **CP** (i.e. H050GRCP)  
 For 316 Stainless Steel Hubs add suffix **SST** (i.e. H050GRSST)  
 For PVC coating add suffix **PVC** (i.e. H050GRPVC-C)  
 Meets NEMA sealing requirements for NEMA 3R, 4 & 13 enclosures  
 UL Listed and CSA Certified  
 CSA approved for use in hazardous locations: Class I, Division 2, Class II, Divisions 1 & 2, Groups E, F & G, Class III, Division 1, 2 and Type 4.



Grounding Locknut for Hubs



### T&B Grounding and Bonding Locknut



| Cat. No. with Lay-In Lug | Cat. No. without Lay-In Lug | Trade Size (in.) | A Dia. (in.) | B Height (in.) | Ground Screw (in.) | Max. Conductor Size |
|--------------------------|-----------------------------|------------------|--------------|----------------|--------------------|---------------------|
| L050GRL                  | L050GR-C                    | 1/2              | 1-1/2        | 13/32          | #10-32 x 1/4       | #10                 |
| L075GRL                  | L075GR-C                    | 3/4              | 1-11/16      | 13/32          | #10-32 x 1/4       | #10                 |
| L100GRL                  | L100GR-C                    | 1                | 2            | 13/32          | #10-32 x 1/4       | #10                 |
| L125GRL                  | L125GR-C                    | 1-1/4            | 2-3/8        | 15/32          | 1/4-20 x 1/4       | #10                 |
| L150GRL                  | L150GR-C                    | 1-1/2            | 2-3/4        | 15/32          | 1/4-20 x 5/16      | #8                  |
| L200GRL                  | L200GR-C                    | 2                | 3-1/4        | 15/32          | 1/4-20 x 5/16      | #8                  |
| L250GRL                  | L250GR-C                    | 2-1/2            | 3-3/4        | 11/16          | 1/4-20 x 5/16      | #6                  |
| L300GRL                  | L300GR-C                    | 3                | 4-3/8        | 23/32          | 1/4-20 x 5/16      | #6                  |
| L350GRL                  | L350GR-C                    | 3-1/2            | 5            | 23/32          | 1/4-20 x 5/16      | #6                  |
| L400GRL                  | L400GR-C                    | 4                | 5-1/2        | 23/32          | 1/4-20 x 5/16      | #4                  |
| L500GRL                  | L500GR-C                    | 5                | 6-5/8        | 23/32          | 3/8-16 x 3/8       | #2                  |

Material — Locknut: zinc or copper-free aluminum  
 For Aluminum Locknuts add suffix **A**. (i.e. L050GRA-C)  
 For Chrome Plated Locknuts add suffix **CP**. (i.e. L050GR-CP)  
 For 316 Stainless Steel Locknuts add suffix **SST**. (i.e. L050GRSST).

