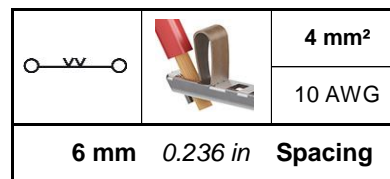
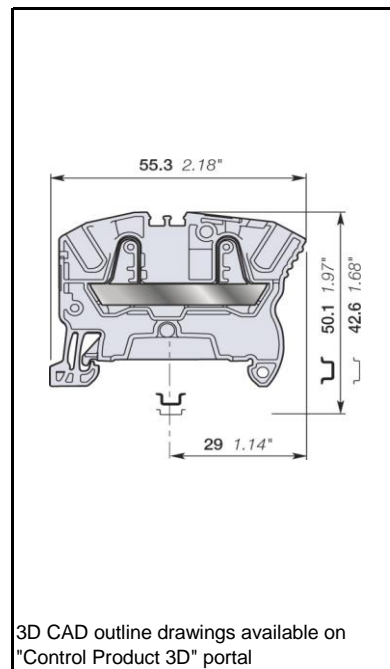
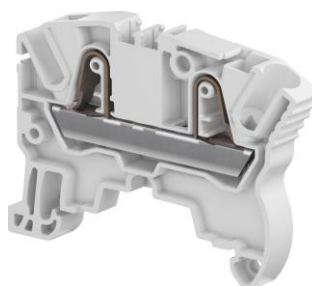


ZK4 PI-Spring Terminal Blocks Feed-through

Combine high performance with compact dimensions:

- 1000 V AC / DC IEC 600 V UL,
- Opt for the best marking visibility thanks to the up-front, flat marker zone, which lets you mark up to eight digits or increase the font size.



Ordering Details

Color	Type	Order Code	EAN Code	Pack ^(mg)	Weight (1 pce) g
Grey	ZK4	1SNK706010R0000	3472597060106	50	7.90
Blue	ZK4-BL	1SNK706020R0000	3472597060205	50	7.90
Orange	ZK4-OR	1SNK706030R0000	3472597060304	50	7.90

Declarations and Certificates

CE	CB	RoHS	UL US ULR CNR	SA	EAC Ex	ATEX	IECEx	
						ATEX Declaration		
	Haz Loc	BV		DNV				

Declarations and Certificates

	CE	1SND225104U10*
	CB	1SND162016A02*
	RoHS	1SND230535F02*
	USR CNR	1SND162012A02*
		1SND162012A02*
	CSA	1SND162014A02*
	EAC Ex	
	ATEX	1SND162009A17*
	IECEX	1SND162010A17*
	USR CNR Haz Loc	1SND162024A02*
	BV	1SND162013A02*
	DNV	1SND162023A02*
Atex Declaration	Atex Declaration	1SND225085C10*

Explosive Atmosphere: ATEX Classification

Group Category	Protection Method
IM2 II 2 GD Ex eb I/IIC/IIIC	Ex e: increased security
In the presence of explosive dust atmosphere, terminal blocks are to be installed in certified enclosure II 2D	

General Information

The following information must be strictly adhered to in order to guarantee the terminal block electrical, mechanical and environmental performance.

Protection	IEC 60947-1	IP20		NEMA 1				
Rail		TH 35-7.5, TH 35-15						
Wire stripping length		12.5 mm	0.492 in					
		Screw clamp		Screw rail contact (Maximum value)		Disconnect device		
Operating tool		Flat screwdriver						
		3.5 mm	0.138 in					

Material Specifications

Insulating material	Polyamide
CTI	600 V
Flammability	UL94 V0
	NF F 16101 I2F2
	Needle flame test: C 60615-11-5
	Compliant

Connecting capacity per clamp

		PI Spring			
1 Rigid - Solid / Stranded conductor	Norme	IEC60947-7-1	UL1059		
	Value	0.5 ... 6 mm ²	26 ... 10 AWG		
1 Flexible conductor	Norme	IEC60947-7-1			
	Value	0.5 ... 4 mm ²			
1 Flexible conductor with non insulated ferrule	Norme	Manufacturer data	Manufacturer data		
	Value	0.5 ... 4 mm ²	26 ... 12 AWG		
1 Flexible conductor with insulated ferrule	Norme	Manufacturer data	Manufacturer data		
	Value	0.5 ... 4 mm ²	26 ... 12 AWG		
Gauge		2.9 mm Dia.			
		IEC 60947-1			
Ferrule maximum outer diameter or conductor insulation maximum outer diameter		Max.	Manufacturer data	5.35 mm	0.187 in

The "Connecting capacity with ferrule" data is guaranteed with ABB crimping tool PS-3 (crimping capacity up to 10 mm²).

As part of its on-going product improvement, ABB reserves the right to modify the characteristics or the products described in this document. The information given is not contractual. For further details please contact the ABB company marketing these products in your country.

Vibrations and shocks

Sinusoidal vibrations	Conditions	IEC 60068-2-6	Compliant
		Frequency range	5 ... 100 Hz
		Number of cycles	1
		Acceleration	7 m/s ²
Functional random vibrations Category 1 Class B 3 axes	Conditions	IEC 61373	Compliant
		Duration of test	20 mn
		Frequency range	5 ... 150 Hz
		Acceleration	1 m/s ²
Long life testing at increased random vibrations Category 1 Class B 3 axes	Conditions	IEC 61373	Compliant
		Duration of test	5 h
		Frequency range	5 ... 150 Hz
		Acceleration	5,7 m/s ²
Shock Category 1 Class B 3 axes	Conditions	IEC 61373	Compliant
		Duration of test	30 ms
		Acceleration	5 G

ZK4 Terminal Block Accessories Compatibility

Some accessories may modify the terminal block's rating. See complete information in the accessories catalog page.

Description	Type	Order Code	Pack ^(mg) pieces	Weight g (1 pce)
1 Terminal Block Markers	MG-CPM 13	1SNB041791R0612	1680	0.273
	MC512	1SNK140000R0000	22	9.00
	MC512-YL	1SNK140004R0000	22	9.00
	MC512PA	1SNK149999R0000	20	10.00
	MC612	1SNK150000R0000	22	10.00
	MC612-YL	1SNK150004R0000	22	10.00
	MC612PA	1SNK159999R0000	20	11.00
	PROCAP5	1SNK900609R0000	20	0.70
	UMH	1SNK900611R0000	10	0.20
	PROCAP6	1SNK900612R0000	20	0.80
	SAT6	1SNK900615R0000	5	6.00
2 Mounting Rails	PR3.G2	1SNA164800R0300	2	718.00
	PR4	1SNA168500R1200	2	915.00
	PR5	1SNA168700R2200	2	700
	PR30	1SNA173220R0500	2	328.00
	PR3.Z2	1SNA174300R1700	2	718.00
	PR50	1SNA178529R0400	2	1288.00
	3 End Sections	EK2.5	1SNK705910R0000	20
4 End Stops	BAM4	1SNK900001R0000	50	14.00
	BAZ1	1SNK900002R0000	50	5.30
	BAZH1	1SNK900102R0000	20	24.00
5 Circuit Separators	CS-R1	1SNK900103R0000	20	5.20
	CS-R2	1SNK900106R0000	20	3.80
	CS-R3	1SNK900107R0000	20	6.40
6 Test Connectors	TC5-R1	1SNK900201R0000	10	5.20
7 Test Adapters	TP2	1SNK900203R0000	20	1.70
	TP4	1SNK900205R0000	20	2.40
8 Cross Spacing Jumpers	JB85-3	1SNK900603R0000	10	2.80
9 Tools	PS-3	1SNK900650R0000	1	380.00
		1SNK900659R0000		
10 Jumper Bars	JB6-2	1SNK906302R0000	50	1.30
	JB6-3	1SNK906303R0000	50	2.10
	JB6-4	1SNK906304R0000	50	2.90
	JB6-5	1SNK906305R0000	50	3.60
	JB6-10	1SNK906310R0000	20	7.40
	JB6-50	1SNK906350R0000	10	38.10
11 Spacers	ES-TC6	1SNK900105R0000	10	0.80

As part of its on-going product improvement, ABB reserves the right to modify the characteristics or the products described in this document. The information given is not contractual. For further details please contact the ABB company marketing these products in your country.