

ATF7415

15W LED Track Head Track Lighting



* Only available for 3000 K



Job Information	
Project Name	
Type	
Location	
Quantity	
Date	

Description

The ATF7415 is a 15W high powered, Energy Star® approved LED track fixture specially designed for task and accent lighting. Available black, silver and white finishes.

Features

Body

Constructed of aluminum, the body features an aesthetically pleasing smooth cylindrical shape. The body included a colour matching aluminum heat sink in order to provide maximum heat dissipation.

Beam Spread

The fixture is available in a 15°, 20°, 38° and 60° beam angles.

Dimming

The track fixture is dimmable when used with TRIAC dimming controls (Consult factory for compatible dimmers).

Adjustability

Adjustable up to 90° tilt and 330° rotation to allow for spotlight into multiple directions.

LED Characteristics

High powered 15W CREE® CXA1512 LED array maintains uniform intensity with a typical luminous flux up to 1400 lumens, making it a suitable replacement for 55W PAR38 halogen and 22W PAR20 CMH lamps; with a CRI of 80 and 90. Available in 3000 K, 3500 K and 4000 K correlated color temperature.

Compatibility

Fixture is provided with A-Line connector which is compatible with Juno style track. For other connector configurations (Halo, Liteline), please contact your A-Line representative.

QuickShip In-Stock

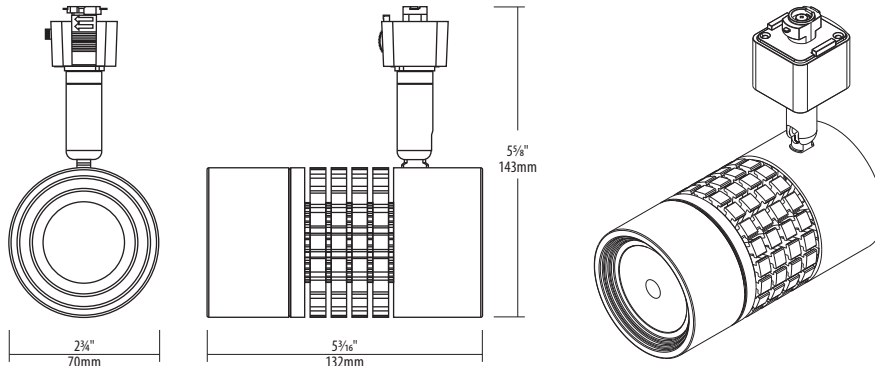
In-Stock products ship within two business days of an order being released.*



SPECIFICATION

Application	Track
Approved Location	Dry
Beam Angle	15° / 20° / 38° / 60°
CBCP	2853
CCT	3000 K / 3500 K / 4000 K
Certification	cULus
Colour	BK / WH
CRI	80 / 90
Dimming	Yes
Dimming Tech	TRIAC
Energy Star®	Yes
LM79	Yes
LM80	Yes
Lumen Maintenance	70% @ 50,000 Hrs
Lumens	1160 / 1160 / 1240
Lumens (90CRI)	1400 (only 3000 K)
Lumens per Watt	77.3 / 77.3 / 82.6
Primary Voltage	120
Rotation	330°
Tilt	90°
Warranty	5 Years
Wattage	15

Technical Drawings



Ordering Guide

Connector Type	Color Temp.	CRI	Beam Spread	Finish Color
<input type="checkbox"/> - ATF7415 -	<input type="checkbox"/>	<input type="checkbox"/>	<input type="checkbox"/>	<input type="checkbox"/>
Blank : A-Line or Juno	30 : 3000 K 35 : 3500 K 40 : 4000 K	Blank : 80CRI 90 : 90CRI ¹	38 : 38° 15 : 15° 20 : 20° 60 : 60°	BK : Black WH : White



Highlighted option denotes QuickShip.

Accessories



ATF7415-HC

Honeycomb accessory for ATF7415 series. Available in black or white body.



ATF7415-SN

Snoot accessory for ATF7415 series. Available in black or white body.

¹ 90 CRI only available in 3000 K.

* QuickShip option is available on orders of 100 pieces or less. QuickShip lead time may vary for orders greater than 100 pieces. No additional shipment rates apply. Subject to availability.

Notes: For additional options please consult your A-Line Lighting representative. Juno is a registered trademark of Juno Lighting Group. Halo is a registered trademark of Cooper Lighting. Due to our continued efforts to improve our products, product specifications are subject to change without notice.

Photometry

ATF7415-3038 : LED TRACK HEAD, 15W, 3000 K, 38° Beam Spread

Zonal Lumen Summary

Zone	Lumens	% Luminaire
0-30	972.8	84%
0-40	1,079.6	93.2%
0-60	1,141.9	98.6%
60-90	16.3	1.4%
70-100	4.8	0.4%
90-120	0	0%
0-90	1,158.2	100%
90-180	0.0	0%
0-180	1,158.2	100%

