

ATF7425

25W LED Track Head Track Lighting



* Only available for 3000 K



Job Information	
Project Name	
Type	
Location	
Quantity	
Date	

Description

The ATF7425 is a 25W high powered, Energy Star® approved LED track fixture specially designed for task and accent lighting. Available black, silver and white finishes.

Features

Body

Constructed of aluminum, the body features an aesthetically pleasing smooth cylindrical shape. The body included a colour matching aluminum heat sink in order to provide maximum heat dissipation.

Beam Spread

The fixture is available in a 15°, 25° and 38° beam angle.

Dimming

The track fixture is dimmable when used with TRIAC dimming controls (Consult factory for compatible dimmers).

Adjustability

Adjustable up to 90° tilt and 330° rotation to allow for spotlight into multiple directions.

LED Characteristics

High powered 25W CREE® CXA2520 LED array maintains uniform intensity with a typical luminous flux up to 2375 lumens, making it a suitable replacement for 100W halogen and 39W PAR20 CMH lamps; with a CRI of 80. Available in 3000 K, 3500 K and 4000 K correlated colour temperature.

Compatibility

Fixture is provided with A-Line

connector which is compatible with Juno style track. For other connector configurations (Halo, Liteline), please contact your A-Line representative.

QuickShip In-Stock

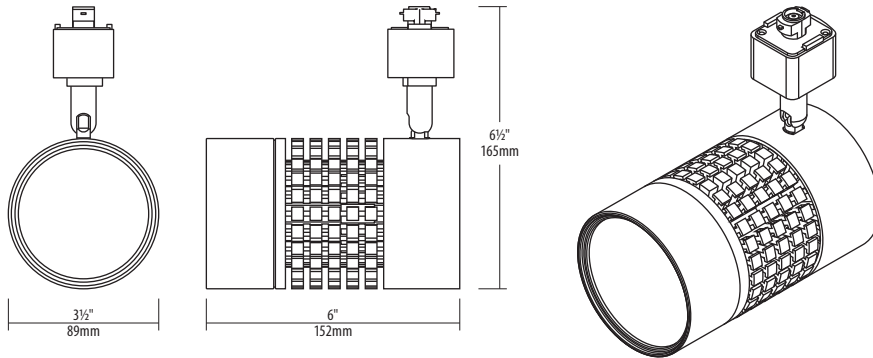
In-Stock products ship within two business days of an order being released.*



SPECIFICATION

Application	Track
Approved Location	Dry
Beam Angle	15° / 25° / 38°
CBCP	3837
CCT	3000 K / 3500 K / 4000 K
Certification	cULus
Colour	BK / SL / WH
CRI	80
Dimming	Yes
Dimming Tech	TRIAC
Energy Star®	Yes
LM79	Yes
LM80	Yes
Lumen Maintenance	70% @ 50,000 Hrs
Lumens	2250 / 2250 / 2375
Lumens per Watt	90 / 90 / 95
Primary Voltage	120
Rotation	330°
Tilt	90°
Warranty	5 Years
Wattage	25

Technical Drawings



Ordering Guide

Connector Type	Color Temp.	Beam Spread	Finish Color
<input type="checkbox"/> - ATF7425 -	<input type="checkbox"/>	<input type="checkbox"/>	<input type="checkbox"/>
Blank : A-Line or Juno H : Halo LL : Liteline	30 : 3000 K 35 : 3500 K 40 : 4000 K	38 : 38° 15 : 15° 25 : 25°	BK : Black SL : Silver WH : White



Highlighted option denotes QuickShip.

Accessories



ATF7425-HC
Honeycomb accessory for ATF7425 series. Available in black or white body.



ATF7425-SN
Snoot accessory for ATF7425 series. Available in black or white body.

* QuickShip option is available on orders of 100 pieces or less. QuickShip lead time may vary for orders greater than 100 pieces. No additional shipment rates apply. Subject to availability.

Notes: For additional options please consult your A-Line Lighting representative. Juno is a registered trademark of Juno Lighting Group. Halo is a registered trademark of Cooper Lighting. Due to our continued efforts to improve our products, product specifications are subject to change without notice.

Photometry

ATF7425-3038-WH : LED TRACK HEAD, 25W, 3000 K, 38° beam spread, white

Zonal Lumen Summary

Zone	Lumens	% Luminaire
0-30	1,844.4	73.6%
0-40	2,162.7	86.3%
0-60	2,408.9	96.1%
60-90	90.6	3.6%
70-100	33.1	1.3%
90-120	0.9	0%
0-90	2,499.4	99.7%
90-180	8.0	0.3%
0-180	2,507.4	100%

