



# SPECIFICATION DATA

An electric radiant heating mat constructed of a heating wire embedded and bonded in a durable porous fabric in a pre-configured pattern that provides consistent warmth at 12 watts per square foot, for tile and stone floors and counters. Heating mats are available in both 120V and 240V standard sizes as well as full custom shapes up to 196 square feet for a single mat.

This product is intended for use under tile and stone only.

## GENERAL INFORMATION

1. NUHEAT MAT is an electrical radiant floor warming system designed to zone warm tile and stone floors.
2. NUHEAT MAT is specified in areas where zone warming increases the energy efficiency of the living space such as bathrooms, kitchens, family rooms, entryways, mudrooms and laundry areas.
3. NUHEAT MAT has a 25-year warranty.

## PRODUCT APPROVALS:

UL listed and CSA approved.

## NUHEAT MAT SPECIFICATIONS

1. NUHEAT manufactures both standard and custom mats in 120V or 240V.
2. Standard mats in 120V are available in over 60 sizes from 7 ½ sq. ft. to 96sq. ft. Standard mats in 240V are available from 14sq. ft to 96sq. ft.
3. Custom mats are available in three days plus shipping from signed shop drawings.
4. NUHEAT is manufactured to produce 12 watts per square foot or 41 BTU per sq. ft. The consistent wire spacing (1.5" to 1.75") reduces site irregularities in heat and eliminates cold spots.
5. The NUHEAT MAT is water resistant and has a 1/8" profile.
6. The polyester material that covers the mat is manufactured to keep the wires in place therefore keeping the wire spacing and heat consistent.

## HEATING WIRE CONSTRUCTION:

Resistive wire of copper or copper alloy construction insulated with ETFE Tefzel coating of 15/1000 inches minimum. Gauge of wire varies from 21 to 30 AWG depending on required resistance. A stainless steel ground braid with a minimum of 85% coverage covers the Tefzel coated wire.

## COLD LEAD CONSTRUCTION:

TEW Wire (UL Style #1569) with a stainless steel ground braid with a minimum of 85% coverage rated for 105 degree C and 300V maximum.

## FABRIC & BONDING FILM:

A bi-component filament, thermally bonded, isotropic fabric with a weight of 80 grams per square meter.

The bonding film is a 0.00075 in. clear, Hi-Clarity, LDPE/LLDPE Singlewound sheeting w/Adhesive and Corona treat outside.

## FLOOR CONTROL

To increase the zone warming efficiency of NUHEAT specify a floor sensing thermostat that has a:

- Timer
- Controllable temperature
- Four programs per day
- Floor-sensor or thermocouple that ensures the power cycles once it reaches temperature
- Probe wire has a temperature rating of 80 degree C
- Built-in GFCI



## SPECIFYING NUHEAT

Division 9 Finishes - 09300

Division 16 Electrical

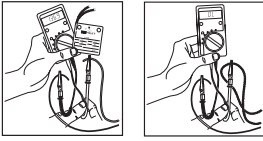
CSI Spec available upon request.

## TECHNICAL SERVICES

Technical questions, contact Nuheat at 1-800-778-9276 or find us at [www.nuheat.com](http://www.nuheat.com). NUHEAT manufacture's representatives are available in Vancouver, San Francisco, Los Angeles, Chicago, Toronto, Detroit, New York, Philadelphia.

# INSTALL • DATA

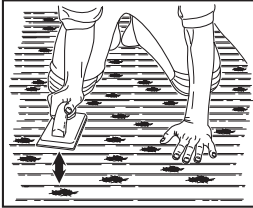
## 1 Test NUHEAT MAT



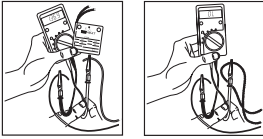
## 2 Prepare sub-floor

## 3 Lay layer of thinset

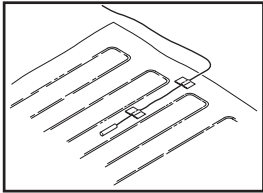
## 4 Lay NUHEAT MAT



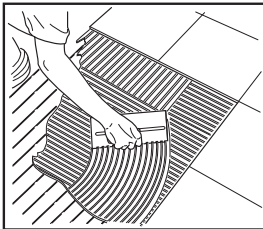
## 5 Test NUHEAT MAT



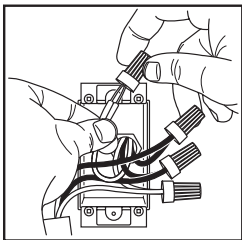
## 6 Install Floor-Sensing Probe



## 7 Install tile

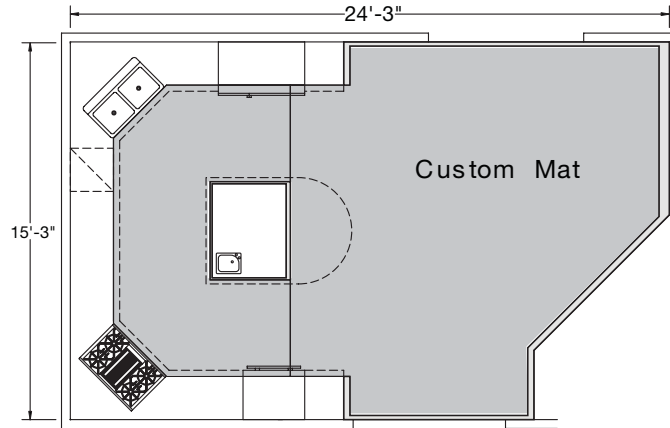
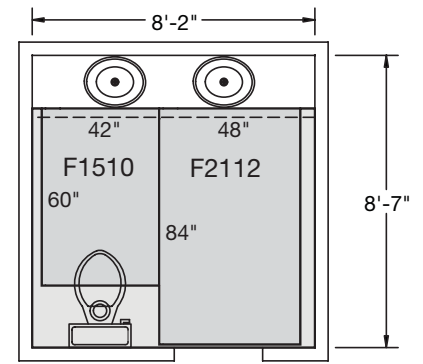
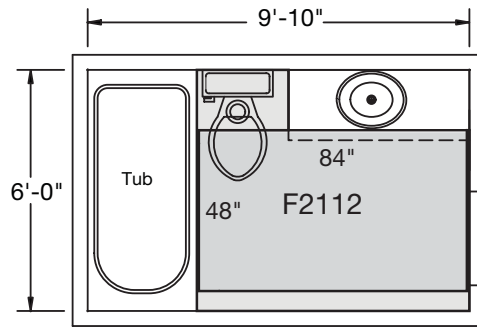


## 8 Make final connection

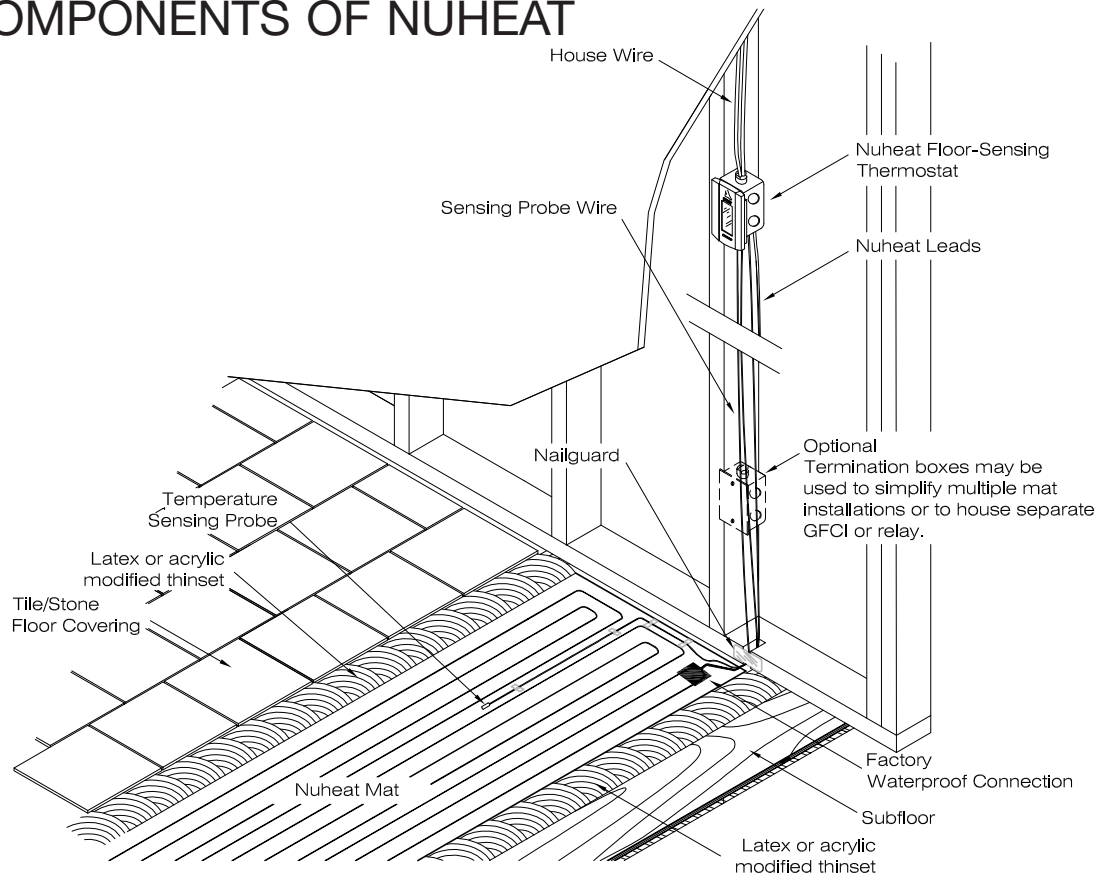


## 9 Before activating NUHEAT MAT allow thinset to cure according to manufacturer specifications.

# LAYOUT EXAMPLES



# COMPONENTS OF NUHEAT



1 (800) 778-9276 • [www.nuheat.com](http://www.nuheat.com)