

# SLD

## STEEL BATTERY UNIT

Project: \_\_\_\_\_  
 Type: \_\_\_\_\_  
 Catalogue #: \_\_\_\_\_  
 Drawn by: \_\_\_\_\_  
 Date: \_\_\_\_\_

The SLD series of commercial steel battery units is designed to provide efficient and reliable emergency lighting. Utilizing a sturdy, all steel housing, the SLD presents a modern and unobtrusive design. On higher capacity models, the cabinet front is sloped to allow better internal access and superior low angle light distribution. The SLD series is available in 24VDC versions in a range of wattage capacities up to 720W, for 30 minutes duration. Units are typically supplied with two top mounted PAR18 however a wide range of head type, number and placement are available including MR16 type. The SLD can also accommodate a wide variety of options, including auto-testing self-diagnostics and remote testing.

### FEATURES AND SPECIFICATIONS

**• Circuitry**

- 120/347 or 277VAC 60Hz Input
- High efficiency, rapid recovery, precision control charging system
- 24VDC emergency power output versions (as specified)
- Wattage capacities up to 720W
- 30 Minutes emergency power duration standard
- Momentary push button test switch
- Diagnostic/pilot LEDs for AC ON and CHARGE
- Fully automatic, current limited charger
- Line latched, low voltage protection
- Solid state design and construction
- Brownout and short circuit protection
- Temperature compensated
- Complete battery recharge in 24 hours
- Maintenance free, sealed lead acid battery
- Optional automatic-testing, self-diagnostic charger board:
  - Continuously monitors the operational status of the battery unit

- Automatically performs battery and lamp load testing at preset intervals
- Indicates any component malfunctions or automated test failures

**• Mechanical**

- Rugged steel cabinet with ultraguard rust-coating
- 120VAC line cord supplied standard
- Universal spider knockout pattern and keyhole mounting slots stamped into back of cabinet
- Multiple conduit entry knockouts
- White powder coat finish standard, other finishes and Colours optional
- Lamp heads include PAR18 small style and die cast metal MR16 type
- Top head mounting is standard, side mount is optional

**• Approval**

- CSA Certified to C22.2 #141-15

**• Compliance**

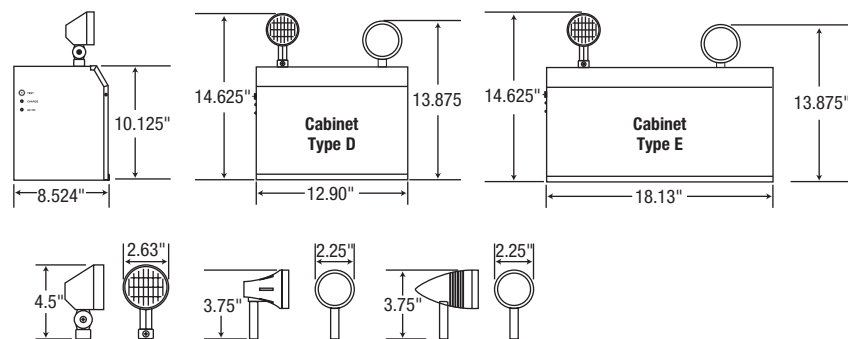
- Meets requirements of ICES-005



ICES  
005



### DIMENSIONS



**TYPE N - PAR18**

Thermoplastic  
18W max.

**TYPE S - MR16**

Die cast  
20W max.

**TYPE M - MR16**

Die cast  
20W max.

### OVERVIEW

Input voltage	120/347 or 277VAC
Output voltage	24VDC
Output power	Up to 720W

**ORDERING GUIDE**

<b>SLD</b>	<b>24</b>			—				/	
Series	Voltage	Wattage	Battery	Head/Lamp	Lamp type	Colour	Input voltage	Options <sup>†</sup>	
SLD	24 - 24VDC	See model rating below	Blank - Regular HP - High power factor	00 - No Heads 1N - One PAR18 2N - Two PAR18 1S - One MR16 2S - Two MR16 1M - One MR16 2M - Two MR16	See lamp list below	WH - White (standard) BK - Black GY - Grey	Blank - 120/347V E - 277V	AT, TD*, LD, BD, V, A, ACTB, DCTB, FD4, RDS*, OBM, TLP, CT, TP, MTS, WG, IRT, IRC	

† For detailed options descriptions, please consult the options page.  
\* Specify AC voltage.

**LAMP SELECTION**

24 volts	
PAR18 • Small head or LED lamp	
LED	4LR, 5LA, 6LA, 7LA
Quartz halogen	12Q
Tungsten	09T, 18T
MR16 • Small head c/w MR16 or LED lamp	
LED	4LR, 5LA, 6LA, 7LA
Quartz halogen	10Q, 12Q, 20Q

**Note:** Due to cabinet/space limitations, not all options are available for all models in any given combination. Please consult with your factory representative regarding specific options and exact cabinet dimension information.

**MODEL RATINGS**

Wattage capacities					
Model	Voltage	30 min.	60 min.	90 min.	120 min.
SLD24350	24V	350	175	116	87
SLD24550	24V	550	275	183	137
SLD24720	24V	720	360	240	180

**Comments**

All products are subject to change or may be discontinued any time without notice.