

PHILIPS
Day-Brite
CFI

Linear

SV strip

2', 3', 4', or 8'
 T5 or T5HO



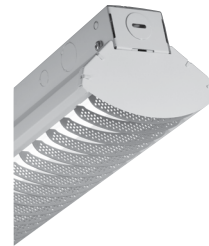
SV T5 Strip



SV T5 Strip with lens accessory



SV T5 Strip with symmetric reflector accessory



SV T5 Strip with louver accessory

Project: _____

Location: _____

Cat.No: _____

Type: _____

Lamps: _____ Qty: _____

Notes: _____

The Philips Day-Brite / Philips CFI SV strip utilizes compact, efficient T5 or T5HO lamps and is available in 2', 3', 4' and 8' nominal lengths. Lens and louver accessories are available for 4' or 8' models, and reflector accessories are available for all models.

Ordering guide

Example: SV4S228UNV-1/2-EB

Family	Nominal length	Ceiling type	Lamp quantity/ cross section	Lamp Type (by others)	Voltage	Options
SV		S			—	
SV Strip T5	2 nominal 22" 3 nominal 34" 4 nominal 46" 8 nominal 92" (tandem lamps)	S Surface	1 2	14 14WT5 (22") 24 24WT5HO (22") 21 21WT5 (34") 39 39WT5HO (34") 28 28WT5 (46") 54 54WT5HO (46")	UNV Universal voltage 120-277V 120 120V 277 277V 347 347V	1/1 One 1-lamp ballast 1/2 One 2-lamp ballast 1/4 One 4-lamp ballast 2/2 Two 2-lamp ballasts EB Electronic ballast, <10% THD E7LP* LP550 emerg. ballast, 430-700 lumens, 120/277V E6LP* LP600 emerg. ballast, US or Canada market, 750-1325 lumens, 120/277V GLR Fusing, fast blow Power-Connect modular wiring – see sheet 1604-OA. *46" or 92" models only

Reflector only (order separately, 2', 3', or 4' – order two 4' reflectors for 8' tandem unit)

Example: SV5R1W4SSLD

Reflector type	Reflector style	Finish	Reflector length	Light distribution	Reflector type
SV5R	1				
SV5R Reflector for SV Strip T5	1	W White S Specular	2 22" 3 34" 4 46" (order two 4' reflectors for tandem models)	S Symmetric A Asymmetric	SLD Solid SLT Slotted (white only) PER Microperforated (white only)

Lens or louver with reflector (order separately, 4' only – order two for 8' tandem unit)

Example: SV5CLW4SSLD

Family	Lens/Louwer style	Finish	Reflector length	Reflector design	Reflector style
SV5		W	4	S	
SV5 Lens or louver accessory for SV Strip T5	CL Clear linear lens FL Frosted linear lens LV Perforated white blade louver LW Solid white blade louver LG Solid grey blade louver LH Perforated grey blade louver XX No optic, reflector only	W White	4 46" (order two 4' units for tandem models)	S Symmetric	SLD Solid SLT Slotted PER Perforated



SV Strip

2', 3', 4', or 8', T5 or T5HO

Features

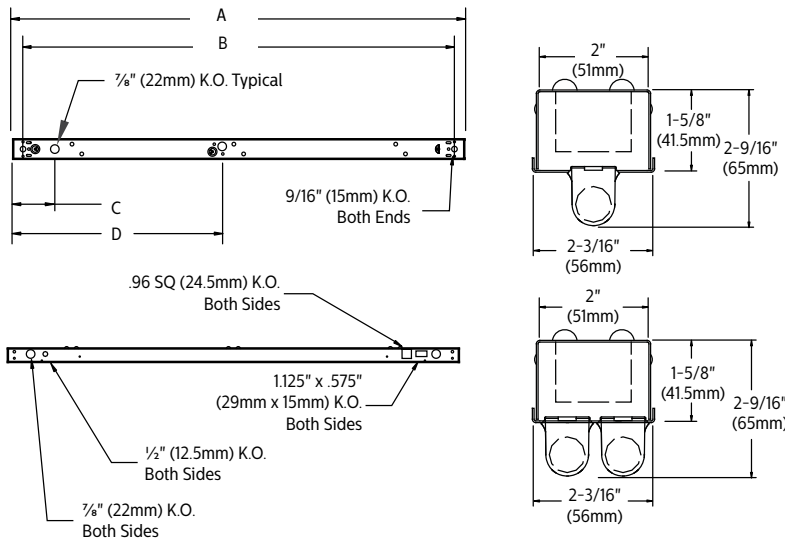
- Channel is only 2" wide and 1-5/8" deep.
- Utilizes compact efficient T5 or T5HO lamps.
- Fully enclosed wiring.
- Lens and louver accessories (order separately, SV5 nomenclature): clear linear lens, frosted linear lens, perforated white or grey baffle, solid white or gray baffle – these options include your choice of perforated, slotted, or solid white reflector. Available for 4' units only – order (2) 4' units for tandem model.
- Efficiency with lens accessory 90.6% (based on one 54WT5HO with clear linear lens and perforated reflector). Efficiency with louver accessory is 86.1% (based on two 28WT5 with perforated louver blades and perforated reflector).
- Straight reflector accessories (order separately, SV5R nomenclature): white or specular, asymmetric or symmetric – perforated, slotted, or solid. Available for 2', 3', and 4' units – order (2) 4' units for tandem model.

- Available lens/louver style reflector (SV5XXW4S family) offers a nice visual alternative to the standard straight blade reflector when used without the lens/louver option.
- Push through lamp holders with rotor for secure lamp retention.
- Surface, pendant, or cable mounting.
- Suitable for continuous row mounting with or without reflector/lens/louver accessories.

Specifications

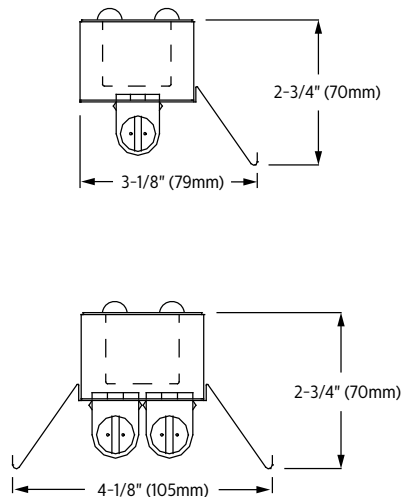
- **Materials:** Chassis parts are die-formed code gauge cold rolled steel.
- **Finish:** Chassis exterior—phosphate undercoating, baked white acrylic high reflectance paint finish.
- **Electrical:** HPF, thermally protected class "P" ballast. If K.O. is within 3" of ballast, use wire suitable for at least 90°C.
- **Labels:** cULus listed. Suitable for damp locations.

SV Strip dimensions



Nominal Length	A	B	C	D
92"	92-1/4" (2343mm)	90-3/16" (2291mm)	4-1/4" (108mm)	44-7/16" (1129mm)
46"	46-1/8" (1172mm)	44-1/16" (1119mm)	4-1/4" (108mm)	21-3/8" (543mm)
34"	34-1/4" (870mm)	32-3/16" (818mm)	4-1/4" (108mm)	N/A
22"	22-7/16" (570mm)	20-3/8" (518mm)	4-1/4" (108mm)	N/A

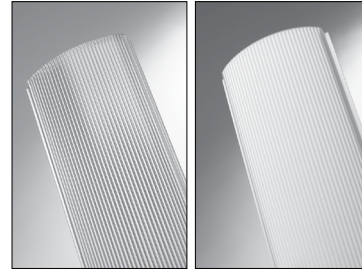
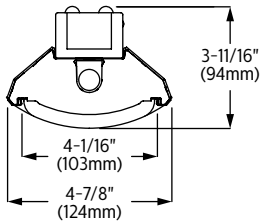
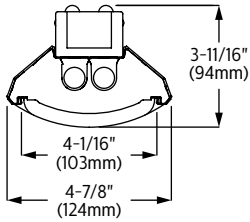
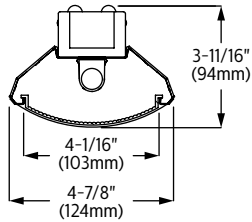
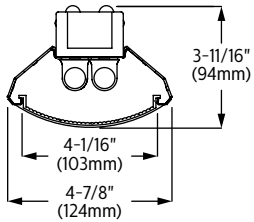
Reflector only (SV5R) dimensions



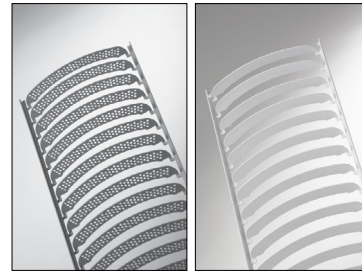
SV Strip

2', 3', 4', or 8', T5 or T5HO

Lens/louver with reflector (SV5) dimensions

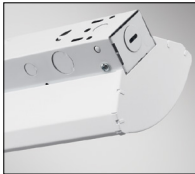


CL = Clear Linear Lens FL = Frosted Linear Lens



LH = Perforated Grey Blade LW = Solid White Blade

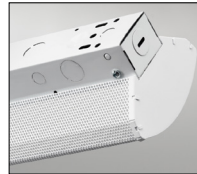
Unique patterned perforations create consistency in design which is appealing to the eye.



Solid Reflector



Slotted Reflector



Perforated Reflector

Options/Accessories



Stems and Canopies:

Two per luminaire are recommended.

Catalog Number:

- CS-400** Rigid stem canopy (one)
- CS-500** Swivel stem canopy (one)
- CS series stems** CS-12 for 12", CS-18 for 18", etc.



Chain Hanger Kit:

Includes two 5' heavy duty link chains with sturdy "V" hooks for fixture suspension.

Catalog Number: **FKR-126**

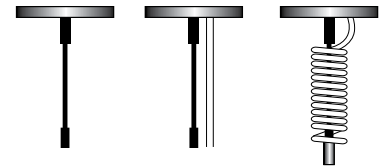


Wire Guard:

Galvanized wire guard. Catalog number:

Catalog Number

- SV5XG2** For SV Strip T5 22"
- SV5XG3** For SV Strip T5 34"
- SV5XG4** For SV Strip T5 46"
- SV5G1W3S** For SV5R Symmetric 34"
- SV5G1W4S** For SV5R Symmetric 46"



Cable Hanger Kit:

Two per luminaire are recommended.

Catalog Number:

- ACH48** 48" adjustable cable hanger kit (one)
- ACH48-SC** 48" adjustable cable hanger kit with white straight power cord (one)
- ACH48-CC** 48" adjustable cable hanger kit with white coiled power cord (one)



Some luminaires use fluorescent or high intensity discharge (HID) lamps that contain small amounts of mercury. Such lamps are labeled, "Contain Mercury" and/or the symbol "HG". Lamps that contain mercury must be disposed of in accordance with local requirements. Information regarding lamp recycling and disposal can be found at www.lamprecycle.org