



# SUPER SLOPE CEILING IC HOUSING

Project: \_\_\_\_\_

Fixture Type: \_\_\_\_\_

Location: \_\_\_\_\_

Contact/Phone: \_\_\_\_\_

SUPER SLOPE  
7/12 to 12/12 PITCH (30° to 45°)  
INCANDESCENT LAMPS  
**IC928 SERIES**

## PRODUCT DESCRIPTION

Slope ceiling IC Housing "Air-Loc®" • Energy efficient, sealed inner housing • Double wall housing construction • Can be completely covered with insulation • When used with Air-Loc Gasket, stops infiltration and exfiltration of air, reducing heating and cooling costs.

## PRODUCT SPECIFICATIONS

**Lamp** Lamp ratings based on trim selected – see page 2.

**Socket** Medium base porcelain with nickel-plated copper screw shell  
• Adjustable to position lamp perpendicular to floor.

**Trims** Trim selection shown on page 2.

**Labels** UL listed for through-branch wiring, damp locations and IP  
• Product thermally protected against improper use of lamps  
• Union made • UL Listed/CSA certified • Trim No. 603 is wet location approved for covered ceiling applications.

**Testing** All reports are based on published industry procedures; field performance may differ from laboratory performance. Specifications subject to change without notice.

## INSTALLATION

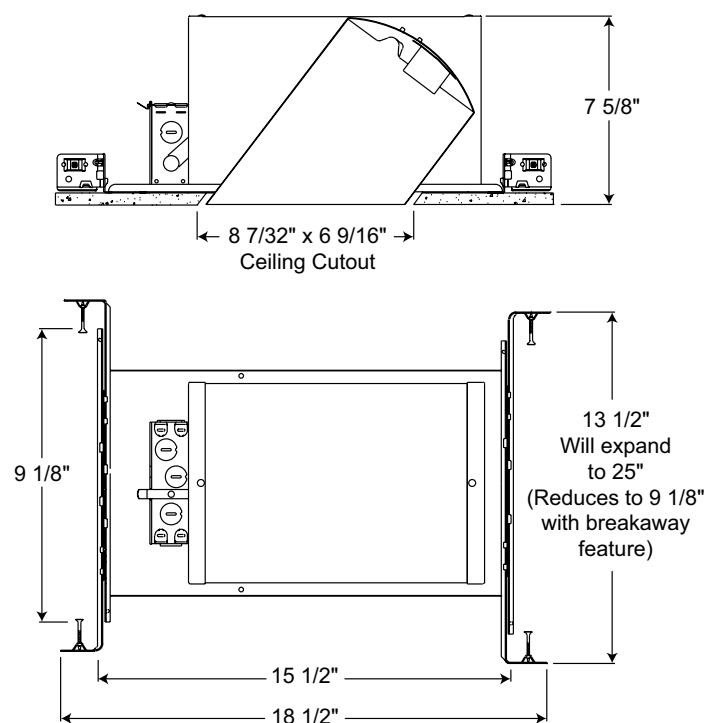
**Real Nail® 3 Bar Hangers** Telescoping, Patented (US Patent D552,969) Real Nail 3 system permits quick placement of housing anywhere within 24" O.C. joists or suspended ceilings • Integral T-bar notch and clip secures housing in suspended ceiling grid – no accessory clips required • 24" expansion stop allows quick placement of fixture in standard grid spacing • Bars scored in two locations for fast, clean breaking, allowing housing installation in tight applications  
• Bars captive to mounting frame • Edge-mounted for extra strength • Captive bugle-headed ring shank nail for quick one-step installation and easy removal with claw hammer for fixture relocation • Quick-Loc slot and oversized locking set screw lock fixture in position • Bar hanger foot contoured to align to bottom of construction joist • Alternate mounting holes included.

**Junction Box** Pre-wired junction box provided with (5) ½" and (1) ¾" knockouts, (4) Non-metallic sheathed cable connectors and ground wire, U.L. listed/CSA certified for through-branch wiring, maximum 8 No. 12 AWG 90° C branch circuit conductors (4 in, 4 out) • Junction box provided with removable access plates  
• Knockouts equipped with pryout slots • **W option** is supplied with **push-in electrical connectors** for fast installation.

**Mounting Frame** 22-gauge die-formed galvanized steel mounting frame • Rough-in section (junction box, mounting frame, housing and bar hangers) fully assembled for ease of installation.

**Housing** IC housing, .032" aluminum sealed for Air-Loc Compliance • Access door for junction box accessibility • Housing is vertically adjustable to accommodate up to a 1" ceiling thickness.

## DIMENSIONS



## Accessories

Catalog Number	Description
ALG928	Air-Loc Gasket

To order, specify catalog number.

## PRODUCT CODES

Catalog Number		Input Voltage	Lamp Rating
IC928	6" Incandescent Super Slope Ceiling New Construction IC Housing	120V	PAR16/PAR30/PAR38 (See page 2 for max. trim rating)
IC928 W	6" Incandescent Super Slope Ceiling New Construction IC Housing with push-in electrical connectors for fast, secure installation	120V	PAR16/PAR30/PAR38 (See page 2 for max. trim rating)





Housing and trim can be ordered together or separate, but will always ship separately.

# SUPER SLOPE CEILING IC HOUSING

SUPER SLOPE  
7/12 to 12/12 PITCH (30° to 45°)  
INCANDESCENT LAMPS

## IC928 SERIES

### TRIMS/LAMPS

Catalog Number	Description	Max. Lamp Rating
 <b>602 CWH</b>	Clear Alzak® Cone, White Trim Ring	75W PAR30, 90W PAR38, 85W BR30
<b>602 GWH</b>	Gold Cone, White Trim Ring	
<b>602 BWH</b>	Black Cone, White Trim Ring	
<b>602 HZWH</b>	Haze Cone, White Trim Ring	
<b>602 HZSC</b>	Haze Cone, Satin Chrome Trim	
<b>602 WWH</b>	White Cone, White Trim Ring	
<b>602 WHZWH</b>	Wheat Haze Cone, White Trim Ring	50W PAR30
<b>602 WHZABZ</b>	Wheat Haze Cone, Classic Aged Bronze Trim Ring	
 <b>603 BWH</b> ◆	Lensed Flat Diffuser Trim, Black Baffle, White Trim Ring	90W PAR38
<b>603 WWH</b> ◆	Lensed Flat Diffuser Trim, White Baffle, White Trim Ring	
 <b>604 BWH</b>	Downlight Black Baffle, White Trim Ring	60W PAR16
<b>604 BSC</b>	Downlight Black Baffle, Satin Chrome Trim Ring	
<b>604 BABZ</b>	Downlight Black Baffle, Classic Aged Bronze Trim Ring	
<b>604 BBL</b>	Downlight Black Baffle, Black Trim Ring	
 <b>604 WWH</b>	Downlight White Baffle, White Trim Ring	60W PAR16
<b>606 BWH</b>	Cylinder Spotlight, Black Baffle, White Trim Ring	
<b>606 WWH</b>	Cylinder Spotlight, White Baffle, White Trim Ring	

Trim Size: Cat. No. 604 - 9<sup>3</sup>/<sub>16</sub>" x 8<sup>3</sup>/<sub>16</sub>" O.D.,  
Cat. No. 606 - 9<sup>1</sup>/<sub>8</sub>" O.D.

Note: In Canada when insulation is present,  
Type IC fixtures must be used.

◆ UL Listed for use in wet location.

Housing and trim can be ordered together or separate,  
but will always ship separately.