

# PRODUCT SPECIFICATIONS

## Optics

**Reflector:** Precision reflector with 55° visual cut-off to both lamp and lamp image  
 • Single position optics eliminate possibility of specified lamp being installed in incorrect position  
 • Low iridescent specular or diffuse Alzak® .050" thick reflector in clear, gold, wheat, pewter or bronze with integral flange of same finish; other finishes available upon request  
 • Painted white flange is optional  
 • V-Flux Miro® specular insert increases efficiency of horizontal CFL models without sacrificing brightness control

**Baffle:** Specular clear Alzak® upper reflector and white or black painted deep multi-groove aluminum baffle insert with integral flange painted white

## Electrical

**Ballast:** Class "P" thermally protected 120V-277V universal voltage high power factor electronic ballast with end of life protection

**Lamp Holder:** 4-pin GX24q UV stabilized thermoplastic socket with non-fatiguing stainless steel lamp retention spring

## Mechanical

**Socket Housing:** Heavy gauge die-formed galvanized steel

**Mounting Frame:** 16-gauge galvanized steel mounting ring with factory installed spring steel friction clips  
 • Accommodates ceilings up to 3/4" thick; ceiling thickness adapter accessory is available for ceilings up to 2"  
 • Common rough-in section accepts open, single wall wash and lensed reflectors

**Mounting Bracket:** Mounting brackets have 3" vertical adjustment and accept proprietary Tru-Lock bar hangers, 1 1/2" C-channel and flat linear bars (ordered as accessories) or 1/2" EMT, 3/4" and 1 1/2" lathing channel (by others)  
 • One-piece Tru-Lock bar hangers have integral T-bar locking screws and alignment notches for locating and locking fixture in the center or 1/4 tile increments

**Junction Box:** Ballast mounted to J-box cover for optimal heat dissipation and serviceability from below the ceiling  
 • Oversized 4"x 6" galvanized steel junction box with (6) 1/2" and (1) 3/4" knockouts facilitate quick wiring  
 • Junction box rated for eight No. 12 AWG 90°C branch circuit conductors (4-in, 4-out)

## Labels and Listings

UL/C-UL listed for feed through and damp locations • I.B.E.W. Union made  
 Specifications subject to change without notice.

## ENGINEERING DATA

Voltage	120V-HPF			277V-HPF			347V-HPF Canada		
Lamp Wattage	26W	32W	42W	26W	32W	42W	26W	32W	42W
Total input power	27W	36W	46W	27W	36W	46W	31W	36W	50W
Operating AMPS	0.23	0.31	0.38	0.10	0.13	0.17	0.09	0.11	0.15
Ballast factor	1.00	0.98	0.98	1.00	0.98	0.98	1.02	0.98	1.00

## ORDERING INFORMATION:

Complete Catalog # Example Includes (Rough-In, option, reflector, accessory): C6HT 126/42T 120 NDB BR OR CS PF HBTL

ROUGH-IN				REFLECTOR*						
SERIES	WATTAGE/LAMP	VOLTAGE	DRIVER	ROUGH-IN OPTIONS			TRIM STYLE	FINISH		TRIM OPTIONS
<b>C6HT</b>										
<b>C6HT</b>	<b>126/42T</b> 1x26W, 32W or 42W Triple, 4-Pin Downlight	<b>120</b> 120 Volt	<b>1 D10</b> Dimming Ballast Advance Mark 10	<b>▲ F</b> Fuse and Fuse Holder	<b>BAF</b> Baffle	<b>CD</b> Clear Diffuse	<b>GD</b> Gold Diffuse	<b>PF</b> White Flange		
	<b>126T</b> 1x26W Triple, 4-Pin	<b>277</b> 277 Volt	<b>D7</b> Dimming Ballast Advance Mark 7	<b>CP</b> Chicago Plenum	<b>OR</b> Open Reflector	<b>CS</b> Clear Specular	<b>GS</b> Gold Specular	<b>ETSH</b> Emergency Test Switch Hole		
	<b>132T</b> 1x32W Triple, 4-Pin			<b>BN</b> Emergency Battery Back-Up w/ Integral Test Switch		<b>BD</b> Black Diffuse	<b>PTD</b> Pewter Diffuse	<b>MAX26</b> Label for 26W Maximum Wattage		
	<b>142T</b> 1x42W Triple, 4-Pin	<b>347</b> 347 Volt	<b>1, 2 DL</b> Dimming Ballast Lutron Compact SE	<b>BR</b> Emergency Battery Pack w/Remote Test Switch		<b>BL</b> Black Baffle	<b>PTS</b> Pewter Specular	<b>MAX32</b> Label for 32W Maximum Wattage		
		<b>MVOLT</b> Multi-Volt (120-277 Volt)	<b>NDB</b> Non-Dimming Electronic Ballast	<b>HBN</b> High-Lumen Emergency Battery Back-Up w/ Integral Test Switch		<b>BS</b> Black Specular	<b>WH</b> White			
				<b>HBR</b> High Lumen Emergency Battery Pack w/Remote Test Switch		<b>BZD</b> Bronze Diffuse	<b>WTD</b> Wheat Diffuse			
						<b>BZS</b> Bronze Specular	<b>WTS</b> Wheat Specular			

<sup>1</sup> 120 and 277 Volt only

<sup>2</sup> Lutron Dimming Ballast is wattage specific (126T, 132T, 142T only)

▲ Specify required voltage, does not accept MVOLT

ACCESSORIES	
ACCESSORY OPTIONS	

<b>HB4</b>	Bar Hanger Conversion Kit for Wooden Joists	<b>INSA6/05</b>	6° Sloped Ceiling Adapter, 5 Degree Angle
<b>HB28</b>	28" C-Channel Bar Hangers, Pair	<b>INSA6/10</b>	6° Sloped Ceiling Adapter, 10 Degree Angle
<b>HB52</b>	52" C-Channel Bar Hangers, Pair	<b>INSA6/15</b>	6° Sloped Ceiling Adapter, 15 Degree Angle
<b>HBTL</b>	25" Tru-Lock Grid Ceiling Bar Hangers, Pair	<b>INSA6/20</b>	6° Sloped Ceiling Adapter, 20 Degree Angle
<b>LB27</b>	27" Linear Bar Hangers, Pair	<b>INSA6/25</b>	6° Sloped Ceiling Adapter, 25 Degree Angle
		<b>INSA6/30</b>	6° Sloped Ceiling Adapter, 30 Degree Angle



# 6" HORIZONTAL CFL DOWNLIGHT

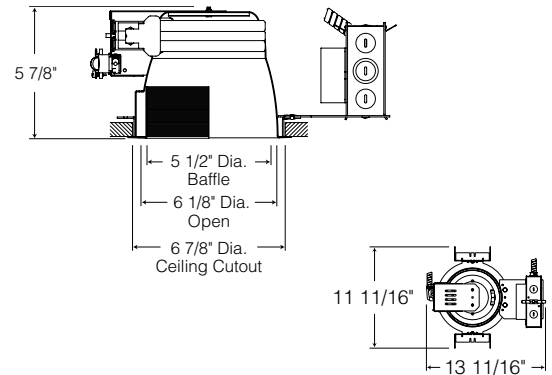
## OPEN APERTURE

One 26, 32 or 42W Triple Tube

### C6HT OR, C6HT BAF

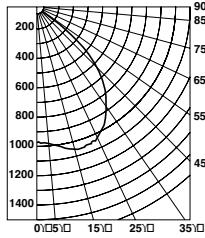
Type	Cat. No.
_____	_____
Project: _____	
Notes: _____	

## DIMENSIONS



### OPEN REFLECTOR (42W TRIPLE TUBE)

Catalog Number: C6HT 126/42T MVOLT NDB (OR CS)  
 PHOTOMETRIC REPORT  
 Test Number: PRO3062199  
 Total Luminaire Efficiency: 64.9%  
 Luminaire Spacing Criteria: 1.35  
 Luminaire: Clear specular Alzak® reflector. Open bottom.  
 Lamps: One OSI CF42DT/E/IN/840, rated at 3200 lumens.  
 CIE-Type: Direct



**Candlepower Distribution**  
(Candelas)

Angle	Candela	Lumens
0°	975	
5°	992	95
15°	1054	299
25°	1017	471
35°	847	532
45°	601	466
55°	222	199
65°	11	11
75°	4	4
85°	2	2

#### Initial Footcandles

Distance to Illuminated Plane (Feet)	Footcandles Beam Center	Footcandles Beam Edge	Beam Diameter
6'	27.1	4.5	13.1'
7'	19.9	3.3	15.3'
8'	15.2	2.6	17.5'
9'	12.0	2.0	19.7'
10'	9.7	1.6	21.9'
11'	8.1	1.4	24.1'
12'	6.8	1.1	26.3'
13'	5.8	1.0	28.4'
14'	5.0	0.8	30.6'
15'	4.3	0.7	32.8'

#### Luminance Data

Ang in Deg	Footlamberts	Candela/M <sup>2</sup>
45	13605	46615
55	6179	21172
65	410	1404
75	235	806
85	379	1297

#### Zonal Lumen Summary

Zone	Lumens	%Lamp	%Fixture
0-30°	864	27.0	41.6
0-40°	1396	43.6	67.2
0-60°	2060	64.4	99.2
0-90°	2078	64.9	100.0
90-180°	0	0.0	0.0
0-180°	2078	64.9	100.0

#### AVERAGE INITIAL FOOTCANDLES

Reflectances: 80% Ceiling, 50% Walls, 30% Floors

Luminaire Spacing	Room Cavity Ratio		
	RCR1	RCR4	RCR8
5' x 5'	91	68	47
6' x 6'	63	47	33
7' x 7'	46	35	24
8' x 8'	36	27	19
9' x 9'	28	21	15
10' x 10'	23	17	12
11' x 11'	19	14	10
12' x 12'	16	12	8

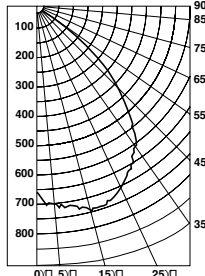
#### COEFFICIENTS OF UTILIZATION - % (Zonal Cavity Method)

Effective Floor Reflectance 20%

PCC	80		70		50		30		10		0							
	70	50	30	10	70	50	30	10	50	30	10	0						
0	77	77	77	77	75	75	75	75	72	72	72	69	69	69	66	66	66	65
1	73	71	69	67	71	69	67	66	67	65	64	64	63	62	62	61	60	59
2	68	64	61	58	66	63	60	57	61	58	56	59	57	55	57	55	54	53
3	63	58	54	51	62	57	53	50	55	52	50	54	51	49	52	50	48	47
4	59	53	48	45	58	52	48	45	51	47	44	49	46	43	48	45	43	42
5	55	48	43	40	54	47	43	40	46	42	39	45	42	39	44	41	38	37
6	51	44	39	36	50	43	39	35	42	38	35	41	38	35	40	37	35	33
7	48	40	35	32	47	40	35	32	39	35	32	38	34	31	37	34	31	30
8	45	37	32	29	44	37	32	29	36	32	29	35	31	29	34	31	28	27
9	42	34	29	26	41	34	29	26	33	29	26	32	29	26	32	28	26	25
10	39	32	27	24	39	31	27	24	31	27	24	30	26	24	30	26	24	23

### OPEN REFLECTOR (32W TRIPLE TUBE)

Catalog Number: C6HT 126/42T MVOLT NDB (OR CS)  
 PHOTOMETRIC REPORT  
 Test Number: PRO3062299  
 Total Luminaire Efficiency: 59.6%  
 Luminaire Spacing Criteria: 1.37  
 Luminaire: Clear specular Alzak® reflector. Open bottom.  
 Lamps: One OSI CF32DT/E/IN/835, rated at 2400 lumens.  
 CIE-Type: Direct



**Candlepower Distribution**  
(Candelas)

Angle	Candela	Lumens
0°	651	
5°	692	66
15°	734	208
25°	696	322
35°	599	376
45°	414	321
55°	136	122
65°	11	11
75°	3	3
85°	2	2

#### Initial Footcandles

Distance to Illuminated Plane (Feet)	Footcandles Beam Center	Footcandles Beam Edge	Beam Diameter
6'	18.1	3.3	12.8'
7'	13.3	2.4	15.0'
8'	10.2	1.8	17.1'
9'	8.0	1.5	19.2'
10'	6.5	1.2	21.4'
11'	5.4	1.0	23.5'
12'	4.5	0.8	25.7'
13'	3.9	0.7	27.8'
14'	3.3	0.6	29.9'
15'	2.9	0.5	32.1'

#### Luminance Data

Ang in Deg	Footlamberts	Candela/M <sup>2</sup>
45	9367	32093
55	3794	12998
65	402	1378
75	182	623
85	368	1260

#### Zonal Lumen Summary

Zone	Lumens	%Lamp	%Fixture
0-30°	596	24.8	41.7
0-40°	972	40.5	68.0
0-60°	1415	59.0	98.9
0-90°	1431	59.6	100.0
90-180°	0	0.0	0.0
0-180°	1431	59.6	100.0

#### AVERAGE INITIAL FOOTCANDLES

Reflectances: 80% Ceiling, 50% Walls, 30% Floors

Luminaire Spacing	Room Cavity Ratio		
	RCR1	RCR4	RCR8
5' x 5'	62	47	33
6' x 6'	43	33	23
7' x 7'	32	24	17
8' x 8'	24	18	13
9' x 9'	19	15	10
10' x 10'	16	12	8
11' x 11'	13	10	7
12' x 12'	11	8	6

#### COEFFICIENTS OF UTILIZATION - % (Zonal Cavity Method)

Effective Floor Reflectance 20%

PCC	80		70		50		30		10		0							
	70	50	30	10	70	50	30	10	50	30	10	0						
0	71	71	71	71	69	69	69	69	66	66	66	63	63	63	61	61	61	60
1	67	65	63	61	65	64	62	60	61	60	59	59	58	57	57	56	55	54
2	62	59	56	53	61	58	55	53	56	54	52	54	52	50	52	51	49	48
3	58	53	50	47	57	53	49	46	51	48	46	49	47	45	48	46	44	43
4	54	49	44	41	53	48	44	41	46	43	41	45	42	40	44	42	40	38
5	50	44	40	37	49	44	40	37	42	39	36	41	38	36	40	38	35	34
6	47	40	36	33	46	40	36	33	39	35	32	38	35	32	37	34	32	31
7	44	37	33	30	43	37	32	29	36	32	29	35	32	29	34	31	29	28
8	41	34	30	27	40	34	30	27	33	29	26	32	29	26	32	29	26	25
9	39	32	27	24	38	31	27	24	31	27	24	30	26	24	29	26	24	23
10	36	29	25	22	36	29	25	22	28	25	22	28	24	22	27	24	22	21