



SUPER SLOPE CEILING TC HOUSING

SUPER SLOPE:

7/12 TO 12/12 PITCH (30° TO 45°)
INCANDESCENT LAMPS

TC928

Project: _____

Fixture Type: _____

Location: _____

Contact/Phone: _____

PRODUCT DESCRIPTION

Slope ceiling TC Housing designed for use in non-insulated areas

- If installed where insulation is present, the insulation must be pulled back 3" from all sides of the TC housing.

PRODUCT SPECIFICATIONS

Lamp Lamp ratings based on trim selected – see reverse.

Socket Medium base porcelain with nickel-plated copper screw shell • Adjustable to position lamp perpendicular to floor.

Trims Trim selection shown on reverse.

Labels U.L. listed for through-branch wiring, damp locations and IP • Product thermally protected against improper use of lamps or insulation • Union made • UL Listed/CSA certified • Trim No. 603 is wet location approved for covered ceiling applications.

Testing All reports are based on published industry procedures; field performance may differ from laboratory performance.

Specifications subject to change without notice.

INSTALLATION

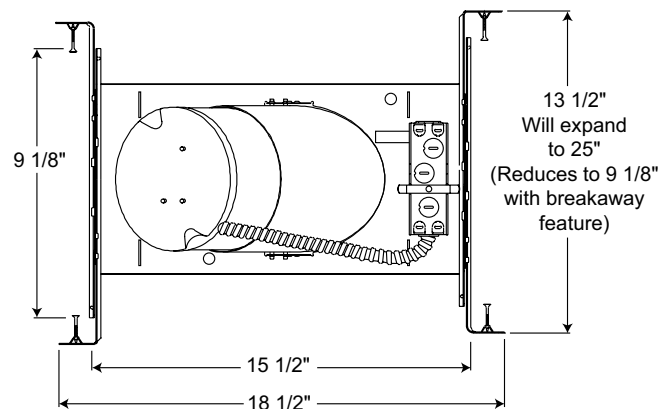
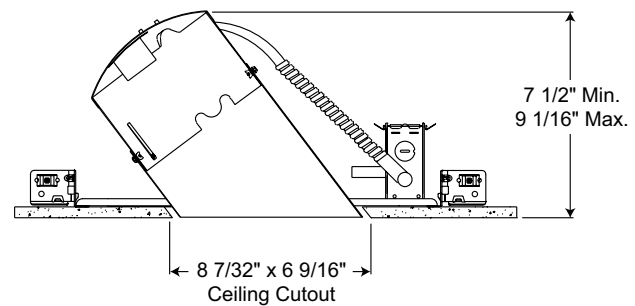
Real Nail 3 Bar Hangers Telescoping, Patented (US Patent D552,969) Real Nail 3 system permits quick placement of housing anywhere within 24" O.C. joists or suspended ceilings • Integral T-bar notch and clip secures housing in suspended ceiling grid – no accessory clips required • 24" expansion stop allows quick placement of fixture in standard grid spacing • Bars scored in two locations for fast, clean breaking, allowing housing installation in tight applications • Bars captive to mounting frame • Edge-mounted for extra strength • Captive bugle-headed ring shank nail for quick one-step installation and easy removal with claw hammer for fixture relocation • Quick-Loc slot and oversized locking set screw lock fixture in position • Bar hanger foot contoured to align to bottom of construction joist • Alternate mounting holes included.

Junction Box Pre-wired junction box provided with (5) 1/2" and (1) 3/4" knockouts, (4) Non-metallic sheathed cable connectors and ground wire, U.L. listed/CSA certified for through-branch wiring, maximum 8 No. 12 AWG 90° C branch circuit conductors (4 in, 4 out) • Junction box provided with removable access plates • Knockouts equipped with pryout slots.

Mounting Frame 22-gauge die-formed galvanized steel mounting frame • Rough-in section (junction box, mounting frame, housing and bar hangers) fully assembled for ease of installation.

Housing TC housing, 22-gauge white painted steel with aluminum cap • Housing is vertically adjustable to accommodate up to a 1" ceiling thickness • Designed to fit 2x8 or 2x10 construction.

DIMENSIONS



PRODUCT CODES

| Catalog Number | Input Voltage | Lamp Rating |
|----------------|-----------------------------------------------------------------|---------------------|
| TC928 | 6" Incandescent Super Slope Ceiling New Construction Non-IC Hsg | 120V PAR16/PAR38 |

Housing and trim can be ordered together or separate, but will always ship separately.

SUPER SLOPE CEILING TC HOUSING





SUPER SLOPE:

7/12 TO 12/12 PITCH (30° TO 45°)

INCANDESCENT LAMPS

TC928

ROUND TRIMS

| | Cat. No. | Description | Lamp Rating |
|-------------------------------------------------------------------------------------|-------------------|-------------------------------------------------------------------------------------|---------------------------------|
|  | 602 BWH | 6" Super Slope Downlight Cone Trim - Black Cone, White Trim Ring | 75W PAR30, 150W PAR38, 85W BR30 |
| | 602 CWH | 6" Super Slope Downlight Cone Trim - Clear Alzak® Cone, White Trim Ring | |
| | 602 GWH | 6" Super Slope Downlight Cone Trim - Gold Cone, White Trim Ring | |
| | 602 HZSC | 6" Super Slope Downlight Cone Trim - Haze Cone, Satin Chrome Trim | |
| | 602 HZWH | 6" Super Slope Downlight Cone Trim - Haze Cone, White Trim Ring | |
| | 602 WHZABZ | 6" Super Slope Downlight Cone Trim - Wheat Haze Cone, Classic Aged Bronze Trim Ring | |
| | 602 WHZWH | 6" Super Slope Downlight Cone Trim - Wheat Haze Cone, White Trim Ring | |
| | 602 WWH | 6" Super Slope Downlight Cone Trim - White Cone, White Trim Ring | |
|  | 603 BWH ◆ | 6" Lensed Flat Diffuser Trim - Black Baffle, White Trim Ring | 75W A19, 75W PAR30 |
| | 603 WWH ◆ | 6" Lensed Flat Diffuser Trim - White Baffle, White Trim Ring | |
|  | 604 BABZ | 6" Downlight Baffle Trim - Black Baffle, Classic Aged Bronze Trim Ring | 150W PAR38 |
| | 604 BBL | 6" Downlight Baffle Trim - Black Baffle, Black Trim Ring | |
| | 604 BSC | 6" Downlight Baffle Trim - Black Baffle, Satin Chrome Trim Ring | |
| | 604 BWH | 6" Downlight Baffle Trim - Black Baffle, White Trim Ring | |
| | 604 WWH | 6" Downlight Baffle Trim - White Baffle, White Trim Ring | |
|  | 606 BWH | 6" Adjustable Cylinder Spotlight in Baffle Trim - Black Baffle, White Trim Ring | 60W PAR16 |
| | 606 WWH | 6" Adjustable Cylinder Spotlight in Baffle Trim - White Baffle, White Trim Ring | |

Trim Size: Cat. No. 604 - 9 3/16" x 8 3/16" O.D., Cat. No. 606 - 9 1/8" O.D.

◆ UL Listed for use in wet location.