



TRAC-MASTER®

Two Circuit Trac System

TRAC SECTION, JOINERS & FEEDS

TU Series

Project: _____

Fixture Type: _____

Location: _____

Contact/Phone: _____

PRODUCT DESCRIPTION

Low profile, two-circuit trac sections for surface or pendant mounting. Provides two separate 20-amp circuits from a single electrical feed or one 20-amp circuit controlled by two switches. I-beam cross section provides added strength and rigidity in pendant suspended applications. Compatible with a full range of feed, connector and mounting accessories, as listed on back of this page, to complete virtually any installation requirement. Accepts all Trac-Master and Trac-Lites trac fixtures, which have a moveable "hot" contact to allow operation using circuit (or switch leg) 1 or 2.

PRODUCT SPECIFICATIONS

Construction Extruded aluminum "1" beam channel • One-piece thermoplastic insulator • Injection molded polycarbonate dead-end with set screw • Standard lengths may be cut-to-length by installer.

Electrical Three 12 gauge solid copper conductors • Each circuit rated 20 amps at 120 volts (40 amps total) • Aluminum channel used as system ground • One-piece insulator insures consistent conductor spacing for reliable electrical contact • Insulating bushings supplied at mounting hole locations to prevent shorts to ground.

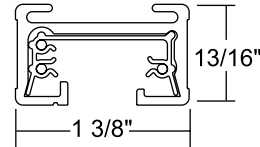
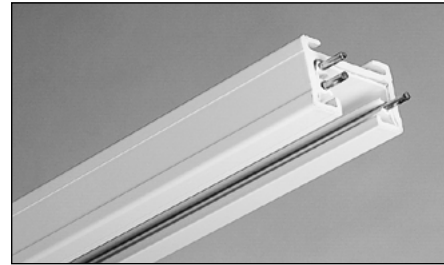
Labels UL listed, CSA certified.

PRODUCT INSTALLATION

Debossed polarity line provides visual cue to proper trac, trac connector and fixture alignment • Supplied with toggle bolts for surface mounting • Integral raceway in top of channel accommodates pendant mounting hardware and wire routing to electrical feed • Insulator stays same length as extrusion to simplify field-cutting of trac • Connectors and feeds simply push into trac sections.

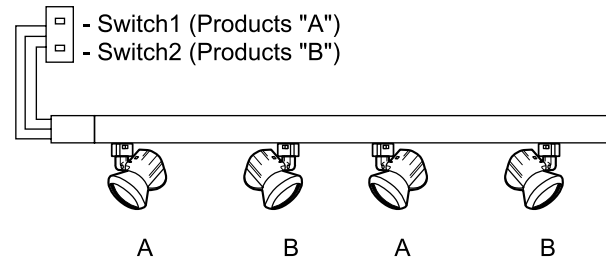
Specifications subject to change without notice.

DIMENSIONS



INSTALLATION GUIDE

Use two switches for greater control, two circuits for greater capacity.



Where wattage requirements are 2400W or more, the trac run may be fed from one point, providing 4800W capacity plus 2 switches.

One Circuit with Two Switches - 2400W Max.

Two switches may be used on each trac run with a portion of Trac fixtures run by Switch 1 and the balance on Switch 2 • Dimmers, occupancy sensors, timers, etc. can also be utilized to provide other lighting effects along the run.

Two Circuits with Two Switches - 4800W Max.

Two-Circuit TracMaster provides a load capacity of 4800W (two 2400 watt circuits) using split phase common neutral circuit

- This "double capacity" eliminates 50% of the feed points in long runs reducing wiring costs and simplifying the installation
- Two separate circuit switches permit flexibility in combining lighting effects along the run.

ORDERING INFORMATION

Example: TU 8FT WH

Series	Length	Finish
TU Trac-Master 2-Circuit Track Sections	2FT 2-foot track section; actual length 19-7/8"	BL Black SL Silver WH White
	4FT 4-foot track section; actual length 43-7/8"	
	6FT 6-foot track section; actual length 67-7/8"	
	8FT 8-foot track section; actual length 91-7/8"	
	12FT 12-foot track section; actual length 139-7/8"	



TRAC-MASTER®

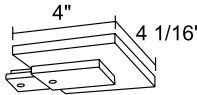
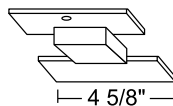
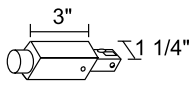
Two Circuit Trac System

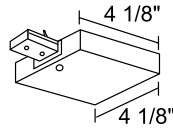
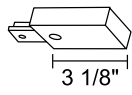
TRAC SECTION, JOINERS & FEEDS

TU Series

Electrical Feeds

Examples: TU21 BL, TU34 RP WH

TU21	TU21 RP	TU29	TU34	TU34 RP
BL, SL, WH	BL, SL, WH	BL, SL, WH	BL, SL, WH	BL, SL, WH
<p>End Feed Connector and Outlet Box Cover</p> <p>For outlet box feed. Includes: outlet box cover, fixture strap and ground screw.</p> 	<p>End Feed Connector and Outlet Box Cover</p> <p>Same as TU21 except designed for use in opposite polarity orientation compared to standard feed connectors.</p>	<p>Floating Electrical Feed</p> <p>Permits mounting any point of trac under outlet box. Includes floating connector, outlet box cover plus extra trac dead end.</p> 	<p>Conduit End Feed</p> <p>For surface wiring. Use standard 1/2" connector.</p> 	<p>Conduit End Feed</p> <p>Same as TU34 except designed for use in opposite polarity orientation compared to standard feed connectors.</p>

TU36	TU36 RP	TU38	TU38 RP
BL, SL, WH	BL, SL, WH	BL, SL, WH	BL, SL, WH
<p>T-Bar End Feed</p> <p>Wiring compartment contains standard 1/2" KO's. Feeds surface trac from above, when T-bar is directly above trac.</p> 	<p>T-Bar End Feed</p> <p>Same as TU36 except designed for use in opposite polarity orientation compared to standard feed connectors.</p>	<p>Live End Feed Connector</p> <p>Feed trac from above with flexible conduit, BX, etc., or end feed in pendant systems.</p> 	<p>Live End Feed Connector</p> <p>Same as TU38 except designed for use in opposite polarity orientation compared to standard feed connectors.</p>

TRAC-MASTER®

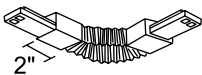
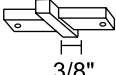
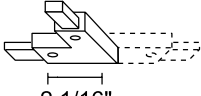
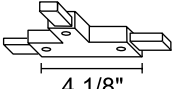
Two Circuit Trac System

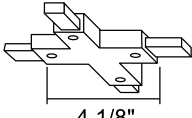
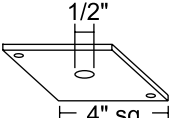

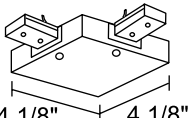
TRAC SECTION, JOINERS & FEEDS

TU Series

Trac Joiners & Dead End

Examples: TU20 BL, TU25 RP WH

TU20	TU23	TU24 ‡	TU25 ‡	TU25 RP ‡
BL, SL, WH	BL, SL, WH	BL, SL, WH	BL, SL, WH	BL, SL, WH
<p>Accordion Adjustable Joiner</p> <p>Can flex to 90° angle to left, right, up or down. Joins two trac sections.</p>  <p>2"</p>	<p>Miniature Straight Connector</p> <p>Joins two trac sections end to end.</p>  <p>3/8"</p>	<p>Adjustable Connector</p> <p>Joins two trac sections to make a 90° angle or straight run. Straight and right angle covers supplied. For outlet box feed, No. T27 cover plate required.</p>  <p>2 1/16"</p>	<p>"T" Connector</p> <p>Joins three trac sections. For outlet box feed, No. T27 cover plate required.</p>  <p>4 1/8"</p>	<p>"T" Connector</p> <p>Same as TU25 except designed for use in opposite polarity orientation compared to standard feed connectors.</p>

TU26 ‡	T27	TU28	TU35
BL, SL, WH	BL, SL, WH	BL, SL, WH	BL, SL, WH
<p>"X" Connector</p> <p>Joins four trac sections at 90° angles. For outlet box feed, T27 cover plate required.</p>  <p>4 1/8"</p>	<p>Outlet Box Cover</p> <p>Use with Nos. TU24/TU25/TU26 for outlet box electrical feed. Includes: nipple, locknut and ground screw.</p>  <p>1/2" 4" sq.</p>	<p>Trac Dead End</p> <p>For use with field-cut trac sections.</p> 	<p>T-Bar Adjustable Joiner Feed</p> <p>Joins two trac sections to make 90° angle or straight run. Wiring compartment contains standard 1/2" KO's. Feeds from above when T-bar is directly above trac.</p>  <p>4 1/8" 4 1/8"</p>

‡ TU24, TU25 and TU26 may not be used as feed connectors in Canada.