

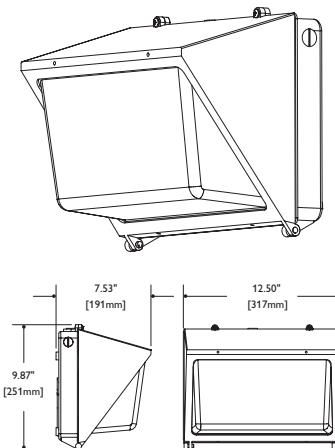
313, 323 and 333 Series - Wallcube

Features

- Housing is constructed of die-cast aluminum with deep die-cast fins to provide maximum heat dissipation for the integral ballast components. Standard finish is a Duraplex II™ Bronze Electrostatic Powder coat.
- Lens Frame is constructed of die-cast aluminum. Integral hinges allow easy access for maintenance, secured with safety cable.
- Refractor is constructed of heat and shock resistant borosilicate glass which is permanently silicone sealed to the lens frame. Outside and inside prismatic surfaces have a parting line to provide even light distribution.
- Reflector is made of a specular anodized aluminum which is easily removed for installation and maintenance.
- Lampholder is a porcelain, 4 kV pulse rated, grip-type medium (313) or mogul (323, 333) based socket which prevents lamp loosening.
- Lamp styles are as follows:
313 Series: Standard size ED-17.
323 Series: Standard size ED-23 1/2 (High Pressure Sodium)
333 Series: Standard size ED-28/BT-28 (Metal Halide)
- Comes with a 3 year limited warranty.
- CSA Approved for Wet Locations



Dimensions



Job Information

Type:

Job Name:

Cat. No.:

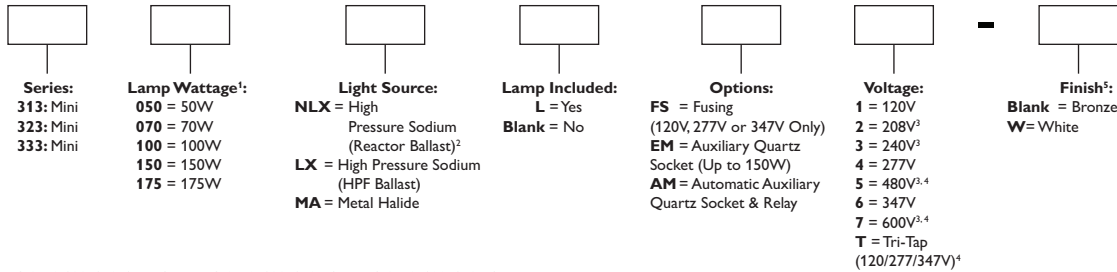
Lamp(s):

Notes:

313, 323 and 333 Series - Wallcube

Ordering information

Explanation of catalog number: Example: 313150NLXLFS-1W



1 MA (50, 70, 100, 150, 175W); NLX (50, 70, 100, 150W) ; LX (50, 70, 100, 150W)
 2 NLX reactor ballast only available in 120V
 3 MA (50-150W); NLX (50-150W) are not available in 208V, 240V, 480V or 600V
 4 LX (50W) not available in 480V, 600V or Tri-Tap
 5 For other colour options, consult factory for finish code

Job Information	Type:
------------------------	--------------

