



The Keene **LED Floodlights** offer energy saving LED technology for long life and reduced maintenance. Versatile and stylish with five different sizes to choose from provides application flexibility for ground mount, wall mount, or pole mount installations. Ideal for sign lighting, building facades, security lighting, and general purpose floodlighting applications.

Project: _____

Location: _____

Cat.No: _____

Type: _____

Lamps: _____ Qty: _____

Notes: _____

Ordering guide

example: FL150-NW-G1-T-FL-8-BZ

Luminaire	LED Color NW	Generation G1	Mounting	Distribution FL	Voltage	Finish BZ
FL20 LED Floodlight 20W	NW Neutral White 4000K, 80CRI	G1 Génération 1	K¹ Knuckle Mount 1/2" NPS male	FL Flood	6 347VAC 8 120-277VAC	BZ Bronze
FL40 LED Floodlight 40W						
FL80 LED Floodlight 80W						
FL150 LED Floodlight 150W						
FL200 LED Floodlight 200W						
FL300 LED Floodlight 300W			S³ Slip Fitter Mount			

- K** Knuckle Mount only available with FL20 and FL40.
- T** Trunnion Mount only available with FL80, FL150, FL200 & FL300.
- S** Slip Fitter Mount only available with FL80, FL150, PFL200 & FL300.

LED Wattage and Lumen Values

Neutral White Ordering Codes	Total LEDs	LED Current (mA)	Color Temp.(K)	Average System Wattage ¹	Lumen Output ^{1,2}	Efficacy (LPW)
FL20-NW-G1-K-FL-8-BZ	32	500	4000	20	2122	109
FL40-NW-G1-K-FL-8-BZ	64	1100	4000	39	4433	113
FL80-NW-G1-T or S-FL-8-BZ	128	2450	4000	79	8856	113
FL150-NW-G1-T or S-FL-8-BZ	248	4200	4000	146	16,325	112
FL200-NW-G1-T or S-FL-8-BZ	340	1050	4000	197	24,254	123
FL300-NW-G1-T or S-FL-8-BZ	544	2100	4000	301	34,025	113

1. Wattage and lumen output may vary by +/- 8% due to LED manufacturer forward volt specification and ambient temperature. Wattage shown is average for 120V through 277V input. Actual wattage may vary by an additional +/- 10% due to actual input voltage.

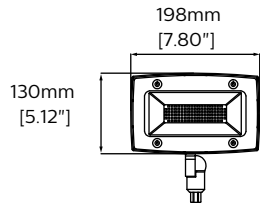
2. Lumen values based on photometric tests performed in compliance with IESNA LM-79.

NOTE: Contact your Keene representative for additional photometric tests or information.

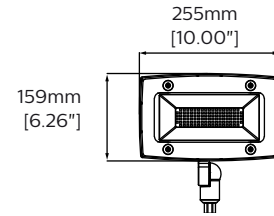
FL20-40-80-150-200-300 General Purpose Flood Floodlights

Dimensions

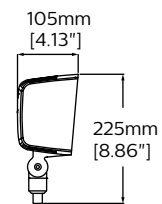
FL20-K Front



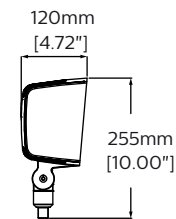
FL40-K Front



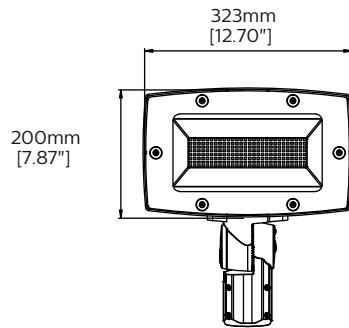
FL20-K Side



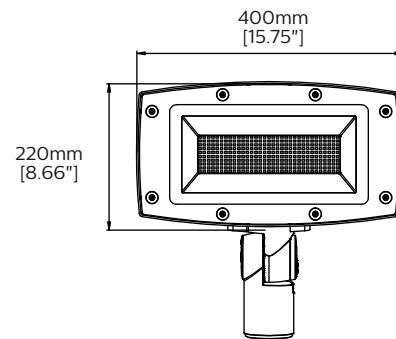
FL40-K Side



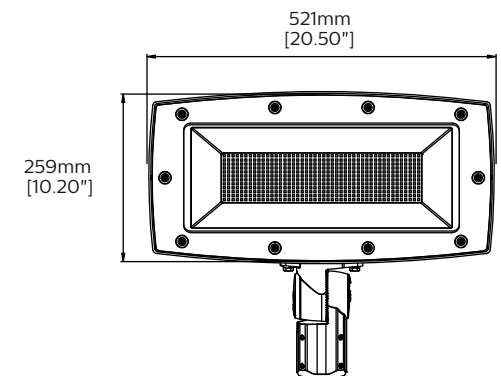
FL80-S Front



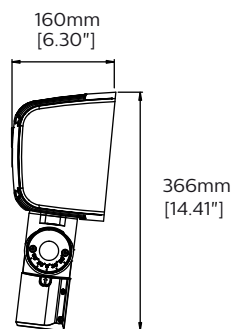
FL150-S and FL200-S Front



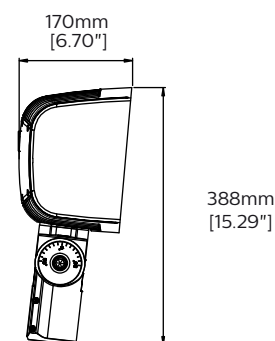
FL300-S Front



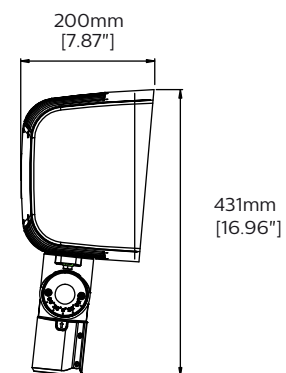
FL80-S Side



FL150-S and FL200-S Side



FL300-S Side



Accessory (ordered separately, field installed)

BT10



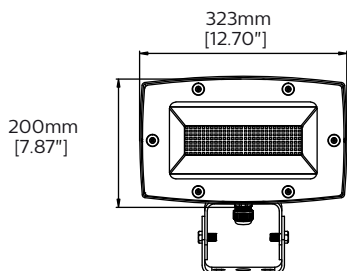
Mounting adapter for trunnion, fits 2-3/8" O.D. tenon, bronze finish.

FL20-40-80-150-200-300 General Purpose Flood

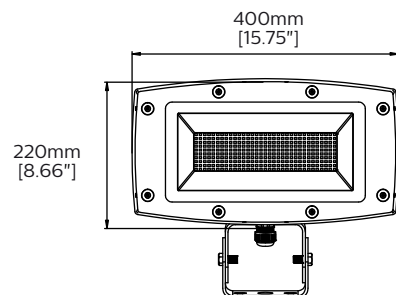
Floodlights

Dimensions (cont'd)

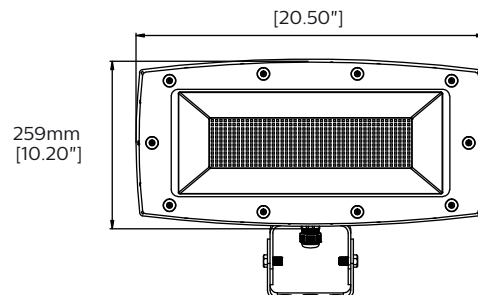
FL80-T Front



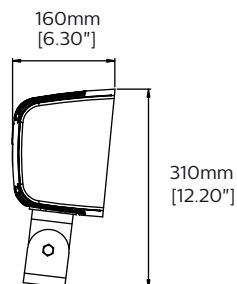
FL150-T and FL200-T Front



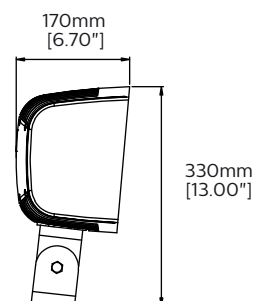
FL300-T Front



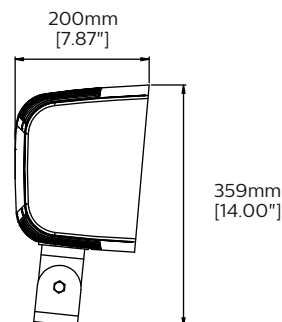
FL80-T Side



FL150-T and FL200-T Side



FL300-T Side



EPA and Weight

Product	Effective Projected Area (EPA-ft ²)			Weight
	0° Aim	45° Aim	90° Aim	
FL20-K	0.238	0.271	0.316	4.6lb (2.09kg)
FL40-K	0.351	0.415	0.5	6.6lb (2.99kg)
FL80-T	0.595	0.68	0.798	15lb (6.8kg)
FL150-T	0.784	0.915	1.089	21.3lb (9.7kg)
FL200-T	0.784	0.915	1.089	21.7lb (9.8kg)
FL300-T	1.199	1.369	1.604	33.6lb (15.2kg)
FL80-S	0.595	0.76	0.899	13.7lb (6.2kg)
FL150-S	0.784	0.994	1.17	20.9lb (9.5kg)
FL200-S	0.784	0.994	1.17	21.1lb (9.6kg)
FL300-S	1.199	1.449	1.649	33lb (15kg)

Trunnion Mount Bolt Pattern

