



The Keene **LED Floodlights** offer energy saving LED technology for long life and reduced maintenance. Versatile and stylish with five different sizes to choose from provides application flexibility for ground mount, wall mount, or pole mount installations. Ideal for sign lighting, building facades, security lighting, and general purpose floodlighting applications.

Project: _____
 Location: _____
 Cat.No: _____
 Type: _____
 Lamps: _____ Qty: _____
 Notes: _____

Ordering guide

example: FL150-NW-G1-T-FL-8-BZ

| Luminaire | LED Color NW | Generation G1 | Mounting | Distribution FL | Voltage | Finish BZ |
|----------------------------------|--------------------------------------|-------------------------|--|---------------------------|--|---------------------|
| FL20 LED Floodlight 20W | NW Neutral White 4000K, 80CRI | G1 Génération 1 | K¹ Knuckle Mount 1/2" NPS male | FL Flood | 6 347VAC 8 120-277VAC | BZ Bronze |
| FL40 LED Floodlight 40W | | | | | | |
| FL80 LED Floodlight 80W | | | | | | |
| FL150 LED Floodlight 150W | | | | | | |
| FL200 LED Floodlight 200W | | | | | | |
| FL300 LED Floodlight 300W | | | S³ Slip Fitter Mount | | | |

- K** Knuckle Mount only available with FL20 and FL40.
- T** Trunion Mount only available with FL80, FL150, FL200 & FL300.
- S** Slip Fitter Mount only available with FL80, FL150, PFL200 & FL300.

LED Wattage and Lumen Values

| Neutral White Ordering Codes | Total LEDs | LED Current (mA) | Color Temp.(K) | Average System Wattage ¹ | Lumen Output ^{1,2} | Efficacy (LPW) |
|-----------------------------------|------------|------------------|----------------|-------------------------------------|-----------------------------|----------------|
| FL20-NW-G1-K-FL-8-BZ | 32 | 500 | 4000 | 20 | 2122 | 109 |
| FL40-NW-G1-K-FL-8-BZ | 64 | 1100 | 4000 | 39 | 4433 | 113 |
| FL80-NW-G1-T or S-FL-8-BZ | 128 | 2450 | 4000 | 79 | 8856 | 113 |
| FL150-NW-G1-T or S-FL-8-BZ | 248 | 4200 | 4000 | 146 | 16,325 | 112 |
| FL200-NW-G1-T or S-FL-8-BZ | 340 | 1050 | 4000 | 197 | 24,254 | 123 |
| FL300-NW-G1-T or S-FL-8-BZ | 544 | 2100 | 4000 | 301 | 34,025 | 113 |

1. Wattage and lumen output may vary by +/- 8% due to LED manufacturer forward volt specification and ambient temperature. Wattage shown is average for 120V through 277V input. Actual wattage may vary by an additional +/- 10% due to actual input voltage.

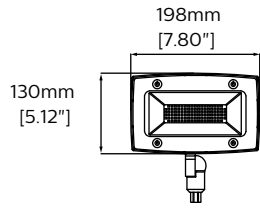
2. Lumen values based on photometric tests performed in compliance with IESNA LM-79.

NOTE: Contact your Keene representative for additional photometric tests or information.

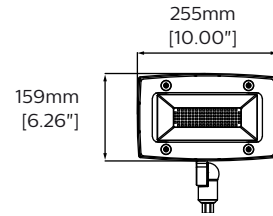
FL20-40-80-150-200-300 General Purpose Flood Floodlights

Dimensions

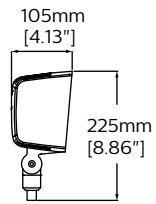
FL20-K Front



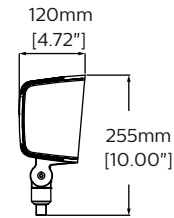
FL40-K Front



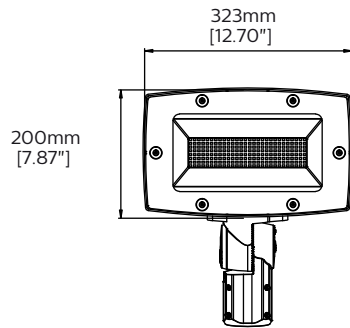
FL20-K Side



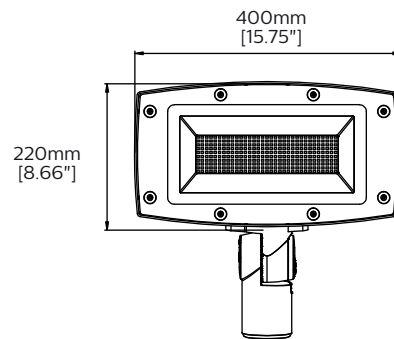
FL40-K Side



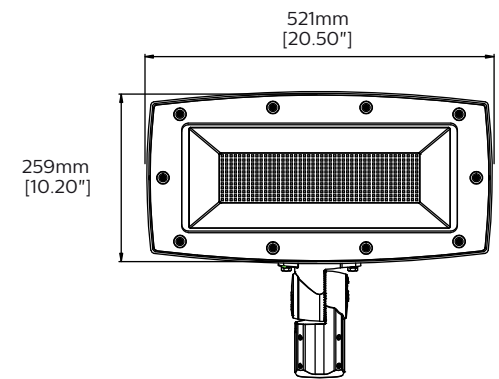
FL80-S Front



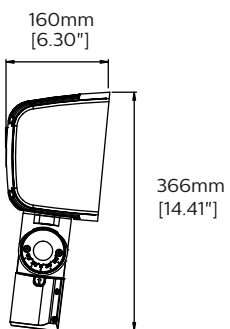
FL150-S and FL200-S Front



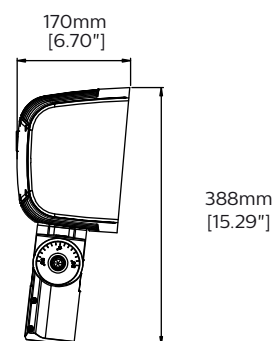
FL300-S Front



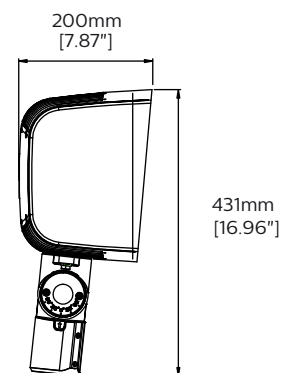
FL80-S Side



FL150-S and FL200-S Side



FL300-S Side



Accessory (ordered separately, field installed)

BT10



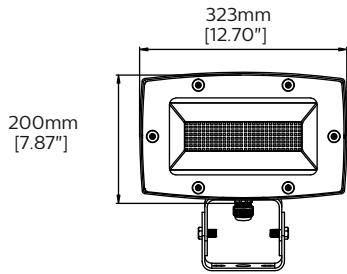
Mounting adapter for trunnion, fits 2-3/8" O.D. tenon, bronze finish.

FL20-40-80-150-200-300 General Purpose Flood

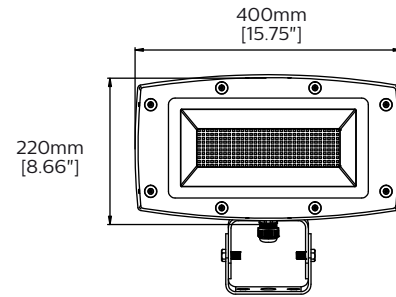
Floodlights

Dimensions (cont'd)

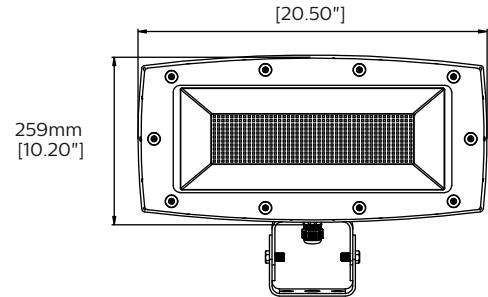
FL80-T Front



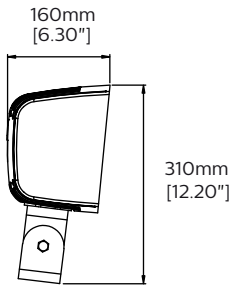
FL150-T and FL200-T Front



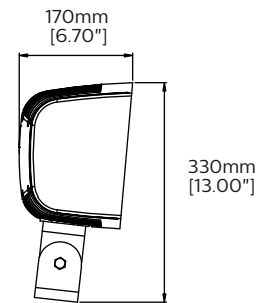
FL300-T Front



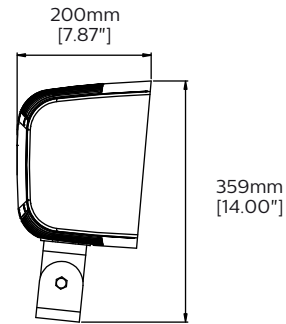
FL80-T Side



FL150-T and FL200-T Side



FL300-T Side



EPA and Weight

| Product | Effective Projected Area (EPA-ft ²) | | | Weight |
|---------|---|---------|---------|-----------------|
| | 0° Aim | 45° Aim | 90° Aim | |
| FL20-K | 0.238 | 0.271 | 0.316 | 4.6lb (2.09kg) |
| FL40-K | 0.351 | 0.415 | 0.5 | 6.6lb (2.99kg) |
| FL80-T | 0.595 | 0.68 | 0.798 | 15lb (6.8kg) |
| FL150-T | 0.784 | 0.915 | 1.089 | 21.3lb (9.7kg) |
| FL200-T | 0.784 | 0.915 | 1.089 | 21.7lb (9.8kg) |
| FL300-T | 1.199 | 1.369 | 1.604 | 33.6lb (15.2kg) |
| FL80-S | 0.595 | 0.76 | 0.899 | 13.7lb (6.2kg) |
| FL150-S | 0.784 | 0.994 | 1.17 | 20.9lb (9.5kg) |
| FL200-S | 0.784 | 0.994 | 1.17 | 21.1lb (9.6kg) |
| FL300-S | 1.199 | 1.449 | 1.649 | 33lb (15kg) |

Trunnion Mount Bolt Pattern

