

# PentaFlood

## Size 2

Page 1 of 2

### Features

- One-piece die-cast aluminum housing and lens frame. Lens frame fully gasketed, internally hinged and secured with four captive stainless steel hex-head screws for weatherproofing and leaves both hands free for service. Standard finish is Duraplex II bronze electrostatic powder coat, optional colours available.
- Lens is a clear, tempered, shock and heat resistant soda lime glass, permanently sealed with silicone to the lens frame.
- Porcelain, 4kV pulse rated, grip-type medium based socket prevents lamp loosening.
- HID ballast, class H insulation, high power factor, CWA. Available reactor ballast with integral ignitor for HPS (120V only).
- HID lamps are ED17, Metal Halide or High Pressure Sodium
- Reflectors come in four standard grade & three specification grade 'PentaLume' distribution options:
  - Standard Grade**
    - Narrow x Wide (Semi-Specular) (Standard)
    - Spot (S)
    - Cut-off (C)
    - Narrow x Wide (NW) (Specular)
  - “PentaLume” Grade**
    - Wide (PLW)
    - Narrow x Wide (PLNW)
    - Spot (PLS)
- Available in three mounting configurations:
  - **Arm Mount:** Die cast aluminum arm with 1/2" NPT thread and cast in degree marks (7.5° increments) for accurate field-adjustable aiming.
  - **Yoke Mount:** Heavy gauge steel, powder finished same as fixture. Supplied standard with 3ft. SOW 16/3 cable.
  - **Wall Mount:** “L” shaped, die-cast aluminum construction. Supplied standard with 3ft. SOW 16/3 cable.
- EPA: Effective Projected Area: 0.55 ft<sup>2</sup> [0.051m<sup>2</sup>]
- 3 year limited warranty.

Available up to 175W Metal Halide,  
150W High Pressure Sodium



CSA Approved for Wet Locations  
Arm Mount IP65 Tested & Certified

### Job Information

Type:

Job Name:

Cat. No.:

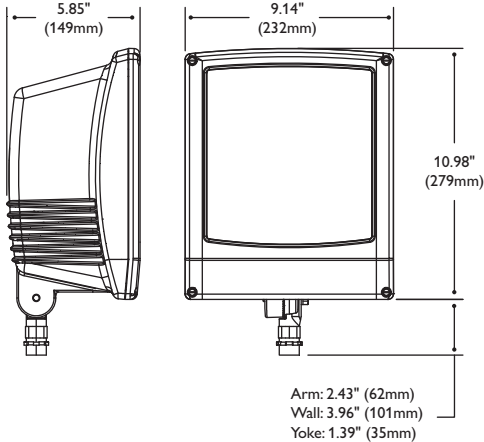
Lamp(s):

Notes:

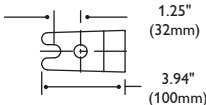
# PentaFlood

## Size 2

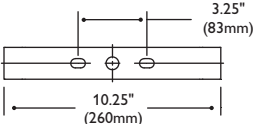
### Dimensions



Wall Mount



Yoke Mount



### Ordering information

Explanation of catalog number: Example: PF2A175NWMAL-TB

<b>PF</b>	<b>2</b>							
<b>Series:</b> PF: Pentaflood	<b>Size:</b> 2	<b>Mounting:</b> A = Arm Y = Yoke <sup>5</sup> W = Wall <sup>5</sup>	<b>Wattage<sup>1</sup>:</b> 050 = 50W 070 = 70W 100 = 100W 150 = 150W 175 = 175W	<b>Reflector Type:</b> Blank = Narrow x Wide (Semi-Specular) S = Spot C = Cutoff NW = Narrow x Wide (Specular) PLW = PentaLum Wide PLNW = PentaLume Narrow x Wide PLS = PentaLume Spot	<b>Source<sup>2</sup>:</b> MA = Metal Halide LX = High Pressure Sodium NLX = High Pressure Sodium (Reactor Ballast)	<b>Options:</b> L = Lamp Included PCB = Button Photocontrol (for 120 or 277V only)	<b>Voltage<sup>3,4</sup>:</b> 1 = 120V 2 = 208V 3 = 240V 4 = 277V 6 = 347V T = Tri-Tap (120/277/347V)	<b>Finish:</b> Blank = Bronze W = White B = Black G = Grey

1 MA (50, 70, 100, 150, 175W); NLX (50, 70, 100, 150W); LX (50, 70, 100, 150W)  
2 NLX reactor ballast only available in 120V.  
3 MA (50-150W); LX (50-150W) in 208V or 240V come with socket protector.  
4 LX (50W) not available in Tri-Tap.  
5 Supplied with 3' SOW cable.

**Job Information** **Type:**



© 2013 Koninklijke Philips N.V. (Royal Philips). All rights reserved.  
Specifications are subject to change without notice.  
www.philips.com/luminaires

SD0825 05/13

Philips Lighting Company  
200 Franklin Square Drive  
Somerset, NJ 08873  
Phone: 855-486-2216

Philips Lighting Company  
281 Hillmount Road  
Markham ON, Canada L6C 2S3  
Phone: 800-668-9008