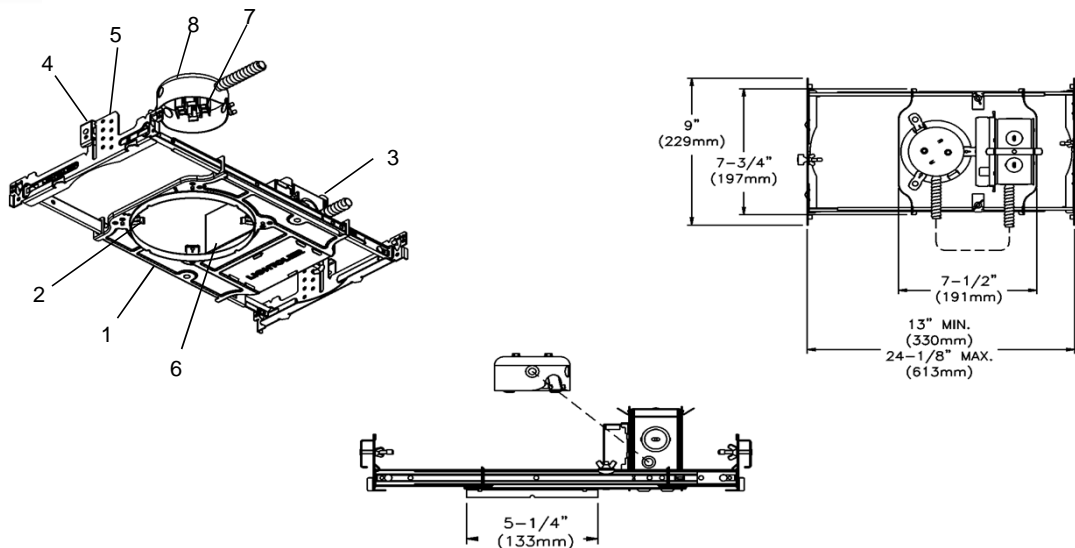




5-1/4" Aperture 1 Lamp, Compact Fluorescent, Non-IC, Frame-in Kit

Ceiling Opening: 5-1/4" (133mm)



Complete fixture consists of Reflector Trim & Frame-in Kit. Select each separately

CFL Frame-in Kit	Lamp	Base	Voltage	Amps
1001F13U	1-13W QT/TTT	4 Pin (GX24q-1/G24q-1)	120/277V	0,13 / 0,06A
1001F13-347	1-13W QT/TTT	4 Pin (GX24q-1/G24q-1)	347V	0,06A
1001F18U	1-18W TTT	4 Pin (GX24q-2)	120/277V	0,17 / 0,08A
1001F18-347	1-18W TTT	4 Pin (GX24q-2)	347V	0,06A
1001F26U	1-26W TTT	4 Pin (GX24q-3)	120/277V	0,24/0,11A
1001F26-347	1-26W TTT	4 Pin (GX24q-3)	347V	0,09A

Features

- Mounting Frame:** .036" (#20ga.) galvanized Steel. Accommodates all ceilings up to 1-1/2" thick; including existing or inaccessible areas.
- Trim Clips:** "Push In / Twist Out" Stainless Steel clips hold reflector flush to ceiling.
- Junction Box:** 2" x 4" x 3-1/2" (22cu.in.) .032" (#22ga.) galvanized steel. cULus listed for maximum of 8 (#12ga.) through branch circuit conductors.
- UniFrame™ Mounting System – Grid Ceiling:** Tool free mounting in grid ceilings .036" (20ga.) Galvanized Steel interlocking slide bars adjust to 24-1/8" long accommodating 24" O.C. Ceiling Grid. Adjustable speed clamps for positive attachment to grid ceiling systems.
- UniFrame™ Mounting System – Wood Joist Ceiling:** Integral nailing tabs, alignment guides, fastener holes and bendable strapping guides for wood joist installation. Galvanized Steel interlocking slide bars adjust from 12-15/16" to 24-1/8" long to accommo spacing, with or without strapping. Suitable for Steel Ceiling construction using standard 1/2" EMT, (See Instruction Sheet).
- Ballast:** 120V, 277V, 347V UL Listed Electronic Ballast, end of lamp life protection, class "P" thermally protected, class "A" sound rating. Minimum starting temperature is 0°F.
- Socket:** Four-pin base, molded thermoplastic socket, prewired with No. 18 AWM leads to ballast.
- Socket Housing:** .036" (#20ga.) Galvanized Steel housing attaches to reflector trim by spring clip for precise optic alignment.

Accessories

1967B 2 in (51mm). Thick Ceiling Adaptor

Markings

cULus listed, suitable for damp locations.

Job Information	Type:
Job Name:	
Cat. No.:	
Lamp(s):	
Notes:	