

**3-3/4" Aperture New Construction**

**Features**

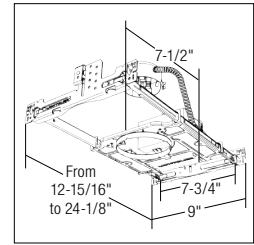
**Mounting Frame:** Accommodates all ceilings up to 1-1/2" thick

**Junction Box:** Through branch circuit conductors

**Grid Ceiling Installation:** Tool free mounting in grid ceilings, interlocking side bars adjust to 24-1/8" long, adjustable speed clamps for positive attachment to grid ceilings

**Wood Joist Installation:** Integral nail tabs, joist finder, fastener holes and bendable strapping guides for wood joist installation, interlocking slide bars adjust from 12-15/16" to 24-1/8" long to accommodate 16" and 24" O.C joist spacing, with or without strapping

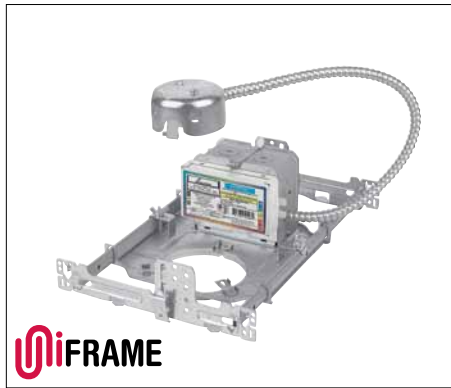
**Accessories:** 1967C Extra Thick Ceiling Adapter (up to 2" thick). For emergency use FAEM13L (see www.canlyte.com)



Ceiling Cut-Out: 3-15/16"



| Frame-in Kit       | Lamp         | Ballast    | Base                   | Voltage  | Total Watts | Amps       |
|--------------------|--------------|------------|------------------------|----------|-------------|------------|
| <b>2001F13U</b>    | 1-13W QT/TTT | Electronic | 4 Pin (GX24q-1/G24q-1) | 120/277V | 18W         | 0,15/0,07A |
| <b>2001F13-347</b> | 1-13W QT/TTT | Electronic | 4 Pin (GX24q-1/G24q-1) | 347V     | 18W         | 0,06A      |
| <b>2001F18U</b>    | 1-18W TTT    | Electronic | 4 Pin (GX24q-2)        | 120/277V | 19W         | 0,16/0,07A |
| <b>2001F18-347</b> | 1-18W TTT    | Electronic | 4 Pin (GX24q-2)        | 347V     | 21W         | 0,11A      |



**5-1/4" Aperture New Construction**

**Features**

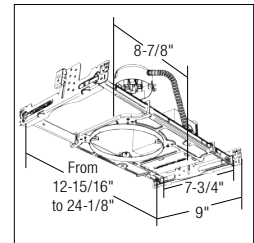
**Mounting Frame:** Accommodates all ceilings up to 1-1/2" thick

**Junction Box:** Through branch circuit conductors

**Grid Ceiling Installation:** Tool free mounting in grid ceilings, interlocking side bars adjust to 24-1/8" long, adjustable speed clamps for positive attachment to grid ceilings

**Wood Joist Installation:** Integral nail tabs, joist finder, fastener holes and bendable strapping guides for wood joist installation, interlocking slide bars adjust from 12-15/16" to 24-1/8" long to accommodate 16" and 24" O.C joist spacing, with or without strapping

**Accessories:** 1967B Extra Thick Ceiling Adapter (up to 2" thick). For emergency use FAEM13L (see www.canlyte.com)

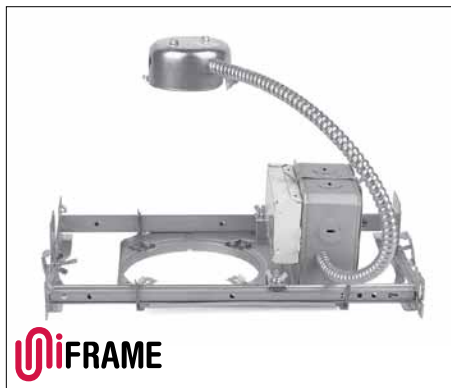


Ceiling Cut-Out: 5-1/4"



| Frame-in Kit       | Lamp         | Ballast    | Base                   | Voltage  | Total Watts | Amps       |
|--------------------|--------------|------------|------------------------|----------|-------------|------------|
| <b>1001F13U</b>    | 1-13W QT/TTT | Electronic | 4 Pin (GX24q-1/G24q-1) | 120/277V | 18W         | 0,15/0,07A |
| <b>1001F13-347</b> | 1-13W QT/TTT | Electronic | 4 Pin (GX24q-1/G24q-1) | 347V     | 18W         | 0,06A      |
| <b>1001F18U</b>    | 1-18W TTT    | Electronic | 4 Pin (GX24q-2)        | 120/277V | 19W         | 0,16/0,07A |
| <b>1001F18-347</b> | 1-18W TTT    | Electronic | 4 Pin (GX24q-2)        | 347V     | 21W         | 0,06A      |
| <b>1001F26U</b>    | 1-26W TTT    | Electronic | 4 Pin (GX24q-3)        | 120/277V | 28W         | 0,25/0,11A |
| <b>1001F26-347</b> | 1-26W TTT    | Electronic | 4 Pin (GX24q-3)        | 347V     | 29W         | 0,09A      |

For dimming options, please consult the corresponding product Spec Sheet on our web site: www.canlyte.com



**6-3/4" Aperture New Construction**

**Features**

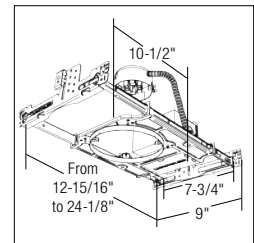
**Mounting Frame:** Accommodates all ceilings up to 1-1/2" thick

**Junction Box:** Through branch circuit conductors

**Grid Ceiling Installation:** Tool free mounting in grid ceilings, interlocking side bars adjust to 24-1/8" long, adjustable speed clamps for positive attachment to grid ceilings

**Wood Joist Installation:** Integral nail tabs, joist finder, fastener holes and bendable strapping guides for wood joist installation, interlocking slide bars adjust from 12-15/16" to 24-1/8" long to accommodate 16" and 24" O.C joist spacing, with or without strapping

**Accessories:** 1967A Extra Thick Ceiling Adapter (up to 2" thick). For emergency use FAEM13L (see www.canlyte.com)



Ceiling Cut-Out: 6-15/16"



| Frame-in Kit         | Lamp         | Ballast    | Base                   | Voltage  | Total Watts | Amps       |
|----------------------|--------------|------------|------------------------|----------|-------------|------------|
| <b>1101F13U</b>      | 1-13W QT/TTT | Electronic | 4 Pin (GX24q-1/G24q-1) | 120/277V | 18W         | 0,15/0,07A |
| <b>1101F13-347</b>   | 1-13W QT/TTT | Electronic | 4 Pin (GX24q-1/G24q-1) | 347V     | 18W         | 0,06A      |
| <b>1101F18U</b>      | 1-18W QT/TTT | Electronic | 4 Pin (GX24q-2/G24q-2) | 120/277V | 22W         | 0,18/0,08A |
| <b>1101F18-347</b>   | 1-18W QT/TTT | Electronic | 4 Pin (GX24q-2/G24q-2) | 347V     | 21W         | 0,11A      |
| <b>1101F2642U</b>    | 1-26W QT/TTT | Electronic | 4 Pin (GX24q-3/G24q-3) | 120/277V | 28W         | 0,25/0,11A |
|                      | 1-32W TTT    |            | 4 Pin (GX24q-3)        |          | 36W         | 0,32/0,14A |
|                      | 1-42W TTT    |            | 4 Pin (GX24q-4)        |          | 48W         | 0,42/0,18A |
| <b>1101F2642-347</b> | 1-26W QT/TTT | Electronic | 4 Pin (GX24q-3/G24q-3) | 347V     | 29W         | 0,09A      |
|                      | 1-32W TTT    |            | 4 Pin (GX24q-3)        |          | 36W         | 0,11A      |
|                      | 1-42W TTT    |            | 4 Pin (GX24q-4)        |          | 49W         | 0,15A      |

For dimming options, please consult the corresponding product Spec Sheet on our web site: www.canlyte.com