

PHILIPS LIGHTOLIER

Downlighting

LyteProfile

6" Round downlight
and Lensed wall wash



Project: _____
 Location: _____
 Cat.No: _____
 Type: _____
 Lamps: _____ Qty: _____
 Notes: _____

LyteProfile LED Downlights are designed for new construction and include downlight and wall wash distributions. They are highly energy efficient with up to 100lm/W, provide a full 60° cutoff, and feature an impressively, shallow 4.5" housing.

Complete Product = Frame-in kit + Light engine + Reflector Order each separately

Ordering guide: Frame-in kit¹

Example: P6RD15NZ10UVBEM

Series	Style	Lumens	Installation	Dimming	Input voltage	Version	Options
P6R	D		N			VB	
P6R LyteProfile 6" Round	D Downlight	10 1,000 lm	N Non-IC New construction	Z10 0-10V Dimming L Lutron	U Universal (120/277v) 3 347V ²	VB Version B	EM Emergency ² LC Chicago plenum
		15 1,500 lm					
		20 2,000 lm					
		25 2,500 lm	N Non-IC New construction	Z10 0-10V Dimming L Lutron	1 120V 2 277V 3 347V ²		

Ordering guide: Light engine

Example: P6RD835VB

Series	Style	CRI	CCT	Version	Options
P6R	D	8		VB	
P6R LyteProfile 6" Round	D Downlight	8 80	27 2700K 30 3000K 35 3500K 40 4000K	VB Version B	LC Chicago plenum

For 90 CRI, contact factory.

Ordering guide: Reflector

Example: P6RDCCP

Series	Style	Reflector	Flange
P6R			
P6R LyteProfile 6" Round	D Downlight LW Lensed wall wash	CL Clear	Blank White (painted)
		CC Comfort clear	P Polished (matches aperture)
		D Clear diffuse (applied)	
		W White (painted)	Blank White (painted)

1. Mounting Bars need to be ordered separately, see Options and Accessories on page 2 for Mounting Bar options.

2. 347V configurations are not available with the emergency option.

Note: Refer to page 2 for Energy Star certification details.

Note: Chicago Plenum (LC) is not available with 347V.

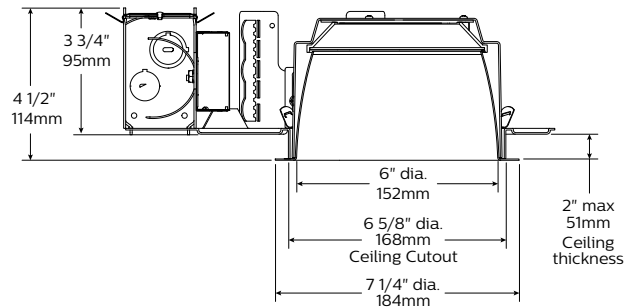


P6R LyteProfile 6" Round

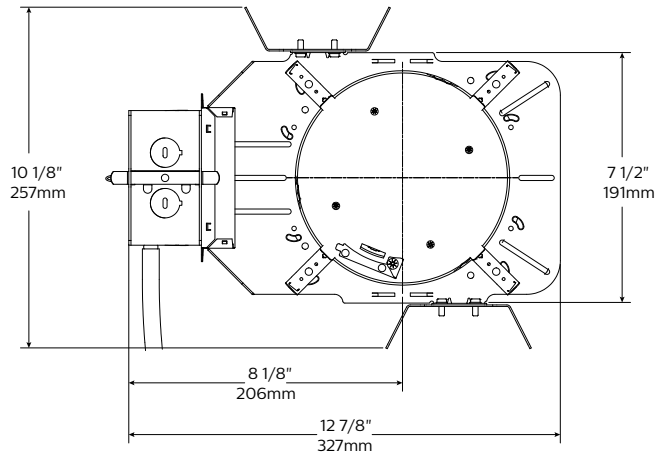
Commercial downlight and lensed wall wash

Frame-in kit

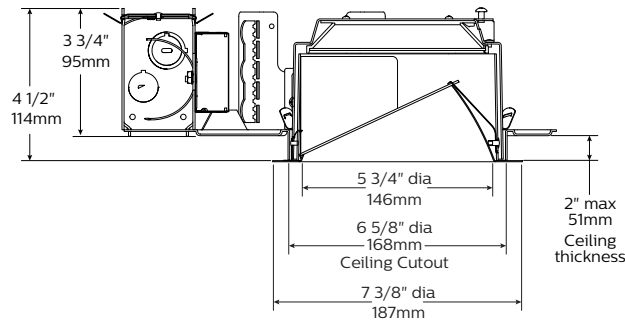
Downlight side view



Top view



Lensed wall wash side view



Features

Ceiling cutout: 6 5/8" (168mm).

Depth: 4 1/2" (114 mm) including light engine.

Power connection: Attaches to light engine via push-in connector (on frame). Removable cover provides access.

Junction box: 2" x 4" x 3 1/2" (22cu. in.) cULus listed for 90°C. Supply conductor .048" thick galvanized steel. Allows inspection from below.

Thermal protector: The 2500 lumen fixture is thermally protected. The 1000, 1500 and 2000 lumen fixtures are inherently protected. Meets NEC & cULus requirements. Do not install insulation above or within 3" of luminaire.

Thermal Management: Thermal design ensures specified performance levels are maintained.

New construction

Mounting frame: Galvanized stamped steel for dry or plaster ceilings.

Mounting brackets: Galvanized Steel. Adjustable through aperture. Use lathing channel (3/4" or 1 1/2"), 1/2" EMT, or optional mounting bars. See Options and Accessories for mounting bar options.

Options and accessories

Dimming capability: 0-10V dimming. See LED-DIM specification sheet.

Emergency capability: Integral; Add "EM" suffix. See LED-EM spec sheet.

Mounting bars:

1950	18" long (set of 2)
1951	27" long (set of 2)
7994	Wood joist telescoping mounting bars (minimum 13 1/4" and maximum 24 1/2")

T-Bar anchor clips:

1956	Set of 4 for use with 18" or 27" mounting bars
-------------	--

Energy Star

All New Construction non-IC (N) frame-in kit and trims are Energy Star certified with the following exceptions:

- **P6RLWCC, P6RLWCCP, P6RLWW** trims with the 1000lm frame (**P6RD10NZ10UVB**)
- **P6RD10NLUVB, P6RD15NLUVB:** Lutron 1000lm and 1500lm frames are energy star certified for 120V applications only
- Emergency configurations
- 347V configurations

Quick-ship

Philips is committed to having the most common items in stock, please refer to our Smart Service guide for details.

Electrical

Electronic power supply: RoHS compliant Class 2 power unit for use in a damp or dry location. Class A sound rated unit tolerates sustained open circuit and short circuit output conditions without damage. Complies with FCC rules per Title 47 CFR Part 15 Non-Consumer (Class A) for EMI/RFI (conducted and radiated). Intended for use with 0-10V DC type dimmers. See LED-DIM spec sheet for latest dimming switch compatibility.

Lifetime: Expected lifetime 50,000 hours at L70 and backed by a 5-year limited warranty. (see Philips.com/warranties for details)

Labels

cULus. Suitable for wet location.

P6R LyteProfile 6" Round

Commercial downlight and lensed wall wash

Electrical matrix

Frame-in kit Electrical specifications	Input volts	Input freq.	Input current	LED drive current*	Input power*	LED power	THD factor	Power factor
P6RD10NZ10UVB 1000lm w/0-10V dimming	120V	50/60Hz	0.085	0.236	10	7.7	<20%	>0.9
	277V	50/60Hz	0.041	0.235	10	7.7	<20%	>0.9
P6RD15NZ10UVB 1500lm w/0-10V dimming	120V	50/60Hz	0.131	0.363	15.7	12	<20%	>0.9
	277V	50/60Hz	0.06	0.362	15.6	12	<20%	>0.9
P6RD20NZ10UVB 2000lm w/0-10V dimming	120V	50/60Hz	0.176	0.509	21	17	<20%	>0.9
	277V	50/60Hz	0.079	0.508	21	17	<20%	>0.9
P6RD25NZ101VB 2500lm w/0-10V dimming	120V	50/60Hz	0.243	0.665	34.5	29	<20%	>0.9
P6RD25NZ102VB 2500lm w/0-10V dimming	277V	50/60Hz	0.107	0.663	34	29	<20%	>0.9
P6RD10NZ103VB 1000lm w/0-10v dimming	347V	50/60Hz	0.064	0.243	11.7	8	<20%	>.5
P6RD15NZ103VB 1500lm w/0-10V dimming	347V	50/60Hz	0.085	0.371	16.8	12.6	<20%	>.5
P6RD20NZ103VB 2000lm w/0-10V dimming	347V	50/60Hz	0.107	0.518	22	18	<20%	>.6
P6RD25NZ103VB 2500lm w/0-10V dimming	347V	50/60Hz	0.136	0.677	30.7	24	<20%	>.6
P6RD10NLUVB 1000lm w/ Lutron	120V	50/60Hz	0.084	0.214	10	7	<20%	>0.9
	277V	50/60Hz	0.045	0.213	10	7	<20%	>.8
P6RD15NLUVB 1500lm w/ Lutron	120V	50/60Hz	0.122	0.328	14.5	10.8	<20%	>.09
	277V	50/60Hz	0.06	0.328	14.8	10.8	<20%	>.8
P6RD20NLUVB 2000lm w/ Lutron	120V	50/60Hz	0.167	0.463	20	15.5	<20%	>0.9
	277V	50/60Hz	0.08	0.462	20	15.5	<20%	>.9
P6RD25NL1VB 2500lm w/ Lutron	120V	50/60Hz	0.25	0.666	30	22.8	<20%	>.9
P6RD25NL2VB 2500lm w/ Lutron	277V	50/60Hz	0.115	0.665	30.6	22.8	<20%	>.9
P6RD10NL3VB 1000lm w/ Lutron	347V	50/60Hz	0.058	0.224	12	7	<20%	>.6
P6RD15NL3VB 1500lm w/ Lutron	347V	50/60Hz	0.07	0.348	17	11.8	<20%	>.7
P6RD20NL3VB 2000lm w/ Lutron	347V	50/60Hz	0.086	0.478	23	16.5	<20%	>.7
P6RD25NL3VB 2500lm w/ Lutron	347V	50/60Hz	0.101	0.611	29	21	<20%	>.8

* +/- 10%