

Catalog Number
Notes
Type

FEATURES & SPECIFICATIONS

INTENDED USE — Our recessed LED module is the most economical means to create a well lit environment with exceptional energy efficiency and near zero maintenance. The LED module maintains at least 70% light output for 35,000 hours.

CONSTRUCTION — Two-piece, die-cast heat sink for optimal thermal management.

E26 socket adaptor and hardwire kit ships standard. This enables easy installation or permanent conversion to an LED source for Title 24 compliance.

OPTICS — Lower white baffle splay recesses optical system into the ceiling to prevent glare and provide a traditional look.

Utilizes 3000 K color temperature LEDs.

ELECTRICAL SYSTEM — High-efficiency driver mounted on the module. Primary power disconnect provided for simple connection to a dedicated LED connector in the housing.

Dimming down to 15%. For compatible dimmers, refer to [Compatible Dimmers Chart](#).

Standard input wattage is 9.0 watts, 44 lumens per watt; equivalent to 50-watt incandescent.

INSTALLATION — Suitable for installation in standard-height rough-in sections. For compatible housings, refer to [Compatible Housings Chart](#).

LISTINGS — CSA certified to US and Canadian safety standards. ENERGY STAR® qualified; California T24 compliant. Damp location listed. WSEC ASTM E283 for Air-Tight (with IC housings).

WARRANTY — Five-year limited warranty. Full warranty terms located at: www.acuitybrands.com/CustomerResources/Terms_and_conditions.aspx.

Note: Specifications subject to change without notice.

LED Recessed Downlighting

4BL

4" LED Module

IC/Non-IC
New Construction/Remodel/Retrofit



E26 Adaptor

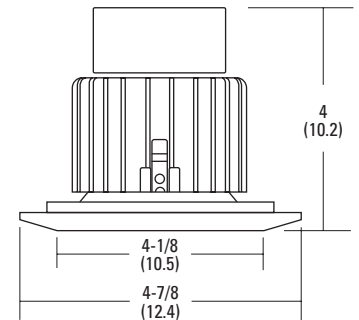


Hardwire Kit

Specifications

Aperture: 4" (10.2)
Ceiling opening: 4-1/8" (10.5)
Overlap trim: 4-7/8" (12.4)
Height: 4" (10.2)

All dimensions are inches (centimeters).



ORDERING INFORMATION

For shortest lead times, configure products using **bolded options**.

Example: 4BLMW LED

4BL		MW		LED			
Series/Reflector	Finish	Lamps/Lumens	Color temperature	Voltage			
4BL 4" baffle LED module	MW Matte white	LED 400 lumens	(blank) 3000 K	(blank) 120V			

To order with housing:

ORDERING INFORMATION

For shortest lead times, configure products using **bolded options**.

Example: L3 4BLMW LED U

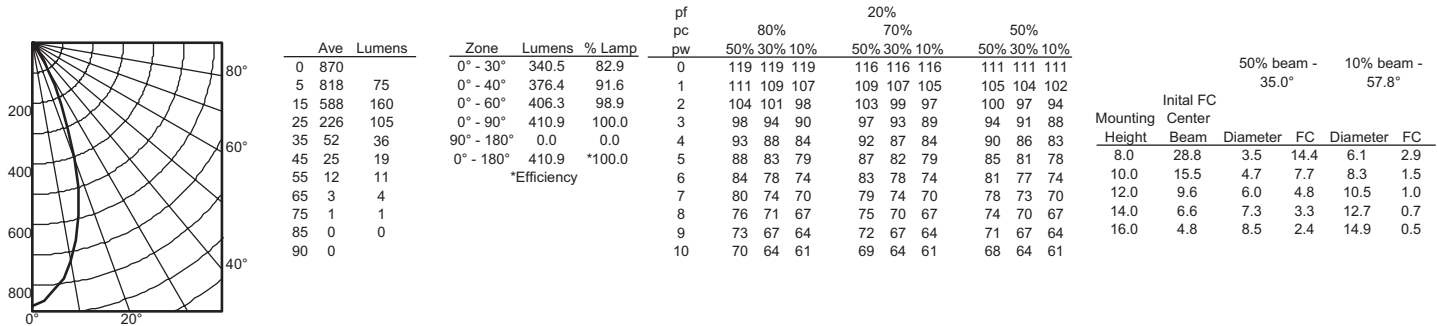
		4BLMW LED					
Series	Reflector	Options	Packaging				
L3 New construction rough-in L3R Remodel rough-in	4BLMW LED	PHC Poke-home wire connectors	R6 Resale pack of six U Unit (non-stock)				

L Series 4" LED Module - ENERGY STAR®

PHOTOMETRICS

Distribution Curve	Distribution Data	Output Data	Coefficient of Utilization	Illuminance Data at 30" Above Floor for a Single Luminaire
--------------------	-------------------	-------------	----------------------------	--

4BLMW LED, 3000 K LEDs, 410 delivered lumens, 8.6 input watts (45 lpw), test no. LTL20620, tested in accordance with IESNA LM 79-08



ENERGY DATA

ENERGY DATA*	
Lumens	400
Min. starting temp	-18°C (0°F)
EMI/RFI	FCC Title 47 CFR, Part 15, Class B
Sound rating	Class A standards
Input voltage	120V
Min. power factor	0.80
Input frequency	50/60 Hz
Rated wattage	9.0W
Input power	9.0W
Input current	0.089A

*Values at non-dimming line voltage.

Lithonia Lighting

lighting facts®

A Program of the U.S. DOE

Light Output (Lumens)
400

Watts
9

Lumens per Watt (Efficacy)
44

Color Accuracy
83

Color Rendering Index (CRI)

Light Color
3000 (Bright White)

Correlated Color Temperature (CCT)

2700K
3000K
4500K
6500K

Warm White Bright White Daylight

All results are according to IESNA LM-79-2008: *Approved Method for the Electrical and Photometric Testing of Solid-State Lighting*. The U.S. Department of Energy (DOE) verifies product test data and results.

Visit www.lightingfacts.com for the Label Reference Guide.

Registration Number: 5CTH-7Z3ELP (1/26/2012)
 Model Number: 4BLMW LED
 Type: Recessed downlight

Notes

- Actual wattage may differ by +/- 13% when operating at 120V +/- 10%.