



MR16/GU10/PAR16 LED

7.3MR16/LED/827/F35/DIM 12V 10/1FB

Philips MR16 Dimmable LED Lamps provide ambient level light to illuminate hard to maintain applications. Increased transformer compatibility allows for operation on a wider range of transformers. Available in dimmable and non-dimmable versions, these lamps are ideal for track and open recessed fixtures in retail, hospitality and residential spaces.

Product data

General Information	
Cap-Base	GU5.3 [GU5.3]
RoHS mark	RoHS mark
Nominal Lifetime (Nom)	25000 h
Switching Cycle	50000X
Technical Type	7.3-50W
Light Technical	
Color Code	827 [CCT of 2700K]
Beam Angle (Nom)	35 °
Initial lumen (Nom)	515 lm
Luminous Flux (Rated) (Nom)	515 lm
Luminous Intensity (Nom)	1350 cd
Color Designation	Warm White (WW)
Rated Beam Angle	35 °
Correlated Color Temperature (Nom)	2700 K
Luminous Efficacy (rated) (Nom)	70.00 lm/W
Color Consistency	<4
Color Rendering Index (Nom)	80

LLMF At End Of Nominal Lifetime (Nom)	70 %
Operating and Electrical	
Power (Rated) (Nom)	7.3 W
Lamp Current (Nom)	830 mA
Wattage Equivalent	50 W
Starting Time (Nom)	0.5 s
Warm Up Time to 60% Light (Nom)	0.5 s
Power Factor (Nom)	0.7
Voltage (Nom)	ac electronic 12 V
Temperature	
T-Case Maximum (Nom)	90 °C
Controls and Dimming	
Dimmable	Yes
Approval and Application	
Suitable For Accent Lighting	Yes

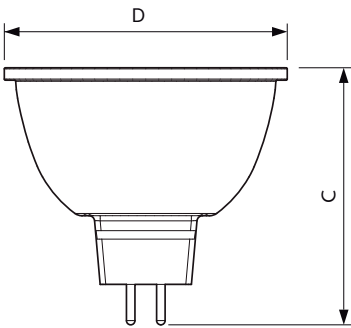
MR16/GU10/PAR16 LED

Product Data

Order product name	7.3MR16/LED/827/F35/DIM 12V 10/1FB
EAN/UPC - Product	046677533144
Order code	533141
Numerator - Quantity Per Pack	1

Numerator - Packs per outer box	10
Material Nr. (12NC)	929001881004
Net Weight (Piece)	0.050 kg

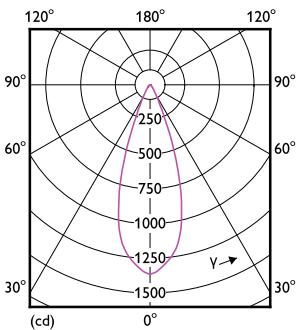
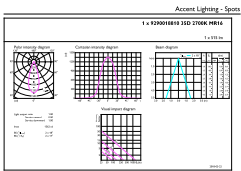
Dimensional drawing



MR16 12V 7-35W 400lm 35D 2700K GU5.3 D

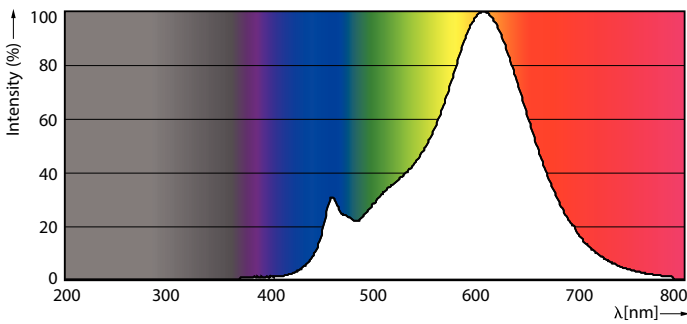
Product	D	C
7.3MR16/LED/827/F35/DIM 12V 10/1FB	50.5 mm	46.5 mm

Photometric data



LEDspot 7.3W GU5.3 MR16 827 35D DIM

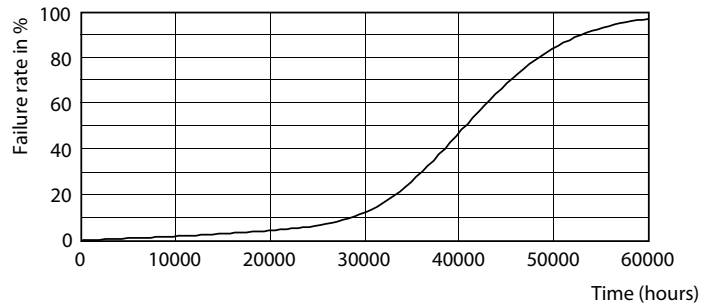
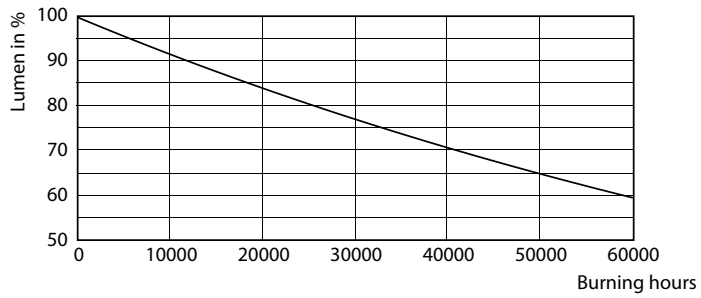
LEDspot 7.3W GU5.3 MR16 827 35D DIM



LEDspot 7.3W GU5.3 MR16 827 25-35D DIM

MR16/GU10/PAR16 LED

Lifetime



7-50W GU5-3 MR16

7-50W GU5-3 MR16

