

FEATURES & SPECIFICATIONS

INTENDED USE — Recessed housing rated IC. For new construction only.

Approved for all ceiling and wiring types.

Approved for direct burial in insulation.

CONSTRUCTION — Air-tight standard. Tested to meet current energy codes.

Steel housing with wire nuts for installation in existing plaster, sheet rock or mechanical ceiling. Heavy-gauge galvanized steel raceway arm.

Galvanized steel junction box with three 7/8" knockouts with slots for pryout. Not suitable for pulling wires.

Hook & hang snap-on J-box doors for easy access.

Rated for 90° Ground wire provided.

Galvanized bar hangers span up to 24" o.c. and positioning guide with integral T-bar locks.

ELECTRICAL — Quick disconnect provided for power connection to the LED modules.

Paint overspray masked by disposable disconnect plug.

Housing and LED module combination is IC rated and thermally protected.

120 volt only.

INSTALLATION — Air-tight housing suitable for air-tight installations. Refer to energy codes for proper installations.

2x8 and 2x6 wood joist or T-bar installation.

Expandable bar hangers allow for off-center mounting in wood joist or T-bar ceilings. Length of 25-1/2" maximum 13-1/4" minimum or cut to fit 5-1/2" on center joist construction.

Max. ceiling thickness: 5/8" gypsum; 3/4" drop ceiling.

LISTINGS — UL Listed to US and Canadian safety standards. Damp location listing (See trim selection for wet location listing).

WARRANTY — 1-year limited warranty. Complete warranty terms located at

www.acuitybrands.com/CustomerResources/Terms_and_conditions.aspx

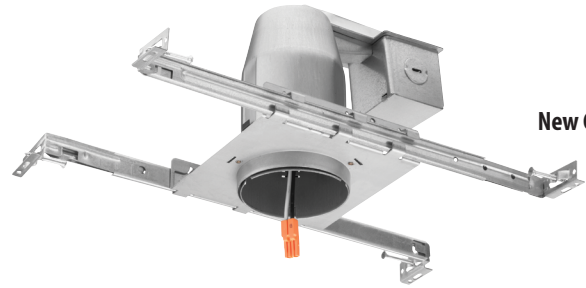
Note: Actual performance may differ as a result of end-user environment and application.

Specifications subject to change without notice.

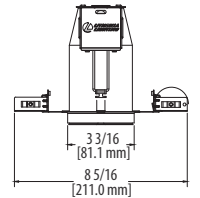
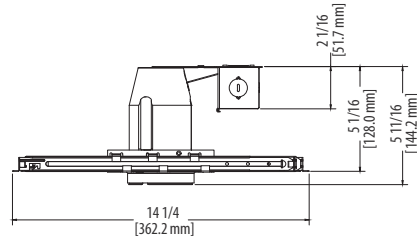
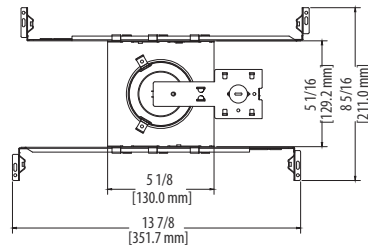
Catalog Number
Notes
Type

3" LED Housing

L2XLED T24



LED
IC
New Construction



Specifications

Height: 6 (15.2)

Ceiling opening: 3-1/8 (7.9)

Aperture: 3 (7.6)

Overlap Trim: 4 (10.2)

All dimensions are inches (centimeters) unless otherwise specified.

ORDERING INFORMATION

For shortest lead times, configure product using **bolded options**.

Example: L2XLED T24

L2XLED T24

Series

L2XLED T24 3" LED New Construction Housing

Notes

See trim summary on reverse side for maximum wattages.

L2XLED T24 3" New Construction Housing

iGimbal LED Module (Damp Location)

5
YEAR
warranty

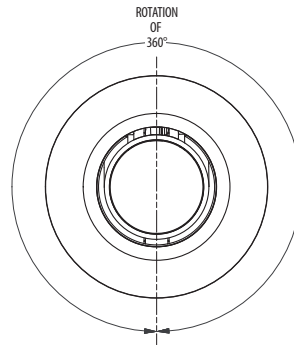
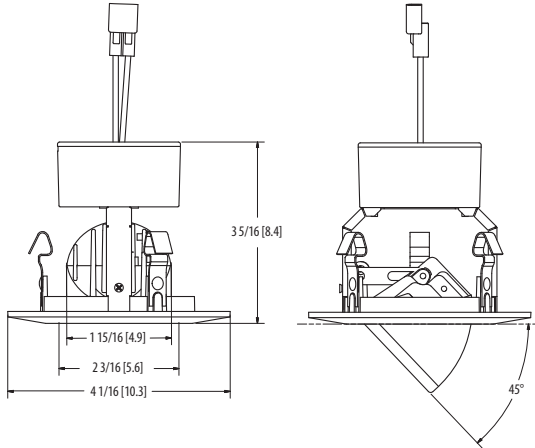


ORDERING INFORMATION

Lead times will vary depending on options selected. Consult with your sales representative.

Example: 3iG LED 30K 90CRI L2XRLED T24

Series/Finish	Lamp	CCT/CRI/W/Lumens	Voltage
3iG 3" iGimbal module MW Matte White MB Matte black ¹ BN Brushed nickel ¹ ORB Oil-rubbed bronze ¹	LED	27K 90CRI 2700K/90CRI/8.7W/530L 30K 90CRI 3000K/91CRI/8.7W/560L 40K 90CRI 4000K/92CRI/8.7W/590L	(blank) 120V



Notes

- 1 Minimum 90-day lead time for non-standard color finishes; minimum 50-piece order quantity.

L2XLED T24 3" New Construction Housing

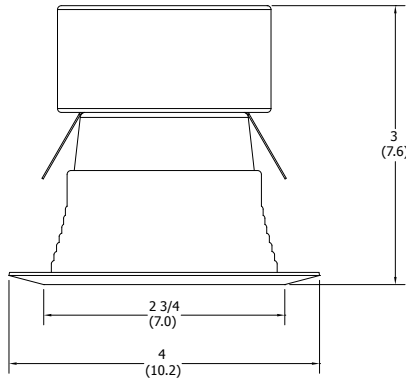
E Series LED Modules (Wet Location)



ORDERING INFORMATION For shortest lead times, configure product using **bolded options**.

Example: 3BEMW LED 30K 90CRI L2XRLED T24

Series/Finish	Lamps	Color temp/Watts/Lumens	CRI	Voltage
3BEMW 3" Baffle LED Module matte white	LED	30K 3000K / 7.4W / 450L	90CRI 90 CRI	(blank) 120V



ORDERING INFORMATION For shortest lead times, configure product using **bolded options**.

Example: 43BEMW LED 30K L2XRLED T24

Series/Finish	Lamps	CCT/CRI/W/Lumens	Voltage
43BEMW 3" / 4" baffle LED module, matte white	LED	30K 3000K/80CRI/8.5W/590L	(blank) 120V

