

ATF7545

45W LED Track Head
Track Lighting

Job Information		
Project Name		Type
Location		
Quantity		Date
Contact/Phone		
Notes		

Features

Body

Constructed of aluminum, the body features an aesthetically pleasing smooth cylindrical shape. The body included a colour matching aluminum heat sink in order to provide maximum heat dissipation.

Beam Spread

With a PMMA reflector lens, this fixture is available in 15° and 38° beam angle.

Adjustability

Adjustable up to 90° tilt and 330° rotation to allow for spotlight into multiple directions.

LED Characteristics

High powered 45W CREE® CXA2540 LED array maintains uniform intensity with a typical luminous flux up to 4428 lumens, making it a suitable replacement for 70W PAR30 HID

lamps; with a CRI of 80+. Available in 3000 K and 3500 K correlated colour temperature.

Compatibility

Fixture is provided with A-Line connector which is compatible with Juno style track. For other connector configurations (Halo, Liteline), please contact your A-Line representative.

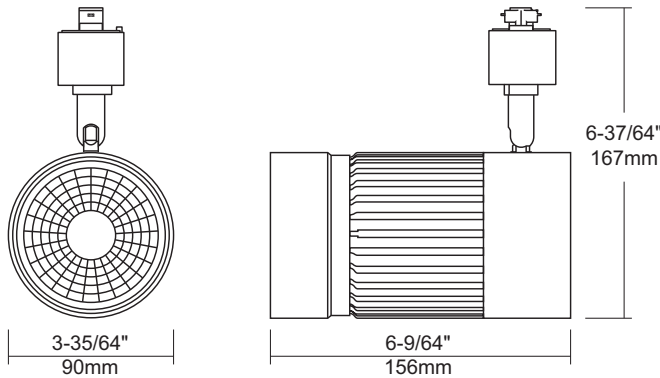
SPECIFICATION

Application	Track
Approved Location	Dry
Beam Angle	15° / 38°
CCT	3000 K / 3500 K
Certification	cETLus
Colour	BK / WH
CRI	80+
Dimmable	Yes
LED Life Span	40,000 hrs
LM79	Yes
LM80	Yes
Lumens	Up to 4428
Lumens per Watt	Up to 98.4
Max. Case Temp.	85°C (185°F)
Min. Starting Temp.	-20°C (-4°F)
Power Factor	0.99
Primary Voltage	120-240V AC
Projected Life	70% @ 50,000 hrs
Rotation	330°
Tilt	90°
Warranty	3 Years



Description

The ATF7545 is a 45W high powered LED track fixture specially designed for task and accent lighting. Available in black, silver and white finishes.



Notes: For additional options please consult your A-Line Lighting representative. Juno is a registered trademark of Juno Lighting Group. Halo is a registered trademark of Cooper Lighting. Due to our continued efforts to improve our products, product specifications are subject to change without notice.

Ordering Guide

Connector Type		Colour Temp.	Beam Spread	Colour/Finish
<input type="text"/>	- ATF7545 -	<input type="text"/>	<input type="text"/>	<input type="text"/>
Blank : A-Line or Juno H : Halo LL : Liteline		30 : 3000 K 35 : 3500 K	15 : 15° 38 : 38°	BK : Black SL : Silver WH : White

Example: ATF7545-3038-WH

Photometry

ATF7545-3038 : 45W, LED Track, 3000 K, 38° Beam Angle

Zonal Lumen Summary

Zone	Lumens	% Luminaire
0-30	3,280.8	73.9%
0-40	3,832.4	86.3%
0-60	4,269.8	96.1%
60-90	161.7	3.6%
70-100	60.7	1.4%
90-120	4.3	0.1%
0-90	4,431.5	99.8%
90-180	9.9	0.2%
0-180	4,441.4	100%

