

PentaFlood

Size 5

Page 1 of 2

Features

- One-piece die-cast aluminum housing and lens frame. Lens frame fully gasketed, internally hinged and secured with four captive stainless steel hex-head screws for weatherproofing and leaves both hands free for service. Standard finish is Duraplex II™ bronze electrostatic powder coat, optional colours available.
- Lens is a clear, tempered, shock and heat resistant soda lime glass, permanently sealed with silicone to the lens frame.
- Porcelain, 4kV pulse rated, grip-type Mogul base socket prevents lamp loosening. 5kV for 1000W HPS.
- HID ballast, class H insulation, high power factor, CWA.
- HID lamps are BT/ED/E-56 for Metal Halide, & E-25 for High Pressure Sodium (see note # 3)
- Reflectors come in three standard grade & three specification grade 'PentaLume' distribution options:
 - Standard Grade**
 - Square (Standard)
 - Spot (S)
 - Cut-off (C)
 - PentaLume Grade**
 - Wide (PLW)
 - Narrow x Wide (PLNW)
 - Spot (PLS)
- Available in two mounting configurations:
 - **Adjustable Tenon Mount:** Die-cast aluminum construction, powder finished same as fixture, with 180° of adjustability. For 2" (2-3/8" OD) pipe or tenon. Includes fully enclosed wiring compartment with access plate.
 - **Yoke Mount:** Heavy gauge steel, powder finished same as fixture. Supplied standard with 3ft. SOW 16/3 cable.
- EPA: Effective Projected Area: 2.63 ft² [0.244m²]
- 3 year limited warranty.

Available up to 1500W Metal Halide,
1000W High Pressure Sodium



cUL Approved for Wet Locations
Yoke Mount IP65 Tested & Certified

Job Information

Type:

Job Name:

Cat. No.:

Lamp(s):

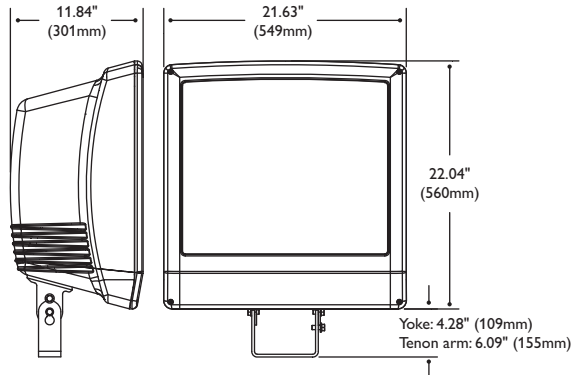
Notes:

PentaFlood

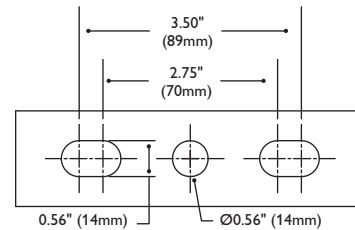
Size 5

Page 2 of 2

Dimensions



Yoke Mounting Pattern



Ordering information

Explanation of catalog number: Example: PF5Y1500SMALTRP-6W

PF	5						-		
Series: PF: Pentaflood	Size: 5	Mounting: A = Adjustable Tenon Y = Yoke ²	Wattage¹: 1000 = 1000W 1500 = 1500W	Reflector Type: Blank = Square C = Cutoff PLW = PentaLume Wide ³ PLNW = PentaLume Narrow x Wide ³ PLS = PentaLume Spot ³	Source: MA = Metal Halide LX = High Pressure Sodium PS = Pulse Start MH	Options: L = Lamp Included AM = Automatic Quartz Socket & Relay (Lamp not supplied) EM = Emergency Auxiliary Quartz Socket only (150W max.) FS = Single Line Fusing (120, 277, 347V only) TLR = Twist lock photocontrol receptacle TRP = Twist lock receptacle & photocontrol PCB = Button Photocontrol (120 or 277V only)	Voltage: 1 = 120V 2 = 208V 3 = 240V 4 = 277V 5 = 480V 6 = 347V T = Tri-Tap (120/277/347V)	Finish: Blank = Bronze W = White B = Black G = Grey	

1 MA (1000W, 1500W); LX (1000W).

2 Supplied with 3' SOW 16/3 cable.

3 PLW, PLNW, PLS reflector styles not available in 1500W MH & require E37 lamp size.

Job Information

Type:



© 2014 Koninklijke Philips N.V. All rights reserved.

Philips reserves the right to make changes in specifications and/or to discontinue any product at any time without notice or obligation and will not be liable for any consequences resulting from the use of this publication.

SD0828 06/14 page 2 of 2 www.philips.com/luminaires

Philips Lighting
North America Corporation
200 Franklin Square Drive
Somerset, NJ 08873
Tel. 855-486-2216

Imported by: Philips Lighting,
A division of Philips Electronics Ltd.
281 Hillmount Rd,
Markham, ON, Canada L6C 2S3
Tel. 800-668-9008