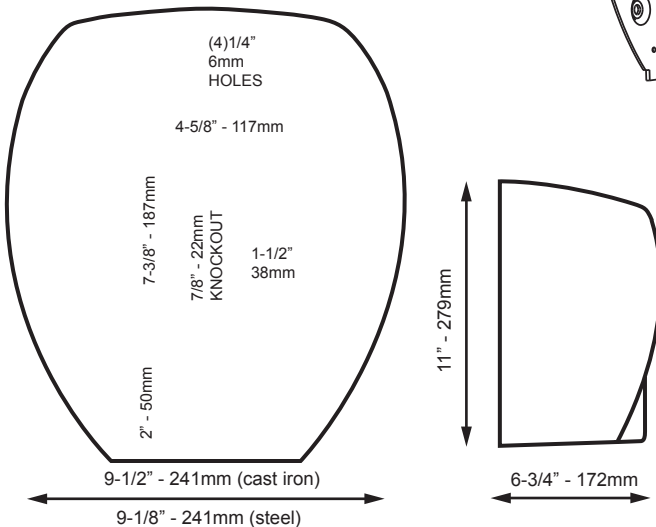


SPECIFICATIONS

- Voltage:** Universal - 115/208/230VAC 50/60Hz
Wattage: 1450 watts
Amps: 12.6 @ 115VAC, 6.3A @ 230VAC
Motor: 20,000 RPM high-output universal
Air velocity: 19,000 linear feet per minute
Discharged air temperature: 136°F / 58°C at ambient temperature 68°F / 20°C
Sensor: Solid state infra-red, self-calibrating
Circuit breaker: Bi-metallic temp. limiting, auto-resetting
Cover materials: Cast iron, ¼-inch (6mm) thick with porcelain enamel finish, or 16GA (1.5mm) stainless steel
Cover attachment: Tamper-proof screws
Dimensions: Cast iron : 11" H X 9-1/2" W X 6-3/4" D
 Stainless steel : 11" H X 9-1/8" W X 6-3/4" D
 279mm H X 241mm W X 172mm D
Net Weight: Cast iron cover - 22 lbs/10 kg
 Stainless steel cover - 11lbs/5 kg
Warranty: 10 years entire dryer
Available colours:
 White C-200100000
 Black C-200100002
 Grey C-200100001
 White Steel C-200000000
 Brushed stainless steel C-200220000
 Polished stainless steel C-200230000



DIMENSIONS

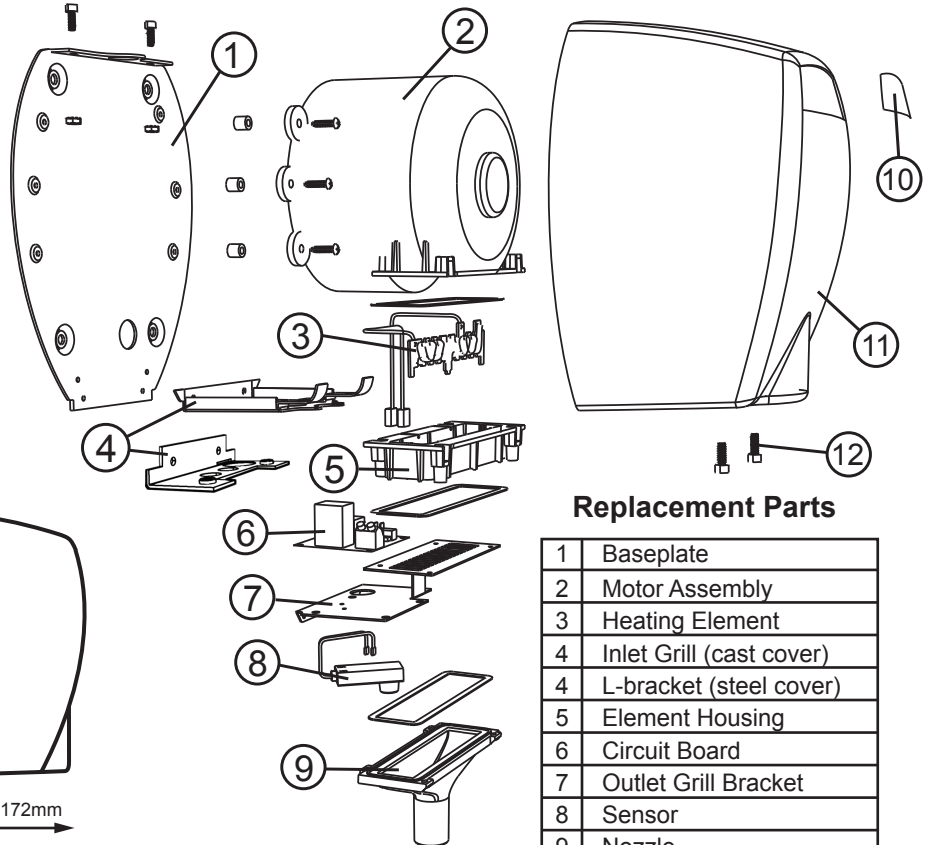


Distance from bottom edge of dryer to floor:

Men	47 in	119 cm
Women	44 in	112 cm
Children 8-10 years	35 in	89 cm
Children 11-13 years	38 in	97 cm
Children 14-16 years	44 in	112 cm
Disabled	36 in	91 cm

FEATURES

- Unsurpassed speed** – Blows water off hands and evaporates residual moisture with ultra-high-velocity warm air. Dries completely in 10 seconds
Universal voltage – Auto-sensing circuit instantly adjusts to 115, 208 or 230 volts
Intelligent sensor – Exclusive self-calibrating infra-red sensor continuously monitors and adjusts to compensate for changes in ambient conditions
Cast iron or stainless steel cover – Choose ¼-inch thick cast iron with a porcelain enamel finish for the ultimate in durability, or 16GA stainless steel with a stunning brushed or mirror polished finish
Compact, modern design – Elegant housing; the smallest 10-second hand dryer on the market
Environmentally friendly – Uses 1/6 the energy of conventional hand dryers and costs 25 times less than paper towels to operate
Long lasting - Virtually indestructible cover and high quality mechanism warranted for 10 years



Replacement Parts

1	Baseplate
2	Motor Assembly
3	Heating Element
4	Inlet Grill (cast cover)
4	L-bracket (steel cover)
5	Element Housing
6	Circuit Board
7	Outlet Grill Bracket
8	Sensor
9	Nozzle
10	Nameplate
11	Cover
12	Tamper-proof screw
	Tamper-proof key



Corporate Headquarters
 www.comacorporation.com
 9005 du Quartier, Unit B, Brossard, Qc, Canada J4Y 0A8

Customer Service

Tel: 450-659-9899 • 800-409-4583 • Fax: 450-659-3412 • 855-855-5305