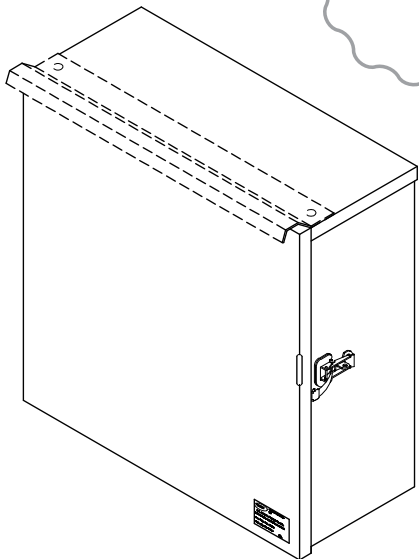


DANDY

17-03

fully suitable as a control, splitter or electrical cabinet



optional driphood side view

Model #DMCR 24-24-10 Shown

Note: prior to January 2010 this model was identified as DMC-3R series

REV1

WEATHERPROOF UTILITY CT/PT ENCLOSURE

Model #DMCR

- EEMAC 3R enclosure
- Specifically designed to house utility metering CT's/PT's
- Suitable for indoor and outdoor use
- Protection against rain, snow and ice
- Steel construction - galvanized body and powder coated ASA 61 grey door (except 48" x 48" which is fully ASA 61 grey)
- Piano hinge gasketed door c/w padlockable clasps or 3 point padlockable handle on two door cabinets only
- Four rear mounting dimples (except 48" x 48" which is c/w loose ears)
- Galvanized backpan
- Exceeds CSA specifications and is acceptable as an electrical enclosure

Options

- Plywood pan when used for Telecomm installations
- EEMAC 4 or 4X
- Loose field installable driphood

Model #	H x W x D (")	Doors	Weight (lbs)
DMCR 20-20-10	20 x 20 x 10	single	31
DMCR 24-24-10	24 x 24 x 10	single	57
DMCR 27-13-10	27 x 13 x 10	single	39
DMCR 30-30-10	30 x 30 x 10	single	83
DMCR 36-36-12	36 x 36 x 12	single	121
DMCR-2D 48-48-12	48 x 48 x 12	double	283