

4 WIRE SPLITTER TROUGH

EEMAC 3R

MODEL #DS3R-4

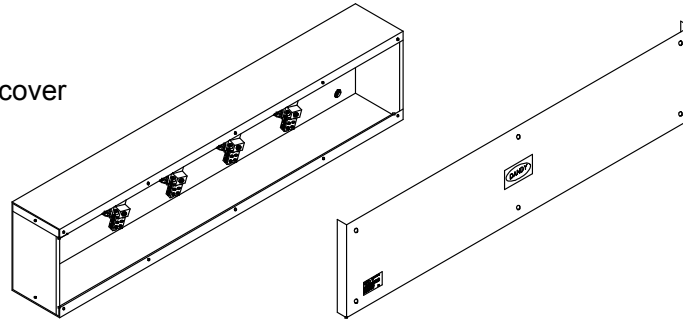


17-03

- EEMAC 3R enclosure
- Suitable for indoor or outdoor use
- Galvanized steel construction - ASA 61 grey cover
- 3 Pole 600V rated lugs provided
- Lugs Al/Cu rated - no knockouts
- Punch raised rear mounting dimples

Options

- EEMAC 4 or 4X



Model #DS3R-4-225-48 Shown

Model #	Dimensions H x W x D (")	Rating	Lug Ratings AWG		Weight (lbs)
			Mains	Secondary	
DS3R-4-125-36	8 x 36 x 5	125A, 600V	(1) 1/0-14	(6) 2-14	22.9
DS3R-4-125-48	8 x 46 x 5	125A, 600V	(1) 1/0-14	(6) 2-14	29.6
DS3R-4-225-36	9 x 36 x 6	225A, 600V	(1) 300-6	(6) 2/0-14	27.6
DS3R-4-225-48	9 x 46 x 6	225A, 600V	(1) 300-6	(6) 2/0-14	35.3
DS3R-4-225-60	9 x 58 x 6	225A, 600V	(1) 300-6	(6) 2/0-14	43.1
DS3R-4-225-72	9 x 70 x 6	225A, 600V	(1) 300-6	(6) 2/0-14	51.4
DS3R-4-400-36	10 x 36 x 6	400A, 600V	(1) 600-4 or (2) 250-1/0	(6) 3/0-14	30.4
DS3R-4-400-48	10 x 46 x 6	400A, 600V	(1) 600-4 or (2) 250-1/0	(6) 3/0-14	38.7
DS3R-4-400-60	10 x 58 x 6	400A, 600V	(1) 600-4 or (2) 250-1/0	(6) 3/0-14	46.9
DS3R-4-400-72	10 x 70 x 6	400A, 600V	(1) 600-4 or (2) 250-1/0	(6) 3/0-14	55.2
DS3R-4-600-48	12 x 46 x 7	600A, 600V	(2) 600-4 or (4) 250-1/0	(6) 3/0-14	46.9
DS3R-4-600-60	12 x 58 x 7	600A, 600V	(2) 600-4 or (4) 250-1/0	(6) 3/0-14	78.8
DS3R-4-600-72	12 x 70 x 7	600A, 600V	(2) 600-4 or (4) 250-1/0	(6) 3/0-14	92.7