



TRAC-MASTER®

One Circuit Trac System

TRAC SECTION, JOINERS & FEEDS T Series

Project: _____

Fixture Type: _____

Location: _____

Contact/Phone: _____

PRODUCT DESCRIPTION

Low-Profile, single-circuit trac sections for surface or pendant mounting. I-beam cross section provides added strength and rigidity in pendant suspended applications. Compatible with a full range of feed, connector and mounting accessories, as listed on back of this page, to complete virtually any installation requirement. Accepts all Trac-Master and Trac-Lites trac fixtures.

PRODUCT SPECIFICATIONS

Construction Extruded aluminum "I" beam channel • One-piece thermoplastic insulator • Injection molded polycarbonate dead-end with set screw • Standard lengths may be cut-to-length by installer.

Electrical Two 12 gauge solid copper conductors • Rated 20 amps at 120 volts • Aluminum channel used as system ground • One-piece insulator insures consistent conductor spacing for reliable electrical contact • Insulating bushings supplied at mounting hole locations to prevent shorts to ground.

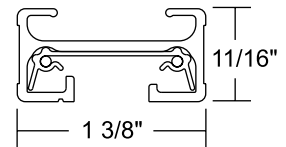
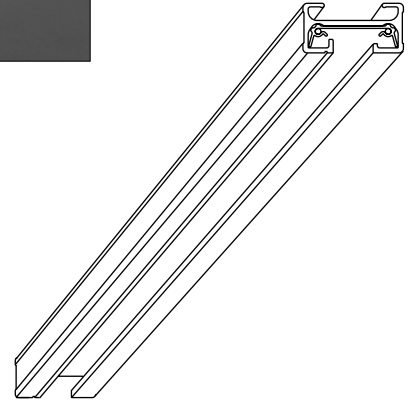
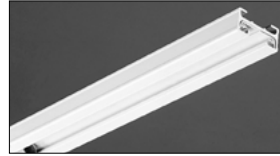
Labels UL listed, CSA certified.

PRODUCT INSTALLATION

Debossed polarity line provides visual cue to proper trac, trac connector and fixture alignment • Supplied with toggle bolts for surface mounting • Integral raceway in top of channel accommodates pendant mounting hardware and wire routing to electrical feed • Insulator stays same length as extrusion to simplify field-cutting of trac • Connectors and feeds simply push into trac sections.

Specifications subject to change without notice.

DIMENSIONS



ORDERING INFORMATION

Example: T 8FT WH

| Series | Length | Finish |
|--|---|--------------------|
| T Trac-Master 1-Circuit Track Sections | 2FT 2-foot track section; actual length 19-7/8" | BL Black |
| | 4FT 4-foot track section; actual length 43-7/8" | NAT Natural |
| | 6FT 6-foot track section; actual length 67-7/8" | SL Silver |
| | 8FT 8-foot track section; actual length 91-7/8" | WH White |
| | 12FT 12-foot track section; actual length 139-7/8" | |

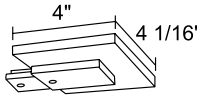
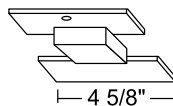
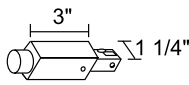
TRAC-MASTER®

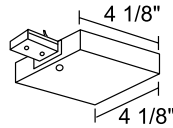
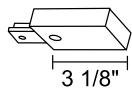
One Circuit Trac System

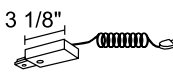
TRAC SECTION, JOINERS & FEEDS T Series

Electrical Feeds

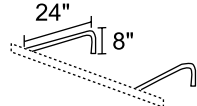
Examples: T21 BL, T34 RP WH

| T21 | T21 RP | T29 | T34 | T34 RP |
|---|---|--|--|--|
| BL, SL, WH | BL, SL, WH | BL, SL, WH | BL, SL, WH | BL, SL, WH |
| <p>End Feed Connector and Outlet Box Cover</p> <p>For outlet box feed. Includes: outlet box cover, fixture strap and ground screw.</p>  | <p>End Feed Connector and Outlet Box Cover</p> <p>Same as T21 except designed for use in opposite polarity orientation compared to standard feed connectors.</p> | <p>Floating Electrical Feed</p> <p>Permits mounting any point of trac under outlet box. Includes floating connector, outlet box cover plus extra trac dead end.</p>  | <p>Conduit End Feed</p> <p>For surface wiring. Use standard 1/2" connector.</p>  | <p>Conduit End Feed</p> <p>Same as T34 except designed for use in opposite polarity orientation compared to standard feed connectors.</p> |

| T36 | T36 RP | T38 | T38 RP |
|---|--|---|---|
| BL, SL, WH | BL, SL, WH | BL, SL, WH | BL, SL, WH |
| <p>T-Bar End Feed</p> <p>Wiring compartment contains standard 1/2" KO's. Feeds surface trac from above, when T-bar is directly above trac.</p>  | <p>T-Bar End Feed</p> <p>Same as T36 except designed for use in opposite polarity orientation compared to standard feed connectors.</p> | <p>Live End Feed Connector</p> <p>Feed trac from above with flexible conduit, BX, etc., or end feed in pendant systems. Accepts standard 1/2" connector.</p>  | <p>Live End Feed Connector</p> <p>Same as T38 except designed for use in opposite polarity orientation compared to standard feed connectors.</p> |

| T22 | T122 |
|---|---|
| BL, SL, WH | BL, SL, WH |
| <p>Cord and Plug End Feed</p> <p>Comes with 15' two-wire white cord. Includes surface wire retainers and in-line switch. Max cap. 7 amps. Not UL Listed.</p>  | <p>Cord and Plug End Feed</p> <p>Same as T122 but with matching color 3-wire grounded cord and plug. No switch. Not UL Listed.</p> |

Outrigger System

| T47 |
|--|
| BL, WH |
| <p>Outrigger Bracket (non-electrified)</p> <p>For mounting trac out from wall. Use two for 2', 4' or 6' trac sections, three for 8' trac sections and four for 12' trac sections. Order trac and connectors separately. For portable electrical feed, use T22 or T122 Cord & Plug Connector. For permanent wiring, use T38 end feed connector.</p>  |

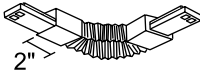
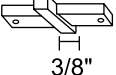
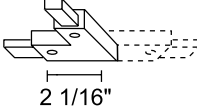
TRAC-MASTER®

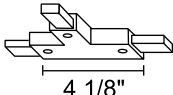
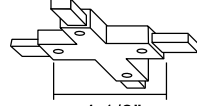
One Circuit Trac System

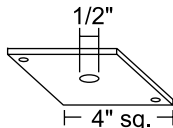

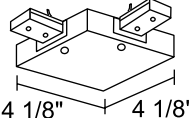
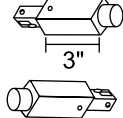
TRAC SECTION, JOINERS & FEEDS T Series

Trac Joiners & Dead End

Examples: T20 BL, T25 RP WH

| T20 | T23 | T24N ‡ | T24F ‡ |
|---|---|---|---|
| BL, SL, WH | BL, SL, WH | BL, SL, WH | BL, SL, WH |
| <p>Accordion Adjustable Joiner</p> <p>Can flex to 90° angle to left, right, up or down. Joins two trac sections.</p>  <p>2"</p> | <p>Miniature Straight Connector</p> <p>Joins two trac sections end to end.</p>  <p>3/8"</p> | <p>Adjustable Connector</p> <p>Joins two trac sections to make a 90° angle or straight run. Straight and right angle covers supplied. For outlet box feed, No. T27 cover plate required.</p>  <p>2 1/16"</p> | <p>Adjustable Connector</p> <p>Same as T24 but with integral ground connection. For outlet box feed, No. T27 cover plate required.</p> |

| T25 ‡ | T25 RP ‡ | T25 F ‡ | T26 ‡ | T26 F ‡ |
|--|---|--|---|--|
| BL, SL, WH | BL, SL, WH | BL, SL, WH | BL, SL, WH | BL, SL, WH |
| <p>"T" Connector</p> <p>Joins three trac sections. For outlet box feed, No. T27 cover plate required.</p>  <p>4 1/8"</p> | <p>"T" Connector</p> <p>Same as T25 except designed for use in opposite polarity orientation compared to standard feed connectors.</p> | <p>"T" Connector</p> <p>Same as T25 but with integral ground connection. For outlet box feed, No. T27 cover plate required.</p> | <p>"X" Connector</p> <p>Joins four trac sections at 90° angles. For outlet box feed, T27 cover plate required.</p>  <p>4 1/8"</p> | <p>"X" Connector</p> <p>Same as T26 but with integral ground connection. For outlet box feed, No. T27 cover plate required.</p> |

| T27 | T28 | T35 | T49 |
|--|--|---|---|
| BL, SL, WH | BL, SL, WH | BL, SL, WH | BL, SL, WH |
| <p>Outlet Box Cover</p> <p>Use with Nos. T24/T25/T26 for outlet box electrical feed. Includes: nipple, locknut and ground screw.</p>  <p>1/2" 4" sq.</p> | <p>Trac Dead End</p> <p>For use with field-cut trac sections.</p>  | <p>T-Bar Adjustable Joiner Feed</p> <p>Joins two trac sections to make 90° angle or straight run. Wiring compartment contains standard 1/2" KO's. Feeds from above when T-bar is directly above trac.</p>  <p>4 1/8" 4 1/8"</p> | <p>Trac Continuation Kit</p> <p>Permits trac to continue a run around obstructions. Includes one T34 Conduit Feed and one T34 RP Conduit Feed. Fits standard 1/2" conduit.</p>  <p>3"</p> |

‡ T24N, T25 and T26 may not be used as feed connectors in Canada due to special grounding requirements – T24F, T25F & T26F are approved for use as feed connectors in Canada (may also be used in U.S.).