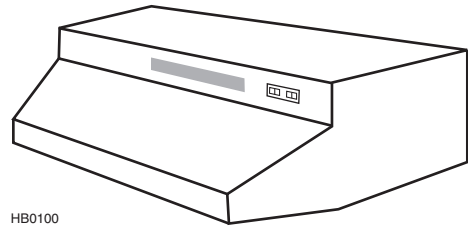


RL SERIES TWO SPEED RANGE HOOD



HB0100

Designed with simplicity in mind, the RL Series range hood provides the high quality you expect and the value you demand.

FEATURES

- Contains rocker type fan and light switches
- Units may be installed in three (3) different configurations:
 - 3¼" x 10" duct for either vertical or horizontal ducting
 - 7" round duct for vertical ducting
 - Not ducted - requires charcoal filter model FKM65 (purchase separately)
- Unit includes a 3¼" x 10" damper and adapter
- Uses a 75 W light with diffuser (bulb not included)
- Available in 24" and 30" widths
- Dual speed fan blade motor
- Mitered sides and hemmed bottom for added safety

TYPICAL SPECIFICATION

The range hood shall be NuTone RL Series.

It shall be available in 24" and 30" widths.

Unit shall have a built-in back draft damper and be ducted to exterior of dwelling either horizontally or vertically or optionally not ducted with use of charcoal filter model FKM65 (purchase separately).

Unit shall have a two-speed fan switch and a separate light switch.

Sides of unit shall be mitered and bottom edged hemmed with no sharp edges to insure customer safety.

Air delivery shall be no less than 180 CFM (85.0 L/s) and sound levels no greater than 7.5 Sones (vertical discharge). All air and sound ratings shall be certified by HVI.

Units shall be UL listed and CSA certified.



HVI-2100 CERTIFIED RATINGS comply with new testing technologies and procedures prescribed by the Home Ventilating Institute, for off-the-shelf products, as they are available to consumers. Product performance is rated at 0.1 in. static pressure, based on tests conducted in AMCA's state-of-the-art test laboratory. Sones are a measure of humanly-perceived loudness, based on laboratory measurements.



Broan-NuTone Canada Inc.; Mississauga, Ontario www.broan.ca 888-882-7626

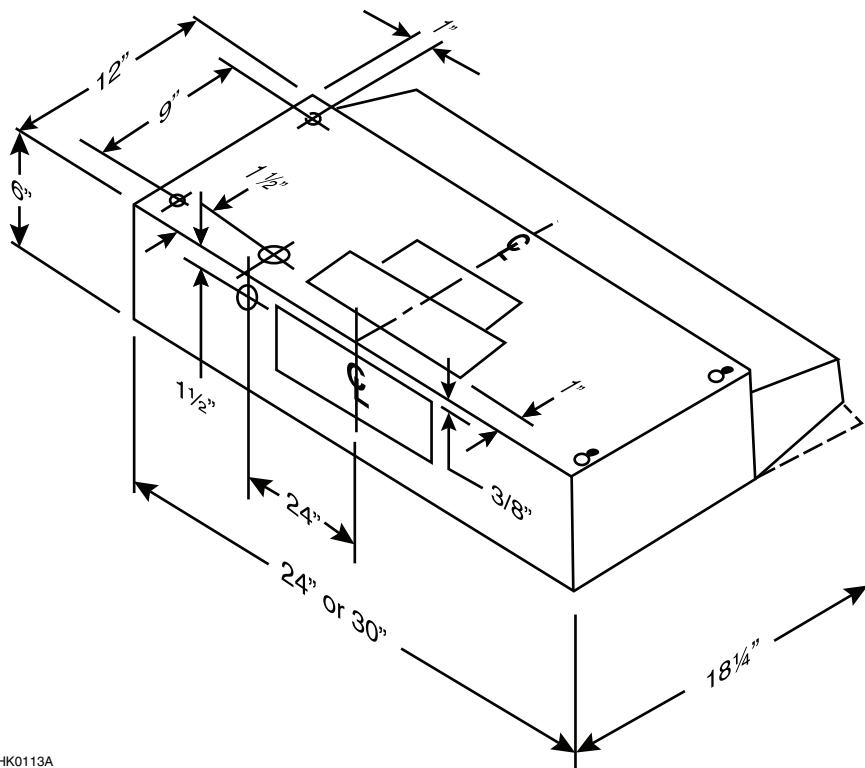
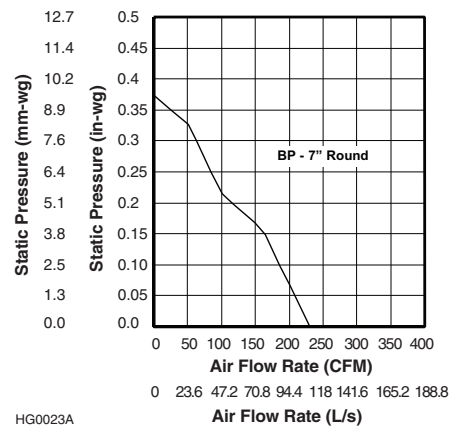
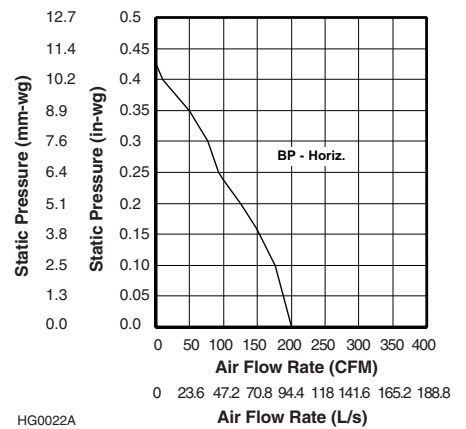
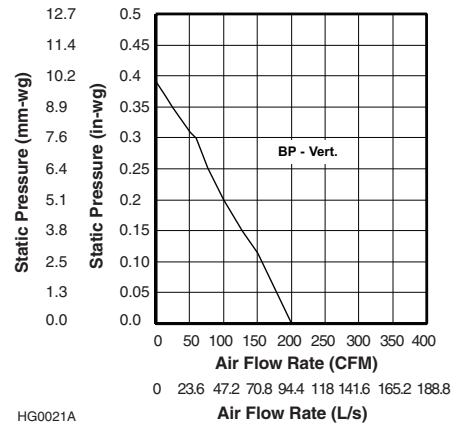
| REFERENCE | QTY. | REMARKS | Project |
|-----------|------|---------|--|
| | | | Location |
| | | | Architect |
| | | | Engineer |
| | | | Contractor |
| | | | Submitted by Date |

PERFORMANCE RATINGS

RL SERIES TWO SPEED RANGE HOOD

SPECIFICATIONS

| VOLTS | AMPS | CFM (L/s) | | | SONES | | | DUCT |
|-------|------|---------------|---------------|---------------|----------|------------|-------|--------------------------------|
| | | VERTICAL | HORIZONTAL | ROUND | VERTICAL | HORIZONTAL | ROUND | |
| 120 | 1.7 | 180 (85.0) | 180 (85.0) | 210 (99.1) | 7.5 | 7.0 | 7.0 | 3 1/4" x 10" OR 7" ROUND |
| | | | | | | | | |



HVI-2100 CERTIFIED RATINGS comply with new testing technologies and procedures prescribed by the Home Ventilating Institute, for off-the-shelf products, as they are available to consumers. Product performance is rated at 0.1 in. static pressure, based on tests conducted in AMCA's state-of-the-art test laboratory. Sones are a measure of humanly-perceived loudness, based on laboratory measurements.