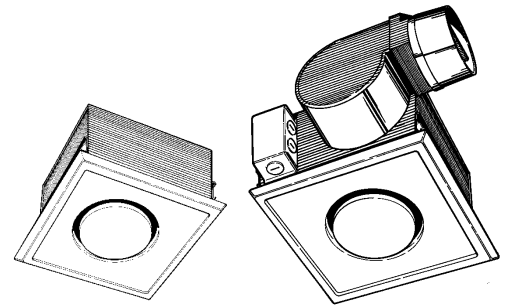




MODELS 161M & 162M INFRARED BULB HEATERS



Silent warmth and the choice of added ventilation in a compact design.

FEATURES

- White polymeric grille
- Sturdy steel housing
- Adjustable mounting brackets that span up to 24" (609.6 mm)
- Housing can be adjusted vertically after ceiling is finished
- Uses 250W BR40-size infrared bulb (not included)

MODEL 162M BULB HEATER/FAN ONLY

- Plug-in, permanently lubricated motor
- Quiet, polymeric blower wheel
- Polymeric damper/duct connector with 1-5/8" (41.3 mm) long tapered sleeve and no metallic clatter
- Heat and Vent functions may be controlled separately or in combination
- Model 162M suitable for use in insulated ceilings (Type I.C.)

NOTE: For installation in ceilings up to 12/12 pitch

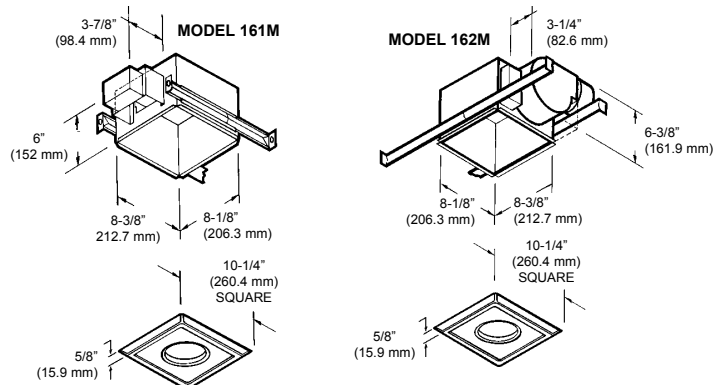
TYPICAL SPECIFICATIONS

Bulb heater shall be Broan model 161M or 162M. Heater shall have corrosion resistant steel housing and adjustable mounting brackets. Unit must use a 250W BR40-size infrared bulb. Bulb heater to be CSA certified.

MODEL 162M BULB HEATER/FAN ONLY:

Motor assembly to be removable and permanently lubricated. Non-metallic damper/duct connector to be included. Heater and ventilator to operate separately (or in combination) by using an accessory control (purchase separately).

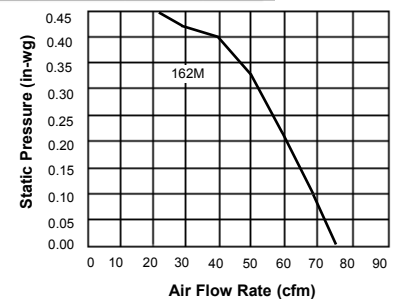
Air delivery shall be no less than 70 CFM (33 L/s) and sound level no greater than 3.5 Sones. All air and sound ratings shall be certified by the HVI. Model 162M suitable for use in insulated ceilings (Type I.C.) up to an R40 factor.



SPECIFICATIONS

MODEL	VOLTS	AMPS	WATTS*	SONES	CFM (L/s)	DUCT (mm)
161M	120	2.1	250**	X	X	X
162M	120	2.5	300**	3.5	70 (33)	4" (101.6)

* Total connected load
 **BR40-size infrared bulbs. Use house wiring rated 75°C min. for Model 161M, 60°C for Model 162M



HVI-2100 CERTIFIED RATINGS comply with the new testing technologies and procedures prescribed by the Home Ventilation Institute, for off-the-shelf products, as they are available to consumers. Product performance is rated at 0.1 in. static pressure, based on tests conducted in AMCA's state-of-the-art laboratory. Sones are a measure of humanly produced loudness, based on laboratory measurements.



Broan-NuTone LLC, Hartford, Wisconsin, U.S.A. 53027
Broan-NuTone Canada Inc., Mississauga, Ontario, Canada L5T 1H9

REFERENCE	QTY.	REMARKS	Project
			Location
			Architect
			Engineer
			Contractor
			Submitted by Date