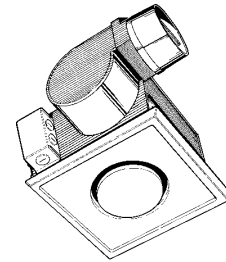


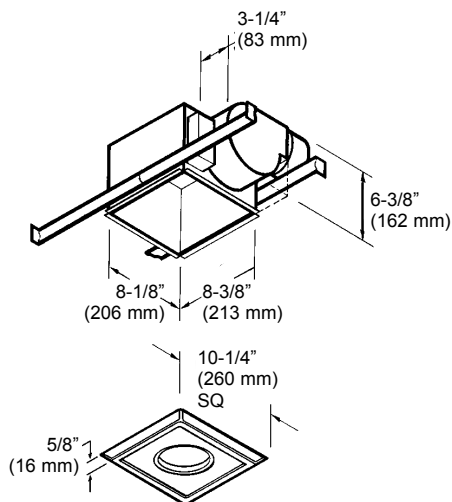
MODEL 9417DNM INFRARED BULB HEATERS



Silent warmth and the choice of added ventilation in a compact design.

FEATURES

- White polymeric grille
- Sturdy steel housing
- Adjustable mounting brackets that span up to 24" (610 mm)
- Housing can be adjusted vertically after ceiling is finished
- Uses 250W BR40-size infrared bulb (not included)
- Plug-in, permanently lubricated motor
- Quiet, polymeric blower wheel
- Polymeric damper/duct connector with 1-5/8" (41 mm) long tapered sleeve and no metallic clatter
- Heat and Vent functions may be controlled separately or in combination
- Suitable for use in insulated ceilings (Type I.C.)



TYPICAL SPECIFICATIONS

Bulb heater shall be NuTone model 9417DNM.

Heater shall have corrosion resistant steel housing and adjustable mounting brackets.

Unit must use a 250W BR40-size infrared bulb. Bulb heater to be CSA certified.

Motor assembly to be removable and permanently lubricated.

Non-metallic damper/duct connector to be included.

Heater and ventilator to operate separately (or in combination).

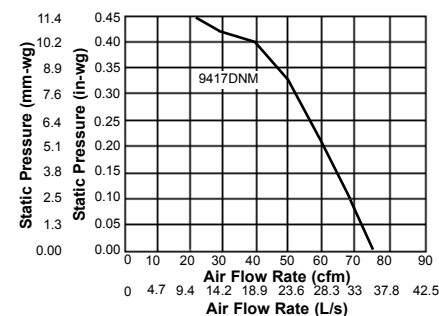
Air delivery shall be no less than 70 CFM (33 L/s) and sound level no greater than 3.5 Sones. All air and sound ratings shall be certified by the HVI. Suitable for use in insulated ceilings (Type I.C.).

SPECIFICATIONS

MODEL	VOLTS	AMPS	WATTS*	SONES	CFM (L/s)	DUCT (mm)
9417DNM	120	2.5	300**	3.5	70 (33)	4" (102)

* Total connected load

**BR40-size infrared bulbs. Use house wiring rated 60°C min.



HVI-2100 CERTIFIED RATINGS comply with new testing technologies and procedures prescribed by the Home Ventilating Institute, for off-the-shelf products, as they are available to consumers. Product performance is rated at 0.1 in. (2.54 mm) static pressure, based on tests conducted in AMCA's state-of-the-art test laboratory. Sones are a measure of humanly-perceived loudness, based on laboratory measurements.



NuTone, Inc., 4820 Red Bank Road, Cincinnati, OH 45227 (1-800-543-8687)
Broan-NuTone Canada Inc., 1140 Tristar Drive, Mississauga, Ontario, Canada L5T 1H9 (1-888-882-7626)

REFERENCE	QTY.	REMARKS	Project
			Location
			Architect
			Engineer
			Contractor
			Submitted by Date