



### Deluxe Fans

Quiet, high performance fans and fan-lights with modern styled, low profile grilles.

Deluxe series bathroom fans for fresher, cleaner bathrooms with stylish design to accentuate any bathroom décor.

- Permanently lubricated maintenance-free motor
- UL listed for use over bathtubs and showers when connected to a GFCI protected branch circuit - 763RLN and 769RL models only'
- Rugged steel housing with mounting ears
- 4" round duct connector
- Low-profile grille design suits any decor
- Torsion spring grille mounting means no tools are required to install grille
- Mounts between joist or directly to framing members
- Housing Dimension: 8-1/4" x 8" x 5-3/4"
- Suitable for 2" x 6" and 2" x 8" constructions
- 90 and 110 CFM models are offered in project packs for contractor convenience
- Power Rating: 120/60

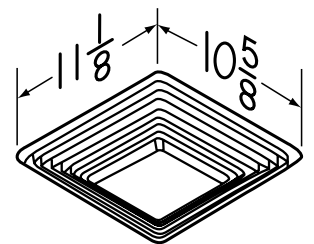
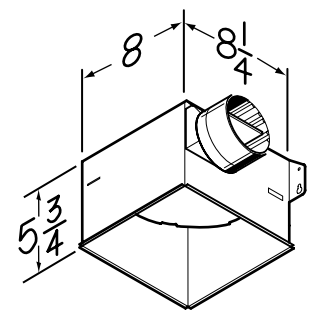
#### SPECIFICATIONS

MODEL	FUNCTION	CFM AT 0.1" SP**	L/s*** AT 0.1" SP	SONES AT 0.1" SP	AMPS	SHIPPING WEIGHT (POUNDS)	PROJECT PACK (QTY. 4)	HOUSING PACK (QTY. 4)
671SP	Fan	90	42.5	2.5	0.5	6.0	F671	H800
672SP	Fan	110	51.9	4.0	1.0	6.3	F672	H800
NT080C	Fan	80	37.8	2.5	0.5	6.0	N/A	N/A
8814R*	Fan	110	51.9	4.0	1.2	8.0	N/A	N/A
763RLN	Fan-Light	50	23.6	2.5	1.4	7.0	N/A	N/A
769RL	Fan-Light	70	33.0	3.0	2.0	7.0	N/A	N/A

\* 8814R is CSA approved as opposed to cUL US.

\*\* Static pressure

\*\*\* Litres per second



Dimensions shown are in inches.



87249B