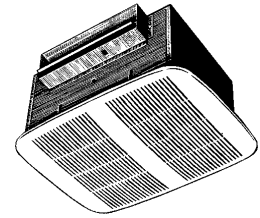


# MODELS QT200 & QT300 QUIETTEST® TWIN BLOWER VENTILATION FAN



### FEATURES

#### BLOWER:

- For bathrooms up to 185 sq. ft. (17.19 m<sup>2</sup>), other rooms up to 250 sq. ft. (23.2 m<sup>2</sup>) (model QT200), for rooms up to 375 sq. ft. (34.8 m<sup>2</sup>) (model QT300)
- Low RPM motor plugs into prewired junction box.
- Motor and twin blowers dynamically balanced for smooth, quiet operation

#### GRILLE:

- White polymeric grille

#### HOUSING:

- Galvanized steel and sturdy brown-enamel housing is lined with sound-deadening foam for quiet operation
- Vents horizontally or vertically with 3-1/4" x 10" (83 mm x 254 mm) duct
- Duct collar with quiet backdraft damper included
- Ceiling installation
- Installs easily between 16" (406 mm) O.C. joists with slotted mounting brackets. Slots on the sides of the housing provide alternate mounting
- Suitable for use with solid state speed control (speed control sold separately)
- Wiring knockouts provided on the top and back of the housing

NOTE: Not for use in kitchens

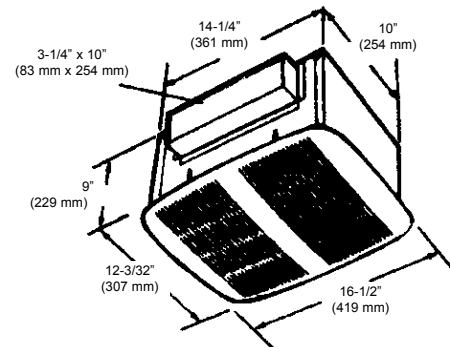
### TYPICAL SPECIFICATIONS

Unit shall be NuTone models QT200 or QT300.

Unit shall have galvanized steel housing with brown enamel finish, 14-1/4" x 10" x 9" (362 mm x 254 mm x 229 mm) with a white polymeric grille 16-1/2" x 12-3/32" (419 mm x 307 mm) and extend 5/8" (16 mm) in depth.

Motor is thermally protected with two aluminum, electronically-balanced blower wheels. Duct collar includes quiet backdraft damper. Do not mount over range, bathtub or shower stall. Not for use in kitchens.

Air delivery shall be no less than 200 CFM (94 L/s) model QT200, 300 CFM (142 L/s) model QT300 and sound levels shall be no greater than 2.0 sones (QT200), 4.5 sones (QT300). All air and sound ratings shall be certified by the HVI. Units shall be UL listed and CSA certified.



HVI-2100 CERTIFIED RATINGS comply with new testing technologies and procedures prescribed by the Home Ventilating Institute, for off-the-shelf products, as they are available to consumers. Product performance is rated at 0.1 in. (2.54 mm) static pressure, based on tests conducted in AMCA's state-of-the-art test laboratory. Sones are a measure of humanly-perceived loudness, based on laboratory measurements.

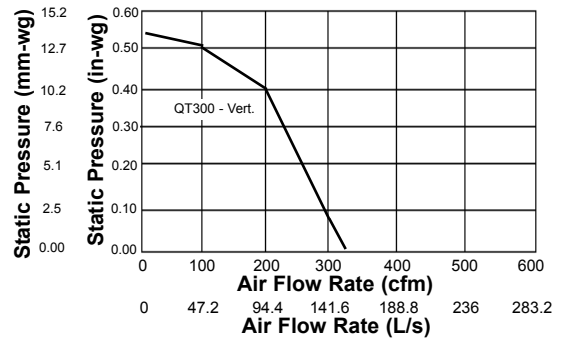
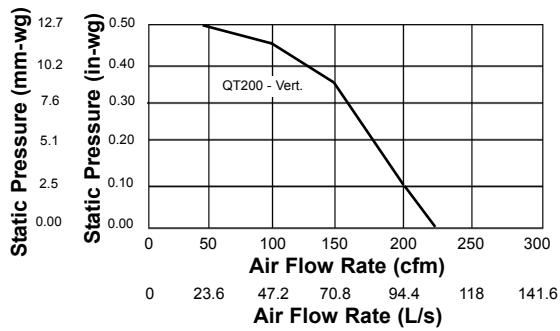


Broan-NuTone Canada Inc., 1140 Tristar Drive, Mississauga, Ontario, Canada L5T 1H9 (1-888-882-7626)  
NuTone Inc., 4820 Red Bank Road, Cincinnati, OH 45227 (1-800-543-8687)

REFERENCE	QTY.	REMARKS	Project
			Location
			Architect
			Engineer
			Contractor
			Submitted by <span style="float: right;">Date</span>

# PERFORMANCE RATINGS

## MODELS QT200 & QT300



### SPECIFICATIONS

MODEL	VOLTS	Hz	AMPS	SONES	CFM (L/s)	DUCT (mm)
QT200	120	60	1.0	2.0	200 (94)	3-1/4" x 10" (83 x 254)
QT300	120	60	2.5	4.5	300 (142)	3-1/4" x 10" (83 x 254)



HVI-2100 CERTIFIED RATINGS comply with new testing technologies and procedures prescribed by the Home Ventilating Institute, for off-the-shelf products, as they are available to consumers. Product performance is rated at 0.1 in. (2.54 mm) static pressure, based on tests conducted in AMCA's state-of-the-art test laboratory. Sones are a measure of humanly-perceived loudness, based on laboratory measurements.

