



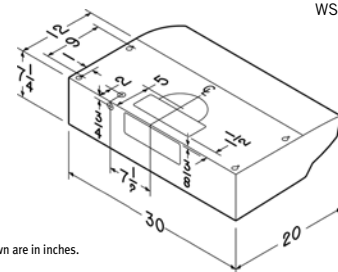
WS3



WS2



WS1



Dimensions shown are in inches.

NuTone WS Series

The WS series sets a new standard for style, quiet and ease of cleaning.

- Three-level light settings; dual halogen bulbs (PAR20) not included
- Heat Sentry™ detects excessive heat and turns unit to high automatically (WS2, WS3)

SPECIFICATIONS

SERIES	WIDTH	STAINLESS STEEL	WHITE	BLACK	BISCUIT	ALMOND	CONTROL	FILTER	CFM	SONES	INSTALLATION TYPE
WS3	30"	WS330SSC	WS330WWC	WS330BLC	—	—	Three-speed electronic control with boost mode	Professional style filters	430	0.4	3 1/4" x 10" (H.V) 7" round*, non-ducted
WS2	30"	WS230SSC	WS230WWC	WS230BLC	—	—	Three-speed electronic control	Micromesh filters	300	0.9	3 1/4" x 10" (H.V) 7" round*, non-ducted
WS1	30"	WS130SSC	WS130WWC	WS130BLC	—	WS130AAC	Two-speed rocker switch control	Aluminum filters	220	1.5	3 1/4" x 10" (H.V) 7" round*, non-ducted

OPTIONS

BPSF30	Replacement Charcoal Filter 30" (WS)	BPS2FA30	Replacement Aluminum Filter, (WS2)
BPS3FA30	Replacement Aluminum Filter, 30" (WS3)	BPS1FA30	Replacement Aluminum Filter, (WS1)
ARP310**	Réducteur de débit (limite le débit de la hotte à moins de 300 PCM)		

* 7" round damper and adapter sold separately.
** WS2 Series only.



87447B01/11

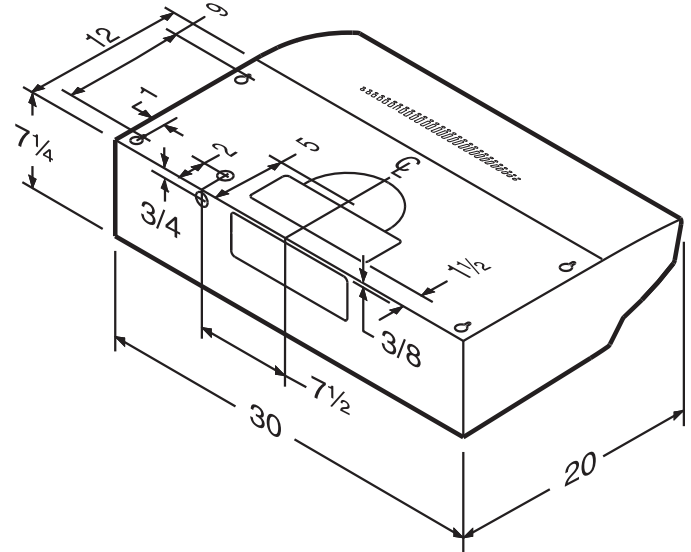
SPECIFICATIONS

MODEL	WS1	WS2	WS3
VOLTS	120 VAC	120 VAC	120 VAC
Hz	60	60	60
AMPS	1.8	2.0	2.9
CFM (VERT.)	210	280	280
CFM (HORIZ.)	220	300	300*
CFM (ROUND)	230	280	270
SONES (VERT.)	5.5	5.5	5.5
SONES (HORIZ.)	5.0	4.5	4.5*
SONES (ROUND)	5.0	5.0	5.5
DUCTING SIZE	7" ROUND** OR 3 1/4" X 10"	7" ROUND** OR 3 1/4" X 10"	7" ROUND** OR 3 1/4" X 10"
2 SHIELDED HALOGEN BULBS	50 W TYPE PAR20	50 W TYPE PAR20	50 W TYPE PAR20
WARRANTY	1 YEAR	1 YEAR	1 YEAR

*430 CFM AND 8.0 SONES IN BOOST MODE (WS3 ONLY).

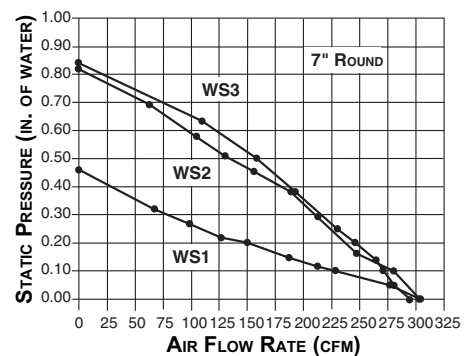
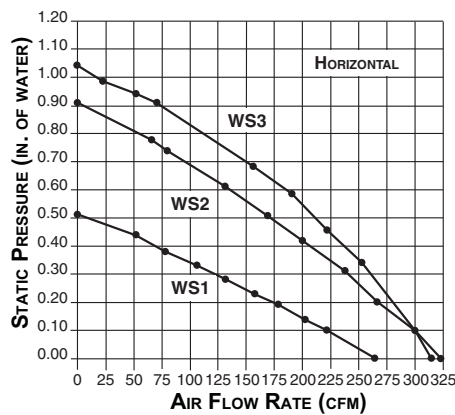
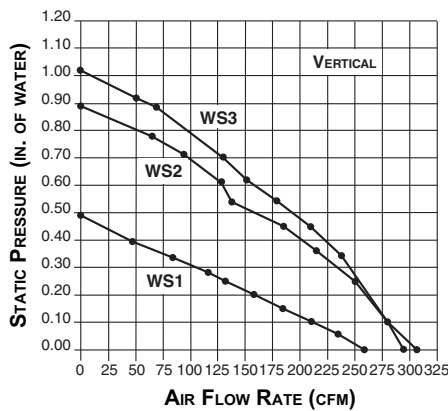
**7" ROUND ADAPTER/DAMPER SOLD SEPARATELY.

DIMENSIONS



NOTE: DIMENSIONS SHOWN ARE IN INCHES.

AIR FLOW PERFORMANCE



HVI-2100 CERTIFIED RATINGS comply with new testing technologies and procedures prescribed by the Home Ventilating Institute, for off-the-shelf products, as they are available to consumers. Product performance is rated at 0.1 in. static pressure, based on tests conducted in AMCA's state-of-the-art test laboratory. Sones are a measure of humanly-perceived loudness, based on laboratory measurements.



BROAN-NUTONE CANADA INC., MISSISSAUGA, ONTARIO WWW.NUTONE.CA 1-888-882-7626

PROJECT	REMARKS
LOCATION	
MODEL No.	
QTY.	
SUBMITTED BY	
DATE	