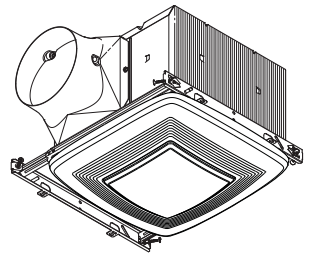


# MODEL XB90LC VENTILATION FAN WITH LIGHT



### FEATURES

#### UltraGreen™ Energy Saving DC Motor

- DC motor for efficiency well beyond ENERGY STAR® requirements.
- LEED and Energy Star for Homes compliant.

#### UltraSilent™ Sound Technology

- HVI certified, best-achievable <0.3 Sone level provides nearly silent operation for a relaxing environment.
- State-of-the-art blower and duct outlet design smooths airflow.
- High tech DC motor designed for nearly silent operation.

#### UltraSmart™ Control Technology

- Powerful operation maintained over a wide range of real-world installations (CFM ratings maintained through at least 0.25" static pressure).

#### UltraLucent™ Lighting Technology

- Two, ENERGY STAR® qualified 18-watt (max) GU24, 3500K bulbs brightly illuminate room for most any task. (bulbs included).
- One, 4-watt (max) C7 type night-light provides night-time convenience (bulb not included).
- Well-diffused, wide light dispersal floods room for maximum effectiveness and keeps bulbs from showing through lens.
- Enclosed reflector for minimal light visibility through the grille.

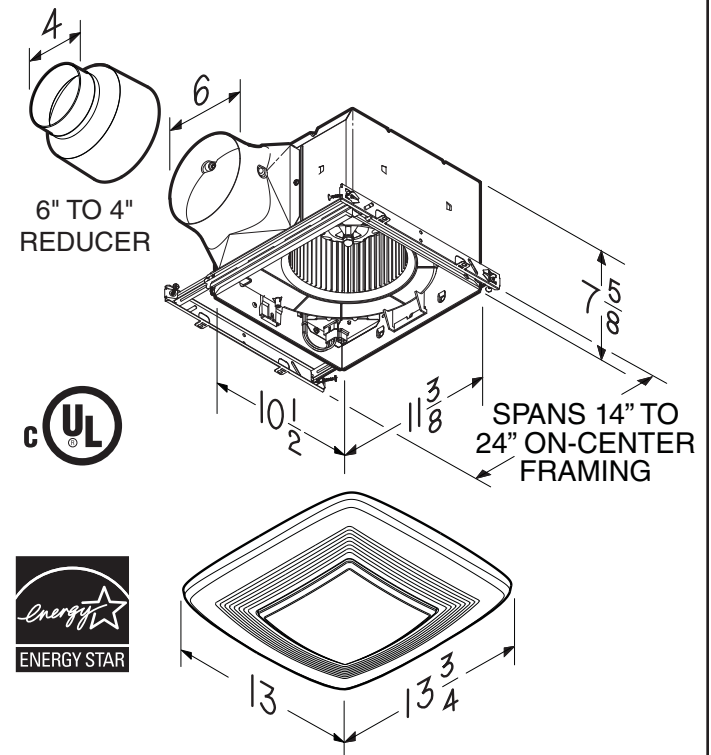
#### UltraQuick™ Installation Technology

- Unique telescoping mounting frame fits through retrofit drywall opening to allow easy installation from the room side. No attic access needed!
- Captive screws allow for easy new construction installation.
- Mounting frame positioning tabs provide easy vertical positioning for new construction.
- Easy to insert and remove snap-in housing. No screws required!
- Easy to insert and remove snap-in blower.

### FEATURES (CONT'D)

- Inside or outside duct connector and knockout plate mounting provides flexibility for new construction or retrofit.
- cUL Listed for use over bathtubs and showers when connected to a GFCI protected branch circuit (ceiling mount only).
- cUL Listed for use in insulated ceilings (Type IC).
- 3-year warranty on product, 1-year warranty on bulbs.

### DIMENSIONS



NOTE: Dimensions shown are in inches.

Broan-NuTone Canada; Mississauga, Ontario www.broan.ca 877-896-1119

| REFERENCE | QTY. | REMARKS | Project      |
|-----------|------|---------|--------------|
|           |      |         | Location     |
|           |      |         | Architect    |
|           |      |         | Engineer     |
|           |      |         | Contractor   |
|           |      |         | Submitted by |
|           |      |         | Date         |

# BROAN® PERFORMANCE SPECIFICATIONS

## MODEL XB90LC VENTILATION FAN WITH LIGHT

### ELECTRICAL & WEIGHT

| Volts | Hz | Amps | Shipping Weight (lb.) |
|-------|----|------|-----------------------|
| 120   | 60 | 0.9  | 13.9                  |

\*Total connected load



### HVI PERFORMANCE

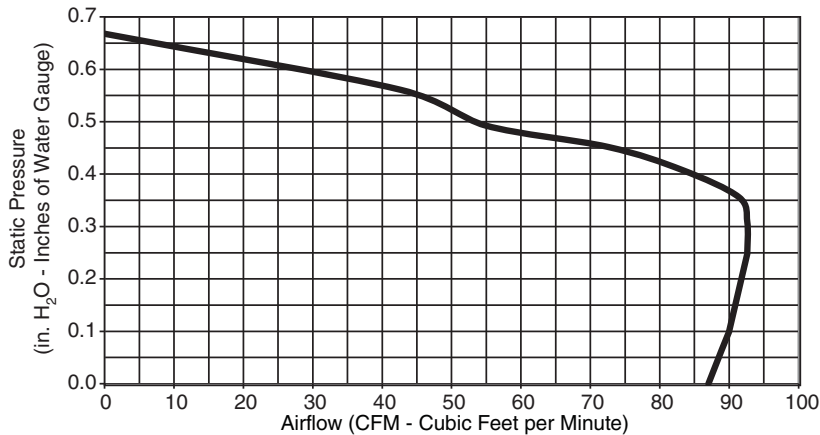
| 6" Duct   |               |               |                     | 4" Duct       |   |               |               |                     |               |
|---|---------------|---------------|---------------------|---------------|---|---------------|---------------|---------------------|---------------|
| 0.1 Ps - Static Pressure (in. H <sub>2</sub> O) |               |               |                     | 0.25 Ps       | 0.1 Ps - Static Pressure (in. H <sub>2</sub> O) |               |               |                     | 0.25 Ps       |
| Airflow (CFM)                                   | Sound (Sones) | Power (Watts) | Efficacy (CFM/Watt) | Airflow (CFM) | Airflow (CFM)                                   | Sound (Sones) | Power (Watts) | Efficacy (CFM/Watt) | Airflow (CFM) |
| 90  | < 0.3         | 7.2           | 12.5                | 93            | 90  | 0.5           | 9.5           | 9.4                 | 90            |



HVI-2100 CERTIFIED RATINGS comply with new testing technologies and procedures prescribed by the Home Ventilating Institute, for off-the-shelf products, as they are available to consumers. Product performance is rated at 0.1 in. static pressure, based on tests conducted in a state-of-the-art test laboratory. Sones are a measure of humanly-perceived loudness, based on laboratory measurements.

### FAN CAPABILITY

**XB90LC - 6" DUCT**



**XB90LC - 4" DUCT**

