



# Introducing the Broan InVent™ SERIES

FLEXIBILITY for new construction and room-side retrofit from one fan.

## More features from one fan.



**FoldAway™ Mounting Ears** are precisely positioned for new construction and fold flat for room-side retrofits. Every installation can be handled more efficiently.



**With our TrueSeal™ Damper Technology,** InVent fans reduce air leakage by up to 50% compared to competitive models<sup>1</sup>, resulting in better home performance via blower door tests.



**EzDuct™ Connector** enables room-side installation without attic access. Attach the housing, pull the duct through, attach the EzDuct™ Connector and reset it with one screw.



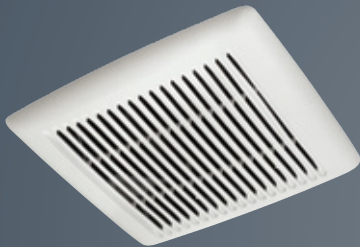
**LED Lighting** offers greater energy efficiency and longevity, and adds a unique design detail to this hard-working fan. 11-watt, 800 Lumens integrated LED module lasts up to 25,000 hours.

<sup>1</sup> Testing reflects total fan housing air tightness. See Broan.ca for details.

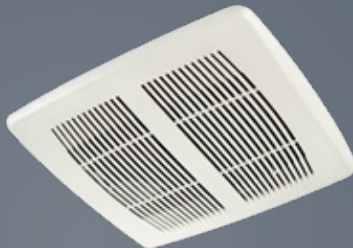
**Versatile Installation.  
Airtight Performance.  
LED Lighting.**

InVent Series gives professionals smart options for new construction or room-side retrofits in one, hard-working product line. InVent is about innovations such as FoldAway™ mounting ears and TrueSeal™ Damper Technology that improves building airtightness like never before. With fresh grille designs and a full range of operating points, there's an InVent Series solution for every installation.

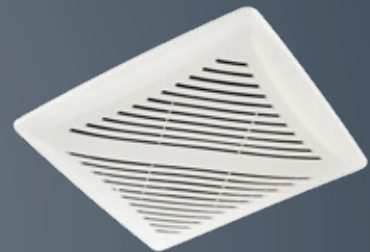
## InVent™ Fan & Fan/Lights



Fan Models: AER50C, AER80BC



Fan Models: AR80C, AR90C, AR110C



Fan Models: AER70C, AER80C, AER90C, AER110C



LED Fan/Light with 11-watt, 800 Lumens, 3000K, 80 CRI integrated module.  
Models: AER90LC, AER110LC



Incandescent Fan/Light with A19 Base (bulb not included).  
Model: AR70LC

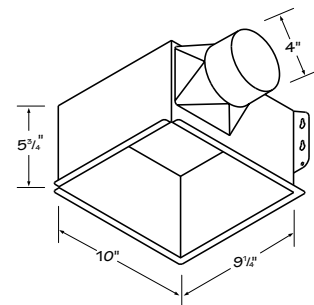
### INVENT FAN MODELS

New Specifications				Replacing Specifications		
New Model	CFM	Sones	ENERGY STAR®	Replacing Model	CFM	Sones
AER50C	50	0.5	Yes	770	50	1.5
AER80BC	80	1.5	Yes	784	80	2.0
AER70C	70	0.8	Yes	QTRE070C	70	0.8
AER80C	80	0.8	Yes	QTRE075C/QTRE080C	80	0.8
AER90C	90	1.0	Yes	QTRE090C	90	1.0
AER110C	110	1.0	Yes	QTRE110C	110	1.3
AR80C	80	2.0	No	683C	80	2.5
AR90C	90	2.0	No	DX90	90	2.5
AR110C	110	3.0	No	DX110	110	4.0

### INVENT FAN/LIGHT MODELS

New Specifications					Replacing Specifications			
New Model	CFM	Sones	Lighting	ENERGY STAR®	Replacing Model	CFM	Sones	Lighting
AER90LC	90	1.0	LED	Yes	QTRE090FLC	90	1.0	Fluorescent
AER110LC	110	1.0	LED	Yes	QTRE110FLC	110	1.3	Fluorescent
AR70LC	70	2.0	Incandescent A19 Base *	No	DX70L	70	3.5	Incandescent

\* Bulb Not Included



**Broan.ca** 1140 Tristar Drive Mississauga,  
Ontario L5T 1H9  
Customer Service 1-877-896-1119

Proud to be ENERGY STAR® partners.  
87719 09/15