

Data Sheet iBridge Kit

BGK1



BGD1 iBridge Dock with iPod (not included)



Kit includes

- 1 BGD1 iBridge Dock**
 - Set of 5 iPod adapters
 - 12 VDC 1 A power adapter
 - Instruction manual
- 1 RAVD1 RNET A/V Decoder**
 - Stereo RCA patch cable
 - RJ-45 patch cable
 - 12 VDC 1 A power adapter
 - Instruction manual

The BGK1 iBridge Kit enables the use of an iPod as a remote source for a Russound RNET® or other multiroom system. RNET is a two-way technology that allows Russound components to communicate with each other.

The kit provides a BGD1 iBridge Dock, an RAVD1 RNET A/V Decoder, and two power adapters. It allows either RNET or infrared (IR) control of the iPod, depending on the type of system.

With a Russound RNET system, the BGD1 treats the iPod as a fully functional RNET smart audio source. It gives the system's keypads, touchscreens, and remotes full control of the iPod's Play, Pause, Next Song, Previous Song, Playlist Up, and Playlist Down functions. An UNO-TS2 touchscreen also has the ability to select music on the iPod by playlist, genre, artist, album, and song.

The BGD1 also enables program information to display on the RNET system's keypads and touchscreens. They show playlist, genre, artist, album, and song title information from the iPod.

When used with a non-RNET system, the BGD1 and RAVD1 transmit IR commands from the system to the iPod. With IR control, no program information feeds back to the system.

The RAVD1 provides the necessary source connections at the system controller. It connects to the BGD1 via a single CAT-5 cable.

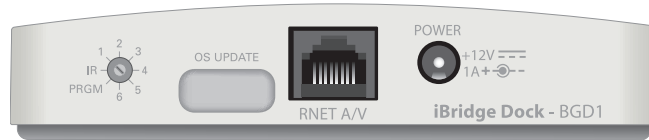
The kit includes a set of five adapters to support most iPod models. In addition, the BGD1 provides power to the iPod to keep it charged while docked.

iPod is a trademark of Apple Computer, Inc., registered in the US and other countries.

Specifications

BGD1 iBridge Dock

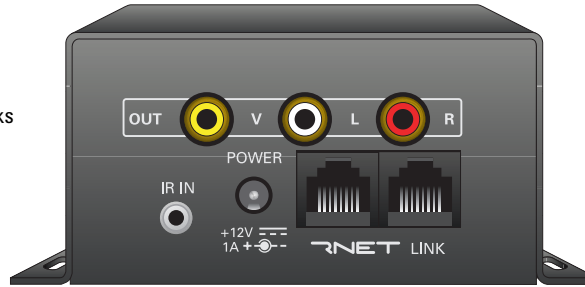
- Switch: 8-position source/function selector
- RNET A/V connector: 8-pole modular RJ-45 jack
- OS Update Port connector: 4-pole jack for Programming Cable, Russound part #2500-521065
- Power requirement: 12 VDC 1 A (adapter included)
- Dimensions: 4.72" W x 1.0" H x 2.5" D (12.0 x 2.5 x 6.4 cm)
- Weight: 5.4 oz (153 g)



BGD1 iBridge Dock rear

RAVD1 RNET A/V Decoder

- RNET A/V connector: 8-pole modular RJ-45 jack
- Output connectors: (1) composite video RCA jack* (2) left and right audio RCA jacks
- IR Input connector: 2-pole 1/8" (3.5 mm) TS jack
- RNET Link connectors: (2) 8-pole modular RJ-45 jacks
- Power requirement: 12 VDC 1 A (adapter included)
- Mounting method: Surface
- Dimensions: 4.25" W x 1.82" H x 2.5" D (10.8 x 4.6 x 6.4 cm)
- Weight: 10.0 oz (284 g)



RAVD1 RNET A/V Decoder rear

Compatible with

- iPod with video (30GB, 60GB only)
- iPod with color display* (20GB, 30GB only) U2 Special Edition
- iPod with color display* (40GB, 60GB only)
- iPod* (40GB, 60GB only)
- iPod nano (2GB, 4GB only)
- iPod mini* (4GB, 6GB only)

*Not used with RNET configuration

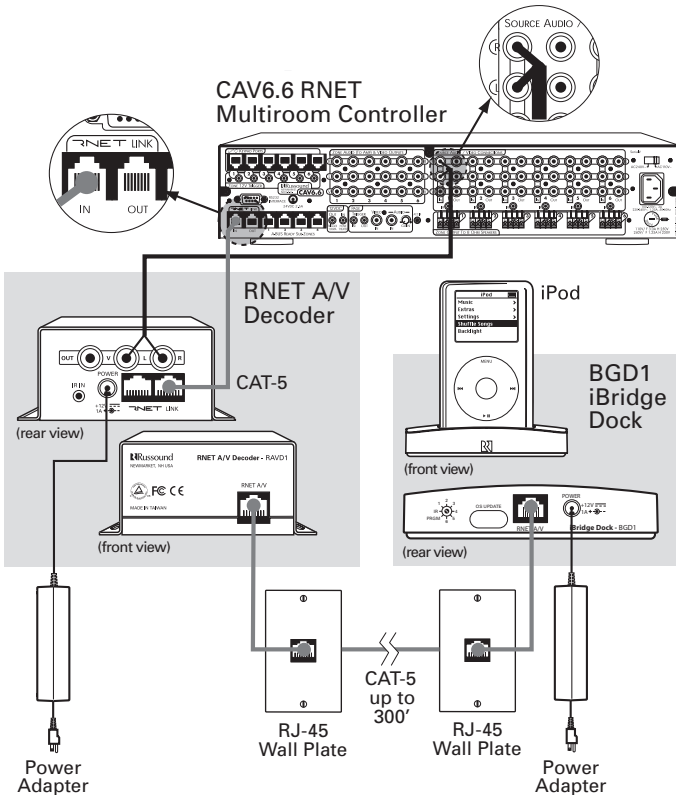


RNET
RNET is a two-way technology that allows Russound components to communicate with each other.

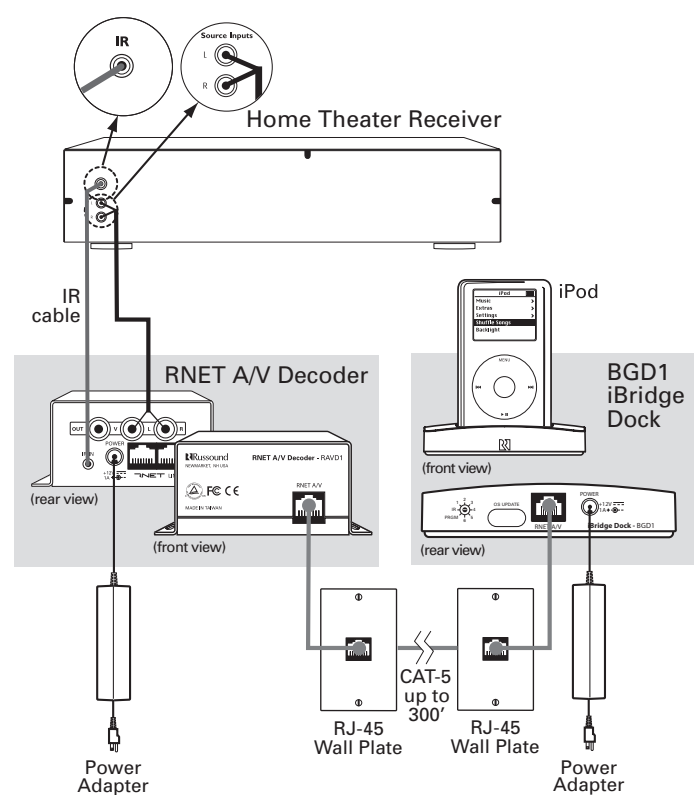
*iPod adapter included in kit

Typical Applications

RNET Configuration



IR Configuration



5 Forbes Road, Newmarket, New Hampshire 03857 USA

603.659.5170

www.russound.com

Since 1967, innovation, quality and reliability have been the core of the Russound product tradition. Today, Russound offers everything for enjoying multiroom audio-video in your home. All audio-video distributed solutions are built to high standards and designed with the unique consideration of making products that are a pleasure to live with and enjoy.

©2006 Russound. All rights reserved. All trademarks are the property of their respective owners. Specifications are subject to change without notice. Russound is not responsible for typographical errors or omissions.