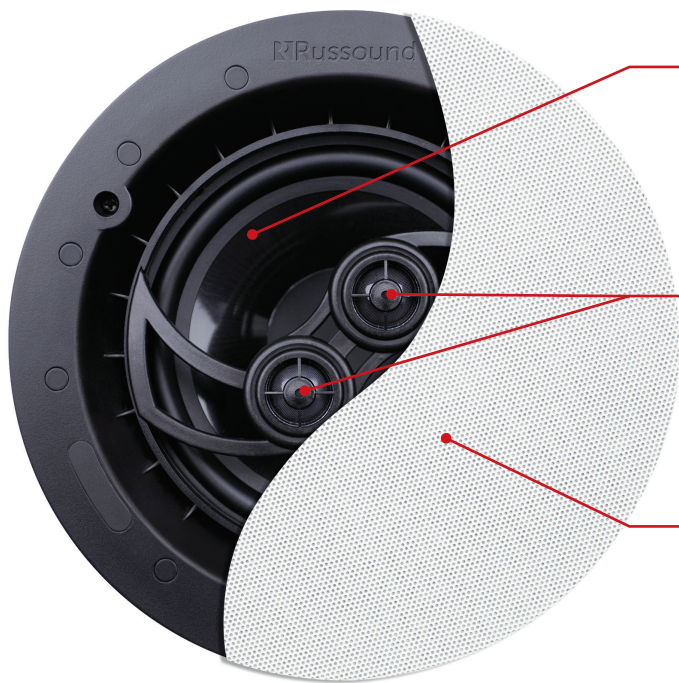


## 6.5" Single Point Stereo Acclaim™ Wide Dispersion Speaker

Provides “stereo sound” from a single speaker



### Woofer Technology

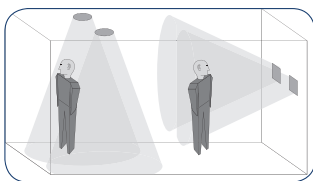
- 6.5" Polypropylene cone is well damped to accommodate all program material, spoken and musical
- NBR rubber cone surround damps resonance and provides exceptional durability in any humidity level and over a wide temperature range

### Tweeter Technology

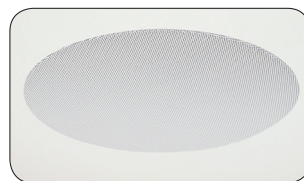
- Pivoting, low-diffraction assembly focuses the high-frequency sound in any direction independently of the woofer to create direct or diffuse sound fields
- Twin 0.75" silk domes with Ferrofluid-cooling and ultra-wide dispersion for clear and detailed high-frequencies

### Magnetic Edgeless Grille

- Designer-inspired edgeless magnetic grilles conceal loudspeaker elements yet allow high fidelity sound through. Grille can be painted to match décor



Wide dispersion design provides uniform coverage over a large area



Edgeless grille blends discretely into the décor



Triple-dog mounting system for quick and efficient installations  
25% faster than 4-dog models



Trusted reliability that you can count on

# Installation Instructions

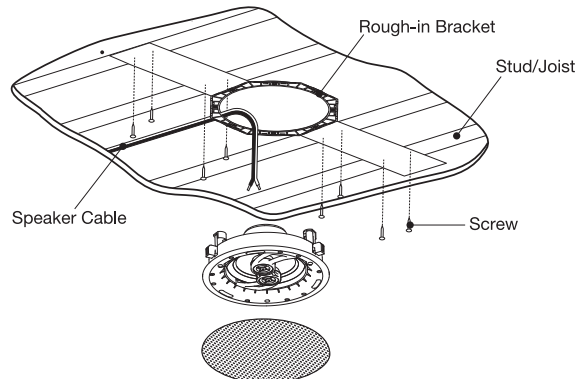
## Pre-wire or Pre-construction

Locate all obstructions (AC wiring, plumbing, duct work, studs, and joists). Route the speaker wire to the speaker location avoiding all obstacles.

Russound offers Speaker Rough-In Brackets that can be fastened to the adjacent studs. Once the dry wall is installed, the opening is cut-out. There are holes molded into the bracket for speaker wire tie-off to keep the wire from being lost during construction.

Make sure the speaker cut-out (hole) doesn't extend further than 1/4" (0.6 cm) from the inside of the mounting bracket.

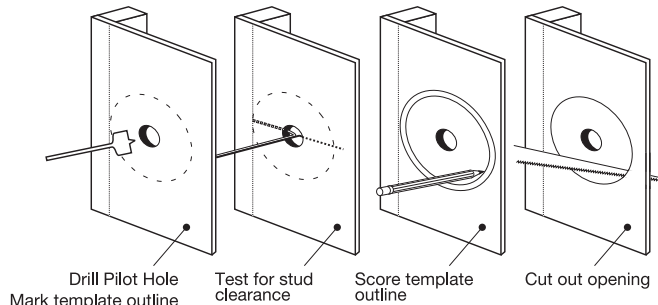
## In-ceiling bracket Installation



## Retrofit Installation

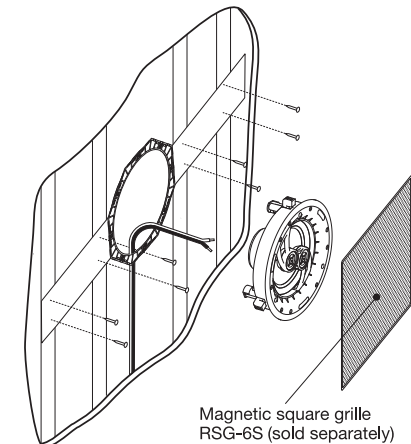
Locate existing pipes, duct work, and AC wiring before cutting any holes in the ceiling.

1. Center the cardboard template between adjacent joists, avoiding all wiring, pipes, duct work, and lightly mark the outline with a pencil. Then use a keyhole/drywall saw or motorized spiral-cut tool to make the opening.
2. Score the outline of the template with a utility knife to prevent chipping. If dealing with lath and plaster or thick paneling, drill 1" (2.5 cm) holes in several places around the pencil outline. Use a fine-toothed keyhole saw or hacksaw blade with slow strokes to saw through and remove the inner surface.

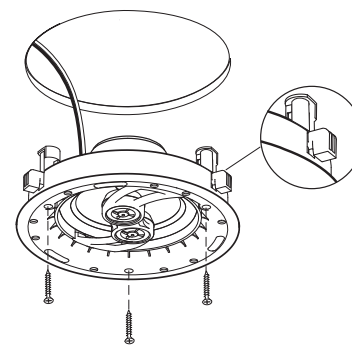
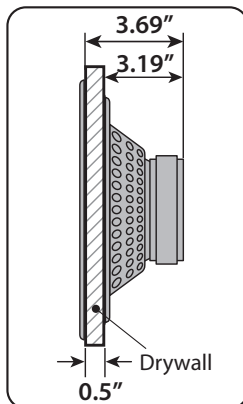


**Note:**  
Drill shallow to avoid damage to wiring, pipes and ductwork.

## In-wall bracket Installation



## In-wall placement



Center the speaker in the cutout. Rotate the frame as needed before tightening the screws. Tighten the screws equally until the clamps secure the frame.  
**Do not overtighten.**

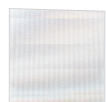
## Technical Specifications

Model	Description	Woofer	Tweeter	Recommended Power	Frequency Response	Sensitivity	Nominal Impedance	Magnet Structure	Overall Dimensions	Cut-out Dimensions	Mounting Depth
RSF-610T	Single Point Stereo Speaker, In-ceiling/in-wall	6.5" (20.32 cm) IMPP Cone	2 x 0.75" (1.91 cm) Pivoting Silk	5 - 120 watts	40Hz - 20kHz	90dB @ 1w/1m	8 ohms	Ferrite 20 oz (0.567 kg)	9.13" dia. (23.19 cm)	8.375" dia. (21.27 cm)	3.69" (9.37 cm)

## Product Specifications

Model Number	Part Number	Shipping Dimensions	Shipping Weight
RSF-610T/each	3175-535116	10.5"L x 10.5"W x 6.1"H, (26.7 x 26.7 x 15.5 cm)	5lbs (2.3 kg)

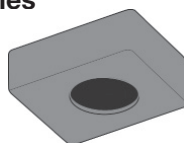
## Optional Accessories



Square Grille  
RSG-6S



Rough-In Bracket  
SB-C67 - In-ceiling/In-wall



Sound Blocking Flexbox Back Box  
FBC1-FR In-Ceiling



**1 Hour  
Fire Rating**

Russound | 1 Forbes Road Newmarket, NH 03857 | 603.659.5170 | [www.russound.com](http://www.russound.com)

©2014 Russound/FMP, Inc. All rights reserved. Russound and the Russound logo are registered trademarks of Russound/FMP, Inc. Acclaim is a trademark of Russound/FMP, Inc. All other trademarks are the property of their respective owners. Russound reserves the right to change specifications without notice.