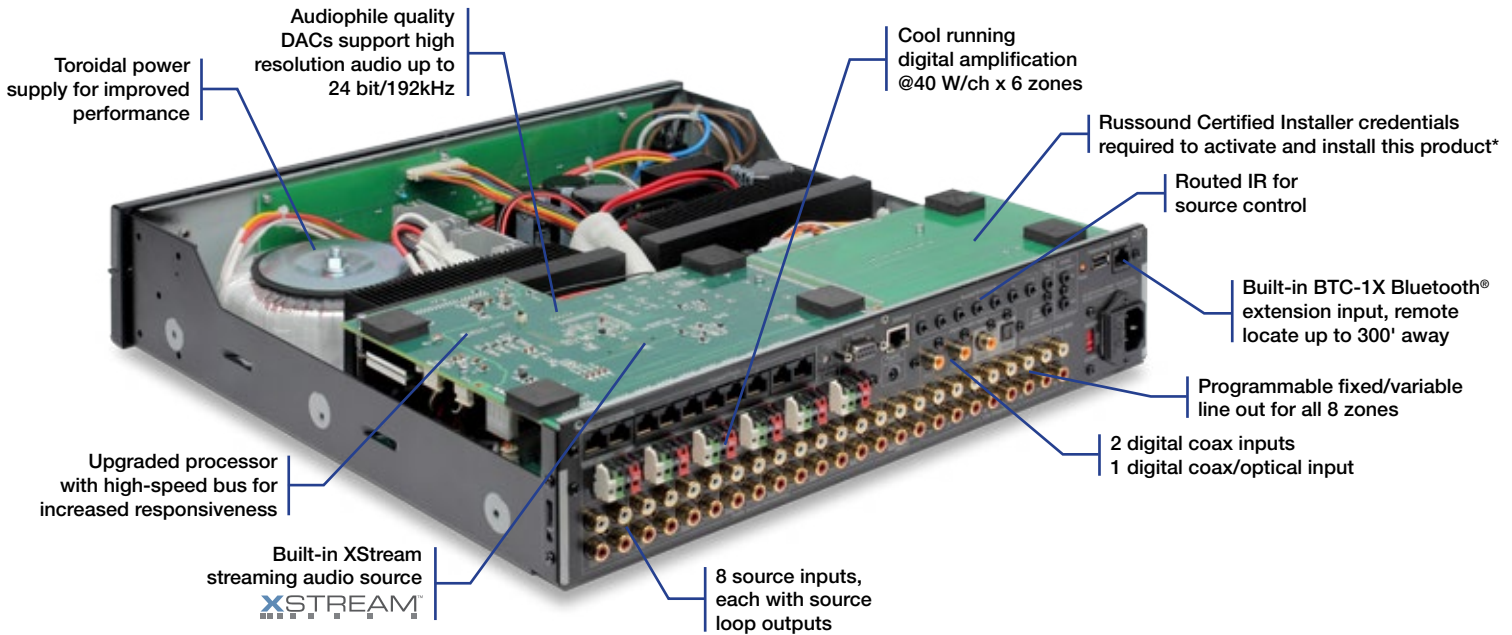


MCA Advanced Streaming Multi-zone Controllers

MCA-88X Eight-Source, Eight-Zone Controller Amplifier Streamer



XSTREAM™

Hi-Res AUDIO
24 bit/192kHz



MCA-88X 8 Source, 8 Zone Controller Amplifier Streamer



The MCA-88X is an 8 source/8 zone controller amplifier. 8 zones of audio with adjustable bass/treble/loudness/balance with digital amplification providing 40W/channel to zones one through six, 8 source inputs with loop outputs and fixed or variable line outputs per zone, routed IR, built-in IR learning, a pre-programmed IR library, paging and system muting. Incorporates a built-in XStream audio streamer to offer the best audio from the internet or a user's personal networked audio collection. *Bluetooth* ready.



RUSSOUND CERTIFIED INSTALLER REQUIRED



Dimensions:
 17" W x 3.5" H x 17.2" D
 (432 x 90 x 436 mm)
 Shipping Weight:
 34.0 lbs (15.4 kg)
 1550-536366 MCA-88X
 1550-536427 MCA-88Xi



KT2-88X Multi-zone Controller Amplifier System Kit with MDK-C6

Includes:

- 6 System Keypads (MDK-C6), White
- Remote Control (USRC)
- Rack ears
- IR emitters
- Wall plates included



RUSSOUND CERTIFIED INSTALLER REQUIRED

Shipping Weight:
 38.4 lbs (17.4 kg)
 1550-536458 KT2-88X
 1550-536465 KT2-88Xi



MCA Advanced Multi-zone Controllers

MCA-Series Controller Amplifiers



MCA-88 8 Source, 8 Zone Controller Amplifier

The MCA-88 is an 8 source/8 zone controller amplifier. 8 zones of audio with adjustable bass/treble/loudness/balance with digital amplification providing 40W/ channel to zones one through six, 8 source inputs with loop outputs and fixed or variable line outputs per zone, routed IR, built-in IR learning and a pre-programmed IR library, paging and system muting. *Bluetooth* ready.



Dimensions:
17" W x 3.75" H x 16.2" D
(432 x 95 x 411 mm)

Shipping Weight:
34 lbs (15.4 kg)

1550-536359 MCA-88
1550-536410 MCA-88i



KT2-88 Multi-zone Controller Amplifier System Kit with MDK-C6

Includes:

- 6 System Keypads (MDK-C6), White
- Remote Control (USRC)
- Rack ears
- IR emitters
- Wall plates included



Shipping Weight:
38.4 lbs (17.4 kg)

1550-536588 KT2-88



MCA-66 6 Source, 6 Zone Controller Amplifier

The MCA-66 is a 6 source/6 zone controller amplifier. 6 zones of audio with adjustable bass/treble/loudness/balance with analog amplifiers providing 20W/ channel to all 6 zones, 6 source inputs and fixed or variable line outputs for zones 1 and 2, routed IR, built-in IR learning and a preprogrammed IR library, paging (optional source 6) and doorbell muting. *Bluetooth* ready.



Dimensions:
17" W x 3.75" H x 13.5" D
(432 x 95 x 343 mm)

Shipping Weight:
25.8 lbs (11.7 kg)

1550-536342 MCA-66
1550-536403 MCA-66i



KT2-66 Multi-zone Controller Amplifier System Kit with MDK-C6

Includes:

- 6 System Keypads (MDK-C6), White
- Remote Control (USRC)
- Rack ears
- IR emitters
- Wall plates included



Shipping Weight:
30 lbs (13.6 kg)

1550-536434 KT2-66
1550-536441 KT2-66i



A virtual security team for your business



The Russound Certified Installer (RCI) Program is designed to provide the best possible product and installation experience to our consumers while maximizing the value that the thousands of Russound installers in the US and around the world offer to their customers throughout the sale and installation process. **The RCI program is available to all installers who buy their Russound products through any authorized sales channels**, whether it's through distribution partners or as a direct dealer.

The Russound Certified Installer program has been created so that key Russound products can **only be installed by someone who has been pre-approved by Russound** to do so. With the RCI Program, Russound guarantees that a dedicated Russound Certified Installer is fully involved in the installation process of Russound products. This program will also allow us to better control the supply chain of authorized Russound products properly in the field and minimize the risk of consumers unknowingly purchasing B-stock, obsolete, or gray market goods from unauthorized channels. Visit www.russound.com/rci to find out more information.

Russound®
Building Sound Solutions™

48 YEARS

Russound Certified Installer Program



- **Distribution Partner customers and Direct Dealers eligible** – The RCI program is available to all installers who buy their Russound products through any authorized sales channels, whether it's through distribution partners or as a direct dealer.
- **Trackable, while assuring customer privacy** – Russound knows how important privacy is to its customers. Because of that, no customer information is ever required, entered, or tracked as part of this program. Russound will track the products used in this program only through a unique electronic product identification number that will be paired with the credential of the specific Russound Certified Installer who performed the installation. Russound will not be able to obtain any private customer information through this program.

Frequently Asked Questions

Q: How can I become a Russound Certified Installer (RCI)?

A: It's easy. Use your Russound Portal logon to complete this web form to apply to the RCI program. If you currently share a Russound Portal logon and need your own, you can get one here.

Q: How can I verify if I am a Russound Certified Installer?

A: It's easy to tell if you are a Russound Certified Installer. When accessing the Russound Portal, all Russound Certified Installers will see the words "Certified Installer" in the top right corner of all webpages in the Portal.

Q: What products will be part of this program?

A: The RCI program will be integrated into the new line of Russound multi-zone controllers, the MCA-66, MCA-88, and the MCA-88X. Additional Russound products will join the program as they come to market.

Q: Why is Russound "locking" some of its products?

A: This new feature reinforces Russound's commitment to provide the ultimate user experience by guaranteeing that many of our key products are only installed by industry professionals.

Q: Does Russound collect or track end user information with this program?

A: Russound does not collect any end user personal information.

Q: How do I stay informed on updates to the RCI program and Russound products?

A: Join our email list by visiting russound.com and clicking on the mail icon at the bottom of the page.

Program Highlights

- **Supported Products** – The RCI program will be integrated into the new line of Russound multi-zone controllers, the MCA-66, MCA-88, and the MCA-88X. Additional Russound products will join the program as they come to market.
- **Products ship "locked"** – All products that are part of the RCI program will be shipped from Russound in a locked state. Once they are powered up, they will only be able to display a message saying "Russound Certified Installer Required". The products will not operate until a Russound Certified Installer connects them to the internet and unlocks them.
- **Easy to unlock** – There is no complex unlocking process. A Russound Certified Installer merely needs to enter their username and password into an RCI product using the web browser on their smartphone, tablet or laptop. All RCI products are internet-enabled and instantly verify the identity of the installer to unlock for use.

Q: Do I need to be a direct dealer to be a Russound Certified Installer?

A: The RCI program is available to all installers who purchase their Russound products through an authorized sales channel, whether it's through one of our distribution partners or as a direct dealer.

Q: All of the installers in my company share a portal logon. Can I use that for the RCI program?

A: Since the RCI program certifies installers, not companies, each installer must have their own unique portal logon.

Q: Will my company be listed on the Russound website once I become a certified installer?

A: Yes. As a part of the approval process to become a Russound Certified Installer, your company will be listed in the Russound website dealer finder.*

Q: Is there a cost associated with becoming a Russound Certified Installer?

A: There is no charge to installers for becoming Russound Certified Installers.

Q: Is there an exam that I will need to complete?

A: No certification exam is required.

Advanced Wireless Multi-zone Controllers

X5 Wireless Streaming Music System



X5 Controller Streamer Amplifier

The XStream™ X5 is a room-by-room Wi-Fi-enabled audio controller, streamer and amplifier. App or keypad controlled, the X5 integrates built-in popular streaming services, such as Spotify™, Pandora™, TuneIn™, vTuner™ and SiriusXM™. Bluetooth ready and with built-in AirPlay support, the X5 can play any audio source from your phone or tablet. The X5 integrates and controls local audio video sources. Hear more of what you love with the high-quality (up to 24-bit, 192kHz high-resolution audio), all-digital X5 platform. The X5 is the most unique and complete distributed audio system available.

Dimensions:
10.625" W x 2.375" H x 9.5" D
(29 x 24 x 60 mm)
Shipping Weight:
7.6 lbs (3.45 kg)
4000-534942 X5
4000-534980 X5 EU/UK



Digital Media Streaming Source Components

DMS-3.1



DMS-3.1 Digital Media Streamer

The DMS-3.1 adds three independent streaming outputs (AirPlay enabled) and one AM/FM tuner with RDS feedback to MCA-Series Controllers. Streams content from internet radio stations and music service providers. Provides access and playback of digital audio files on LAN connected UPnP/DLNA devices, including high resolution up to 24-bit, 192kHz sources. Supports content playback from connected USB storage devices. Includes: DMS-3.1 Digital Media Streamer, AM Antenna, FM Antenna, stereo RCA patch cables, rack-mount ears, power supply. Rack-mountable 1U high.

Dimensions:
17" W x 8.5" D x 1.75" H
(430 x 216 x 44.5 mm)
Shipping Weight:
10.2 lbs (4.63 kg)
2450-533419 DMS-3.1
2450-533426 DMS-3.1e



Sources for Advanced Controllers



BTC-1X Bluetooth® Remote Transceiver

Simply plug the The BTC-1X into the *Bluetooth* input of any Russound *Bluetooth* ready controller (such as MCA-88X, MCA-88, MCA-66 or X5) to add *Bluetooth* streaming audio. Remote transceiver allows for optimum placement via CAT-5 wire up to 300' (91.4m). High quality audio codec featuring aptX® for superior *Bluetooth* audio quality. Micro-USB programming cable is included.



Dimensions:
2.2"W x 2.8"D x 1.0"H
(5.6 x 7.0 x 2.6 cm)

Shipping Weight:
0.3lbs (0.14kg)

2460-533709 BTC-1X



BSK-1 Bluetooth Source Kit

The BSK-1 *Bluetooth* Source Kit permits *Bluetooth* enabled devices to stream content to **any audio system** for wireless audio. It offers a remotely located *Bluetooth* receiver, optimized for ideal placement and range by the custom installer. The receiver is connected with CAT-5 wire and may be extended up to 300' (91.4m)

Applications for BSK-1 Kit:

- *Bluetooth* audio solution for any audio system
- Integrating *Bluetooth* into a Russound C-Series system
- When adding additional *Bluetooth* inputs to a Russound MCA-Series system



BTC-1 Dimensions:
4.8"W x 2"D x 1.5"H
(122 x 51 x 38mm)

BTC-1X Dimensions:
2.2"W x 2.8"D x 1.0"H
(5.6 x 7.0 x 2.6 cm)

Shipping Weight:
0.4lbs (0.2kg)

2460-533778 BSK1
2460-533792 BSK1e



ST1 Smart Tuner

The ST1 is a single AM/FM tuner with RDS. Works with MCA-Series controllers. 6 banks of 6 presets. Half rack width for side by side installation. Built-in 110-240V AC power supply. Rack-mount ears included.



Dimensions:
8.5"W x 10.5"D x 1.75"H
(21.6 x 26.7 x 4.5 cm)

Shipping Weight:
ST1 7.9lbs (3.6kg)
ST1e 8.9lbs (4.0kg)

2410-533662 ST1
2410-533730 ST1e