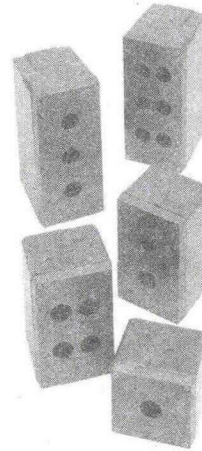


C-2000™ Push Buttons

600 Volts Max. AC/300 Volts Max. DC
10 Amps. Continuous AC/2.5 Amps. Continuous DC



Die-Cast Aluminum Enclosures NEMA Type 1, 3, 3R, 3S, 4, 4X, 12 & 13

Holes	Useful Depth (inches/mm)	Catalog No.	List Price, GO-10GC
1	2.83/72	080SP1	\$ 30.00
	3.82/97	080SP1M	35.00
2	2.83/72	080SP2	35.00
	3.82/97	080SP2M	42.00
3	3.82/97	080SP3	42.00
4	2.83/72	080SP4	43.00
	3.82/97	080SP4M	51.00
6	3.82/97	080SP6	53.00
8	3.82/97	080SP8	63.00
12	3.82/97	080SP12	83.00
18	3.82/97	080SP18	113.00
24	3.82/97	080SP24	143.00
35	4.37/111	080SP35	198.00

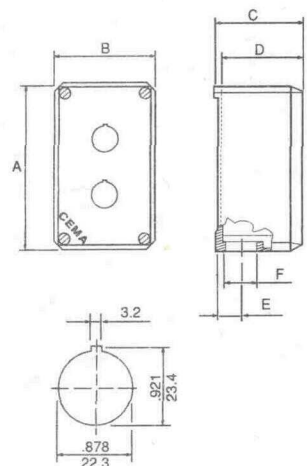
Hole Location and Centerline Distances (inches/mm)					Dimensions (inches/mm)					
Model	Vertical	Distance	Horizontal	Distance	A	B	C	D	E	F
1	—	—	—	—	3.43/87	3.43/87	2.95/75	2.83/72	.846/21.5	PG21
1M	—	—	—	—	3.43/87	3.43/87	3.94/100	3.82/97	.846/21.5	PG21
2	2	1.97/50	—	—	5.71/145	3.43/87	2.95/75	2.83/72	.846/21.5	PG21
2M	2	1.97/50	—	—	5.71/145	3.43/87	3.94/100	3.82/97	.846/21.5	PG21
3	3	1.97/50	—	—	7.67/195	3.43/87	3.94/100	3.82/97	.846/21.5	PG21
4	2	1.97/50	2	1.18/30	5.71/145	3.43/87	2.95/75	2.83/72	.846/21.5	PG21
4M	2	1.97/50	2	1.18/30	5.71/145	3.43/87	3.94/100	3.82/97	.846/21.5	PG21
6	3	1.97/50	2	1.18/30	7.67/195	3.43/87	3.94/100	3.82/97	.846/21.5	PG21
8	2	1.97/50	4	1.18/30	5.98/152	5.98/152	3.94/100	3.82/97	1.06/27	PG29
12	3	1.97/50	4	1.18/30	8.07/205	9.05/230	3.94/100	3.82/97	1.06/27	PG29
18	3	1.97/50	6	1.18/30	10.12/257	11.81/300	3.94/100	3.82/97	1.37/35	PG36
24	4	1.97/50	6	1.18/30	10.12/257	11.81/300	3.94/100	3.82/97	1.37/35	PG36
35	5	1.97/50	7	1.18/30	13.78/350	13.78/350	4.80/122	4.37/111	1.61/41	PG36

Metric to NPT Adaptors

Type	Catalog No.	List Price, GO-10GC
PG21 to 1/2-inch	080PG21A	\$25.00
PG21 to 3/4-inch	080PG21B	25.00
PG29 to 1-inch	080PG29C	25.00
PG36 to 1-1/4-inch	080PG36D	25.00

Dimensions shown in $\frac{\text{inches}}{\text{millimeters}}$

Hole Disposition and Centerline Distances (inches/mm)					Dimensions (inches/mm)					
Model	Vertical	Distance	Horizontal	Distance	A	B	C	D	E	F
1	—	—	—	—	3.43/87	3.43/87	2.95/75	2.83/72	.846/21.5	PG21
1M	—	—	—	—	3.43/87	3.43/87	3.94/100	3.82/97	.846/21.5	PG21
2	2	1.97/50	—	—	5.71/145	3.43/87	2.95/75	2.83/72	.846/21.5	PG21
2M	2	1.97/50	—	—	5.71/145	3.43/87	3.94/100	3.82/97	.846/21.5	PG21
3	3	1.97/50	—	—	7.67/195	3.43/87	3.94/100	3.82/97	.846/21.5	PG21
4	2	1.97/50	2	1.18/30	5.71/145	3.43/87	2.95/75	2.83/72	.846/21.5	PG21
4M	2	1.97/50	2	1.18/30	5.71/145	3.43/87	3.94/100	3.82/97	.846/21.5	PG21
6	3	1.97/50	2	1.18/30	7.67/195	3.43/87	3.94/100	3.82/97	.846/21.5	PG21
8	2	1.97/50	4	1.18/30	5.98/152	5.98/152	3.94/100	3.82/97	1.06/27	PG29
12	3	1.97/50	4	1.18/30	8.07/205	9.05/230	3.94/100	3.82/97	1.06/27	PG29
18	3	1.97/50	6	1.18/30	10.12/257	11.81/300	3.94/100	3.82/97	1.37/35	PG36
24	4	1.97/50	6	1.18/30	10.12/257	11.81/300	3.94/100	3.82/97	1.37/35	PG36
35	5	1.97/50	7	1.18/30	13.78/350	13.78/350	4.80/122	4.37/111	1.61/41	PG36



PUSH BUTTONS

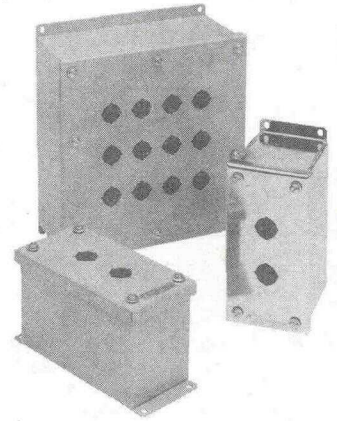


GE Push Buttons

C-2000™ Push Buttons

600 Volts Max. AC/300 Volts Max. DC
10 Amps. Continuous AC/2.5 Amps. Continuous DC

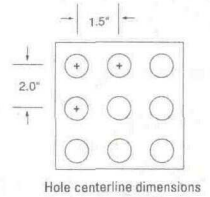
Sheet Steel & Stainless Steel Enclosures



Holes	Sheet Steel		Stainless Steel		Dimensions (inches/mm)						
	Catalog No.	List Price, GO-10GC	Catalog No.	List Price, GO-10GC	A	B	C	D	E	F	Hub (inches)
1	080HEG11	\$ 42.00	080HES11	\$102.00	5.50/139.7	3.50/88.9	4.25/108.0	5.00/127.0	2.38/60.4	.31/7.9	3/4
2	080HEG12	45.00	080HES12	120.00	7.75/196.8	3.50/88.9	4.25/108.0	7.25/184.2	2.38/60.4	.31/7.9	3/4
3	080HEG13	48.00	080HES13	132.00	10.00/254.0	3.50/88.9	4.25/108.0	9.50/241.3	2.38/60.4	.31/7.9	3/4
4	080HEG14	54.00	080HES14	156.00	13.38/339.8	3.50/88.9	4.25/108.0	12.88/327.2	2.38/60.4	.31/7.9	1
6	080HEG32	72.00	080HES32	198.00	8.25/209.6	6.50/165.1	4.25/108.0	7.75/196.8	5.88/149.4	.31/7.9	1
9	080HEG33	84.00	080HES33	312.00	10.50/266.7	9.25/235.0	4.25/108.0	10.00/254.0	5.88/149.4	.31/7.9	1 1/4
12	080HEG43	108.00	080HES43	336.00	10.50/266.7	9.25/235.0	4.25/108.0	10.00/254.0	8.19/208.0	.31/7.9	1 1/2
16	080HEG44	138.00	080HES44	432.00	12.75/323.8	11.50/292.1	4.25/108.0	12.25/311.2	8.19/208.0	.31/7.9	1 1/2
24	080HEG64	216.00	080HES64	660.00	12.75/323.8	11.50/292.1	4.25/108.0	12.25/311.2	10.38/263.6	.31/7.9	1 1/2
30	080HEG65	240.00	080HES65	780.00	15.00/381.00	11.50/292.1	4.25/108.0	14.50/368.3	10.38/263.6	.38/9.6	1 1/2

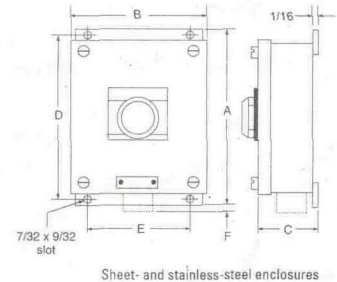
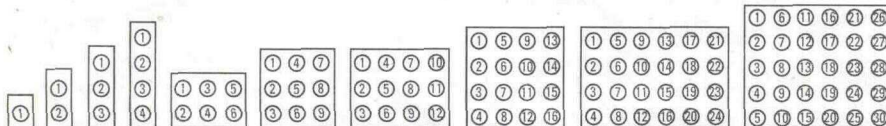
Special Assembled Unwired Stations

Holes	Sheet Steel		Stainless Steel	
	Catalog No.	List Price, GO-10GC	Catalog No.	List Price, GO-10GC
1	080HEG11B	\$ 60.00	080HES11B	\$120.00
2	080HEG12B	69.00	080HES12B	144.00
3	080HEG13B	78.00	080HES13B	162.00
4	080HEG14B	90.00	080HES14B	192.00
6	080HEG32B	120.00	080HES32B	246.00
9	080HEG33B	150.00	080HES33B	378.00
12	080HEG43B	192.00	080HES43B	420.00
16	080HEG44B	246.00	080HES44B	540.00
24	080HEG64B	378.00	080HES64B	822.00
30	080HEG65B	432.00	080HES65B	972.00



When ordering assembled, unwired stations, specify units and nameplates by hole position as shown below. Prices do not include operators, terminals, nameplates, etc.

Hole Arrangements



9 PUSH BUTTONS