



GE Push Buttons

CR104P Heavy-Duty Push Button Accessories, Components & Kits

600 Volts Maximum AC/DC
10 Amperes Continuous

One-step selection and pricing.

| Description | | Cat. No. | List Price, GO-10P1 | | | |
|--------------------------------------------------------|------------------------------------------|--------------|---------------------|--------|-------|------|
| General | Specific | | | | | |
| Incandescent Lamps | | | | | | |
| All-voltage transformer lamp, min. bayonet base | 6 V, # 755 | CR104PXA16 | \$ 3.00 | | | |
| Full-voltage lamp, min. bayonet base | 6 V, #755 | CR104PXA16 | 3.00 | | | |
| | 12 V, #756 | CR104PXA12 | 3.00 | | | |
| | 24 V, #1819 | CR104PXA14 | 3.00 | | | |
| | 130 V, min. bayonet base | CR104PXA54 | 3.00 | | | |
| Resistor lamp | 120V, #120PSB, # 5 telephone slide base* | CR104PXA52Ⓣ | 3.00 | | | |
| | 240V, #120PSB, # 5 telephone slide base* | CR104PXA52Ⓣ | 3.00 | | | |
| Cluster light, min. screw base | 120 V, # 1835, min. bayonet base | CR104PXA15 | 3.00 | | | |
| | 6 V, #1768 | CR104PXA26 | 3.00 | | | |
| | 12 V, #373 | CR104PXA22 | 3.00 | | | |
| 24 V, #399 | CR104PXA24 | 3.00 | | | | |
| LED Lamps | | | | | | |
| LED (Flat Top) Min. bayonet base, replaces lamp 755 | 6 AC/DC | 080BA9S6L* | 18.00Ⓣ | | | |
| | 12 AC/DC | 080BA9S12L* | 18.00Ⓣ | | | |
| | 24 AC/DC | 080BA9S24L* | 18.00Ⓣ | | | |
| | 48 AC/DC | 080BA9S48L* | 18.00Ⓣ | | | |
| | 120 AC/DC | 080BA9S120L* | 18.00Ⓣ | | | |
| LED Colors | | | | | | |
| Colors | Red | Green | Yellow | Orange | White | Blue |
| * Color code | R | V | G | A | B | L |

| Description | | Cat. No. | List Price, GO-10P1 |
|------------------------------------|----------------------------------------------------------------------------------------------------------------------|----------------|---------------------|
| General | Specific | | |
| Neon | | | |
| 120 V, min. bayonet base, #NE51H-R | N/A | XA19 | 3.00 |
| Mushroom-Head Caps | | | |
| | Mushroom-head, 1-3/8" diameter. Depth (max. projection front of panel) = 1.10" (27.9mm) | Black | XM03B 6.00 |
| | | Red | XM03R 6.00 |
| | | Yellow | XM03E 6.00 |
| | | Green | XM03G 6.00 |
| | | Red, push-turn | XM04R 6.00 |
| | Mushroom-head, 2 5/8" diameter. Depth (max. projections front of panel) = 1.10" (27.9mm) | Black | XM06B 6.00 |
| | | Red | XM06R 6.00 |
| | | Yellow | XM06E 6.00 |
| | | Green | XM06G 6.00 |
| | Mushroom-head for illuminated push buttons, 1 3/8" diameter. Depth (max. projection front of panel) = 1.20" (30.5mm) | Red | XL06R 4.20 |
| | | Yellow | XL06E 4.20 |
| | | Green | XL06G 4.20 |
| | | Blue | XL06L 4.20 |
| | | Amber | XL06M 4.20 |
| | | White | XL06W 4.20 |
| | Clear | XL06C 4.20 | |

| Description | | Cat. No. CR104P | List Price, GO-10P1 |
|------------------------------|----------------------------------------------------------------------------------------------|-----------------|---------------------|
| General | Specific | | |
| Mushroom-Head Caps | | | |
| | Mushroom-head for key-operated push buttons, 2 5/8" diameter | Red | XM08R 6.00 |
| | Replacement heads for protected mushroom-head push buttons (CR104PTY operators) | Black | TYZ152 6.00 |
| | | Red | TYZ153 6.00 |
| | | Orange | TYZ154 6.00 |
| | | Yellow | TYZ155 6.00 |
| | | Green | TYZ156 6.00 |
| | | Blue | TYZ157 6.00 |
| | White | TYZ158 6.00 | |
| Selector Switch Knobs | | | |
| | Nonilluminated selector switch knob. Depth (max. projection front of panel) = 1.16" (29.5mm) | Black | XM02B .75 |
| | | Red | XM02R .75 |
| | | Yellow | XM02E .75 |
| | | Green | XM02G .75 |
| | | Blue | XM02L .75 |
| | Illuminated selector switch knob. Depth (max. projection front of panel) = 1.11" (28.2mm) | Red | XL03R 4.20 |
| | | Yellow | XL03E 4.20 |
| | | Green | XL03G 4.20 |
| | | Blue | XL03L 4.20 |
| | | Amber | XL03M 4.20 |
| | | White | XL03W 4.20 |
| | | Clear | XL03C 4.20 |
| Lenses | | | |
| | Illuminated push button lens. Depth (max. projection front of panel) = 1.20" (30.5mm) | Red | XL05R 4.20 |
| | | Yellow | XL05E 4.20 |
| | | Green | XL05G 4.20 |
| | | Blue | XL05L 4.20 |
| | | Amber | XL05M 4.20 |
| | | White | XL05W 4.20 |
| | Clear | XL05C 4.20 | |
| | Cluster light lens & divider (white) | For 2-lamp unit | XL02W 5.70 |
| | | For 4-lamp unit | XL04W 5.70 |
| | Indicating light lens. Depth (max. projection front of panel) = 0.92" (23.4mm) | Red | XL01R 4.20 |
| | | Yellow | XL01E 4.20 |
| | | Green | XL01G 4.20 |
| | | Blue | XL01L 4.20 |
| | | Amber | XL01M 4.20 |
| | White | XL01W 4.20 | |
| | Clear | XL01C 4.20 | |
| | Push-to-test indicating light lens. Depth (max. projection front of panel) = 1.20" (30.5mm) | Red | XL07R 4.20 |
| | | Yellow | XL07E 4.20 |
| | | Green | XL07G 4.20 |
| | | Blue | XL07L 4.20 |
| | | Amber | XL07M 4.20 |
| | | White | XL07W 4.20 |
| | | Clear | XL07C 4.20 |

① For replacement only (GO-11GS).
② GO-10GC.

9 PUSH BUTTONS



Section 9

The GE push button offering includes a complete line of control units and stations in both full size push buttons (30 mm) and in miniature size devices (22 mm) which are designed to be used in numerous types of industrial applications.

The CR104P full-size, heavy-duty oiltight and watertight line is complete with a variety of accessories and enclosures.

Light Tower Status Indicating Lights provide information at a glance in industrial or commercial environments where you need to transmit and receive information across a distance. Modularity and versatility make them valuable in a broad range of applications.

GE's C-2000™ 22mm Global Push Buttons are designed to be applied in just about any application worldwide. C-2000 push buttons conform to all major world standards and are UL listed and CSA Certified. All devices except the double push button are rated for NEMA 1, 3, 3R, 3S, 4, 4X, 12, 13, and IP66 when mounted in a suitable enclosure. C-2000 push buttons are manufactured in an ISO 9000 facility, assuring you that these products comply with quality standards that are recognized worldwide. Pre-engraved nameplates are available in French, Spanish, Italian, German, and English. The C-2000 push button line is globally available under the same catalog numbers, packaging, and markings anywhere in the world.

An entire listing of CR2943 and CR2941 standard-duty push button control stations is available, suitable for NEMA Type 1, 4, 4X, and 7 and 9 applications.



| | |
|-------------------------------------------------------------------------------------------------------------|----------------|
| Heavy-Duty 30mm Push Buttons, Selector Switches, Indicating Lights, Accessories (CR104P Series) | 9-2 to 9-36 |
| Light Tower Status Indicating Lights (SL Series) | 9-37 to 9-47 |
| C-2000™ 22mm Global Push Buttons (P9 Series) | 9-48 to 9-100 |
| Standard-Duty Push Button Control Stations (CR2943 and CR2941 Series) | 9-101 to 9-103 |
| Palm Switches | 9-104 |

References:
See Publication Index, Section 18.

9 PUSH BUTTONS

CR104P Heavy-Duty Push Buttons

600 Volts Maximum AC/DC
10 Amperes Continuous

Technical Data General Specifications

| | | | |
|--------------------------------|------------------------------------------------------------------------------------------------------------------------------------------------------------------------------------------------------------------------------------------------------|------------------------------------------------------------------------------------------------|----------------------------------------------------------|
| Standards & approvals | UL listed —File Number E2403 CSA Certified —LR15492, Class 321103 NEMA —ICS2 — 1988 IEC 947.5.1 VDE 0660 | | |
| Enclosure ratings | All units are suitable for use in NEMA Type 1, 3, 3R, 4, 4X, 12, and 13 applications when mounted in enclosures rated for those same applications. For some NEMA 4X applications, protective caps will provide improved corrosion resistance. | | |
| Finger protection at terminals | IP2X according to IEC 529 Terminal identification per CENELEC EN 50013 | | |
| Temperature range | <u>Operating</u> -25° to +70°C -13° to +158°F | | <u>Storage</u> -40° to +70°C -40° to +158°F |
| Climate suitability/humidity | <u>Climate Type</u> Temperate Wet Hot Wet Variable Wet | <u>Temperature</u> 74°F (23°C) 74°F (23°C) 104°F (40°C) 74° to 104°F (23° to 40°C) | <u>Relative Humidity</u> 50% 83% 92% 83%-92% |
| Shock and vibration | Resistance to shock —50g, 11ms Frequency range —1-100 Hz Vibration amplitude —1-13.2 Hz—displacement ±1mm 13.2-100 Hz—acceleration ±0.7g | | |
| Operating force | | <u>Standard recessed push buttons</u> | <u>Standard flush push buttons</u> |
| | Without contact blocks With 1NO contact block With 2 NO contact blocks With 3 NO contact blocks | 1.625 lb./f. 2.5 lb./f. 3.5 lb./f. 4.0 lb./f. | 2.5 lb./f. 2.875 lb./f. 3.5 lb./f. 4.375 lb./f. |
| Wire size | 22-12 AWG stranded or solid copper wire | | |
| Torque requirements | Terminal screws: 10-14 in./lb. Contact block mounting screws: 10-14 in./lb. | | |

Contacts

| | | | |
|----------------------------------------------------------------------------------------------------|-------------------------------------------------------------------------------------------------------------------------------------------------------------------------------------|------------------------------------------------------------------------------------------------------------------------|-----------------------------|
| Electrical reliability data | With indicating light loads, tested for 5,000,000 operations at 40mA and 115 V resistive loads with no failures observed. | | |
| Electrical characteristics | <u>Characteristic</u> | <u>Value</u> | |
| | Thermal current | 10A per IEC 947-5-1 | |
| | Insulation voltage | Ui = 660 Vac/dc | |
| | Protection from electrical shock | Class I per IEC 536 for metal operators; Class II (double insulation) per IEC 536 for plastic operators | |
| | Insulation category | Group C per VDE 0110 | |
| | Dielectric strength | 2500 V | |
| | Short-circuit protection | 10A time-delay fuse gG per IEC 269.1 & 269.3 | |
| Finger-safe terminals | Available for silver and gold single- and double-circuit contact blocks, as components and as assembled versions. | | |
| Contact characteristics | NC: slow make, double break (positive opening) NO: slow make, double break Opposite polarity Self-cleaning below 300 volts NO and NC snap action (for use on joysticks) | | |
| AC Ratings, NEMA A600 Heavy Pilot Duty | Maximum AC voltage | Continuous current amperes | AC Voltamperes @ 60/50 Hz ⊕ |
| | 600 | 10 | Make Break |
| | | | 7200 720 |
| ⊕ Maximum make and break currents are 60 and 6 amperes respectively for voltages of 120 and below. | | | |
| DC Ratings, NEMA P600 | Maximum make or break amperes | | |
| | 125 V | 250 V | 600 V |
| | 1.1 | 0.55 | 0.2 |
| Reed switch block ratings | AC ratings | | DC ratings |
| | Operating voltage | 2-120 Vac | 2-30 Vdc |
| | Continuous current (maximum) | .001-.15A | .001-.15A |
| | Resistive, watts (VA) | 8 VA maximum | 4.5 VA maximum |
| Power supply resistor values | <u>Input</u> 120 Vac/dc 240 Vac/dc | <u>Resistor value</u> 750 ohms ±5%, 5 watts, 2 resistors in series 2700 ohms ±5%, 5 watts, 2 resistors in series | |

9 PUSH BUTTONS



GE Push Buttons

CR104P Heavy-Duty Push Buttons

600 Volts Maximum AC/DC
10 Amperes Continuous

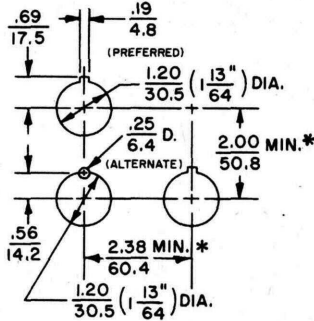
Technical Data, Dimensions

Mounting

CR104P push buttons are designed for front mounting, with or without nameplates, in 1¹³/₆₄" diameter holes. Operators are provided with an octagonal ring, spacers, and gaskets to ensure an oiltight, uniform front protrusion.

Drilling Plan

Dual Dimensions Inches Millimeters



Acceptable panel thickness 0.04 - 0.25 inches (1.02 - 6.35mm)

Mechanical Life Ratings

| Operator | Number of Operations |
|------------------------------------------------------------------------|----------------------|
| Standard push buttons | 3,000,000 |
| Illuminated push buttons (including push-on/push-off) | 1,000,000 |
| Momentary mushroom-head push buttons | 3,000,000 |
| Maintained & push-to-latch, turn-to-release mushroom-head push buttons | 500,000 |
| Selector switches (all) | 1,000,000 |
| Joysticks | 500,000 |
| Toggle switches | 500,000 |
| Wobble sticks | 1,000,000 |
| Key-operated push buttons | 500,000 |
| Selector push buttons | 1,000,000 |
| Time-delay push buttons | 1,000,000 |

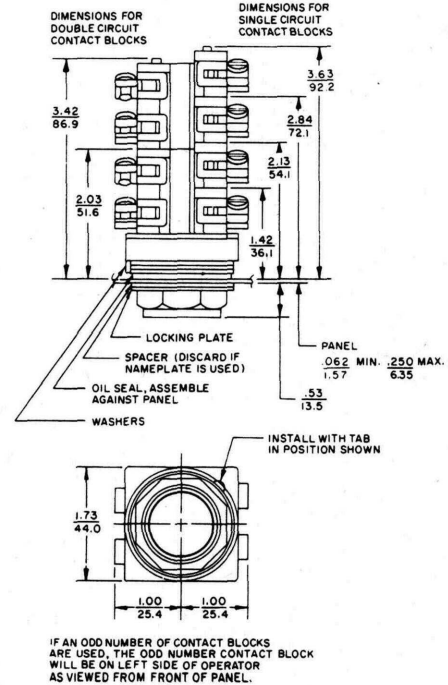
Electrical Life Ratings

| |
|--------------------------------------|
| Push buttons—5,000,000 operations |
| Selector switches—500,000 operations |

Maximum Contacts

| Operator | Single Circuit | | Double Circuit | |
|-------------------------------------------------------------|----------------|----------|----------------|----------|
| | Blocks | Contacts | Blocks | Contacts |
| Nonilluminated selector switches (excluding 4-position) | 6 | 6 | 6 | 12 |
| Combination (push-turn) | 6 | 6 | 6 | 12 |
| Nonilluminated momentary push buttons (incl. mushroom-head) | 8 | 8 | 4 | 8 |
| Illuminated momentary push buttons | 4 | 4 | 2 | 4 |
| Push-to-latch/turn-to-release mushroom-head push buttons | 4 | 4 | 4 | 8 |
| Cylinder lock push buttons | 4 | 4 | 4 | 8 |
| Illuminated selector switches | 4 | 4 | 2 | 4 |
| 3-position & 5-position joysticks | 4 | 4 | 4 | 8 |
| Push-pull illuminated mushroom-head push buttons | 2 | 2 | 2 | 4 |
| Push-pull nonilluminated mushroom-head push buttons | 2 | 2 | 2 | 4 |
| Nonilluminated 4-position selector switches | — | — | 2 | 4 |
| Push-push illuminated push buttons | 2 | 2 | — | — |

Dual Dimensions Inches Millimeters (For Estimating Only)



For dimensional information on other operators, contact nearest GE Industrial Systems—Electrical Distribution and Control Representative. Manufacturing tolerances apply to all untoleranced dimensions.

| Panel thickness (inches) | No. of washers required |
|--------------------------|-------------------------|
| .062 | 3 |
| .093 | 2 |
| .125 | 2 |
| .188 | 1 |
| .25 | 0 |

Materials

| Component | Material |
|------------------------------|-----------------------------------------|
| Cap (nonilluminated) | Unfilled polyacetal |
| Cap (illuminated) | Polycarbonate |
| Metal housings | Chromium- or zinc-plated zinc ingot |
| Plastic housing | Nylon |
| White plunger | Unfilled polyacetal |
| Flange | Nylon |
| Grease | Good for temperatures of -42° to +204°C |
| Plate spacer | Polycarbonate |
| Locking plate | Chromium-plated zinc ingot |
| Locking ring | Chromium-plated zinc ingot |
| Hexagonal ring | Chromium-plated zinc ingot |
| Contact block housing | Nylon |
| Cam | Unfilled Polyacetal |
| Cam follower | Unfilled Polyacetal |
| Joystick protective housings | Vinyl nitrile |
| Terminal screw | #6-32 |
| Gasket | Vinyl nitrile |
| Contacts | Silver alloy |
| Push button guards | Chromium-plated zinc ingot |
| Wobble stick | Aluminum |
| Key | Brass |
| Protective caps | Silicon rubber |
| Locking attachment | Polycarbonate |