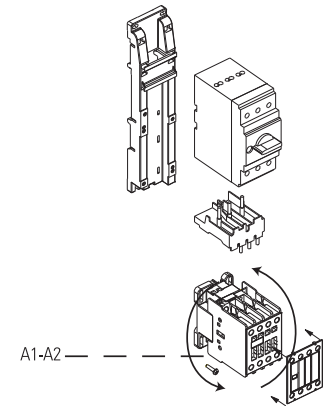


# IEC Manual Motor Starters Accessories

### Integrated Starter Components

Accessory Type	For Use With	Contactors Prefix	Coil Volts	Product Number	List Price GO-10A2C
Bases	GPS1*	MC0/MC1 (optional), CL00, 01, 02, 25 (optional), CL00, 01, 02, 25	AC or DC AC DC	GPF1B1A	\$20.00
Bases	GPS1*	CL04	AC or DC	GPF1B4A	\$23.00
Bases	GPS2*	CL04, CL45	AC or DC	GPF2B2A	\$25.00
Bases	GPS2*	CL06, CL07	AC	GPF2B3A	\$30.00
Links	GPS1*	MC0/MC1	AC & DC	GPF1LMCBA	\$8.00
Links	GPS1*	CL00, CL01, CL02	AC	GPF1L02AA	\$9.00
Links	GPS1*	CL00, CL01, CL02	DC	GPF1L02DA	\$12.00
Links	GPS1*	CL25	AC	GPF1L25AA	\$9.00
Links	GPS1*	CL25	DC	GPF1L25DA	\$12.00
Links	GPS1*	CL04	AC	GPF1L04AA	\$14.00
Links	GPS1*	CL04	DC	GPF1L04DA	\$18.00
Links	GPS2*	CL04	AC	GPF2L04AA	\$14.00
Links	GPS2*	CL04	DC	GPF2L04DA	\$18.00
Links	GPS2*	CL45	AC	GPF2L45AA	\$14.00
Links	GPS2*	CL45	DC	GPF2L45DA	\$18.00
Links	GPS2*	CL06, CL07	AC	GPF2L07AA	\$25.00



Integrated Starter Components

### Integrated Starter Components

For integrated starter applications, rotate CL contactors 180°, coil terminals down. This permits direct access to the A1-A2 coil terminals when contactors are assembled to the manual motor starter. Then attach the plastic cover to the front of the contactor so that terminal numbering is in the correct position. Note: After 180° rotation, the built-in auxiliary contact on CL00\_\_, CL01\_\_, CL02\_\_ and CL04\_\_ will be located on the first terminal on the left side.

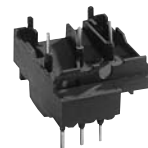
Accessory Type	Contactors Prefix	Built-In Aux Contacts	Product Number	List Price GO-10A2C
Covers	CL00, CL01, CL02	1NO	GPF10C02 <sup>1</sup>	\$3.00
Covers	CL00, CL01, CL02	1NC	GPF01C02 <sup>1</sup>	\$3.00
Covers	CL25	None	GPF00C25 <sup>1</sup>	\$3.00
Covers	CL04	1NO	GPF10C04 <sup>2</sup>	\$3.00
Covers	CL04	1NC	GPF01C04 <sup>2</sup>	\$3.00
Covers	CL45	None	GPF00C45 <sup>2</sup>	\$3.00
Covers	CL06, CL07 (AC Only)	None	GPF00C08 <sup>2</sup>	\$4.00

<sup>1</sup>Covers accommodate a maximum of 2 front auxiliary contact blocks.

<sup>2</sup>Covers accommodate a maximum of 4 front auxiliary contact blocks.



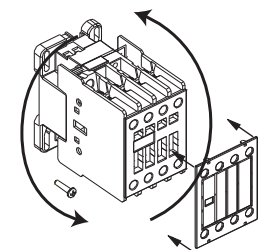
GPF\_B\_A Bases



GPF1L\_\_\_\_\_/GPF2L\_\_\_\_\_/Links



Cover



Rotate CL contactors 180 degrees



**Publications and Reference:** See Section 17 for a complete list of additional product-related publications