

Molded Case Circuit Breakers Record Plus® FC 100

Section 3

Page Updated 09 / 2008

3-Pole Record Plus® FC 100 Breakers IC @ 480 Vac

Rated Current (A)	25kA Product No.	List Price GO-135H	35kA Product No.	List Price GO-135H	65kA Product No.	List Price GO-135H	100kA Product No.	List Price GO-135H	150kA Product No.	List Price GO-135H	Connection
15	FCS36TE015R1	\$747.00									Line and Load Lugs Installed
	FCS36TE015R2	\$738.00	FCV36TE015R2	\$778.00	FCN36TE015R2	\$859.00	FCH36TE015R2	\$1295.00	FCL36TE015R2	\$1751.00	Load Lugs Only
20	FCS36TE020R1	\$747.00									Line and Load Lugs Installed
	FCS36TE020R2	\$738.00	FCV36TE020R2	\$778.00	FCN36TE020R2	\$859.00	FCH36TE020R2	\$1295.00	FCL36TE020R2	\$1751.00	Load Lugs Only
25	FCS36TE025R1	\$747.00	FCV36TE025R1	\$787.00	FCN36TE025R1	\$868.00	FCH36TE025R1	\$1304.00	FCL36TE025R1	\$1760.00	Line and Load Lugs Installed
	FCS36TE025R2	\$738.00	FCV36TE025R2	\$778.00	FCN36TE025R2	\$859.00	FCH36TE025R2	\$1295.00	FCL36TE025R2	\$1751.00	Load Lugs Only
30	FCS36TE030R1	\$747.00	FCV36TE030R1	\$787.00	FCN36TE030R1	\$868.00	FCH36TE030R1	\$1304.00	FCL36TE030R1	\$1760.00	Line and Load Lugs Installed
	FCS36TE030R2	\$738.00	FCV36TE030R2	\$778.00	FCN36TE030R2	\$859.00	FCH36TE030R2	\$1295.00	FCL36TE030R2	\$1751.00	Load Lugs Only
35	FCS36TE035R1	\$747.00	FCV36TE035R1	\$787.00	FCN36TE035R1	\$868.00	FCH36TE035R1	\$1304.00	FCL36TE035R1	\$1760.00	Line and Load Lugs Installed
	FCS36TE035R2	\$738.00	FCV36TE035R2	\$778.00	FCN36TE035R2	\$859.00	FCH36TE035R2	\$1295.00	FCL36TE035R2	\$1751.00	Load Lugs Only
40	FCS36TE040R1	\$747.00	FCV36TE040R1	\$787.00	FCN36TE040R1	\$868.00	FCH36TE040R1	\$1304.00	FCL36TE040R1	\$1760.00	Line and Load Lugs Installed
	FCS36TE040R2	\$738.00	FCV36TE040R2	\$778.00	FCN36TE040R2	\$859.00	FCH36TE040R2	\$1295.00	FCL36TE040R2	\$1751.00	Load Lugs Only
45	FCS36TE045R1	\$747.00	FCV36TE045R1	\$787.00	FCN36TE045R1	\$868.00	FCH36TE045R1	\$1304.00	FCL36TE045R1	\$1760.00	Line and Load Lugs Installed
	FCS36TE045R2	\$738.00	FCV36TE045R2	\$778.00	FCN36TE045R2	\$859.00	FCH36TE045R2	\$1295.00	FCL36TE045R2	\$1751.00	Load Lugs Only
50	FCS36TE050R1	\$747.00	FCV36TE050R1	\$787.00	FCN36TE050R1	\$868.00	FCH36TE050R1	\$1304.00	FCL36TE050R1	\$1760.00	Line and Load Lugs Installed
	FCS36TE050R2	\$738.00	FCV36TE050R2	\$778.00	FCN36TE050R2	\$859.00	FCH36TE050R2	\$1295.00	FCL36TE050R2	\$1751.00	Load Lugs Only
60	FCS36TE060R1	\$747.00	FCV36TE060R1	\$787.00	FCN36TE060R1	\$868.00	FCH36TE060R1	\$1304.00	FCL36TE060R1	\$1760.00	Line and Load Lugs Installed
	FCS36TE060R2	\$738.00	FCV36TE060R2	\$778.00	FCN36TE060R2	\$859.00	FCH36TE060R2	\$1295.00	FCL36TE060R2	\$1751.00	Load Lugs Only
70	FCS36TE070R1	\$849.00	FCV36TE070R1	\$902.00	FCN36TE070R1	\$1010.00	FCH36TE070R1	\$1597.00	FCL36TE070R1	\$2147.00	Line and Load Lugs Installed
	FCS36TE070R2	\$840.00	FCV36TE070R2	\$893.00	FCN36TE070R2	\$1001.00	FCH36TE070R2	\$1588.00	FCL36TE070R2	\$2138.00	Load Lugs Only
80	FCS36TE080R1	\$849.00	FCV36TE080R1	\$902.00	FCN36TE080R1	\$1010.00	FCH36TE080R1	\$1597.00	FCL36TE080R1	\$2147.00	Line and Load Lugs Installed
	FCS36TE080R2	\$840.00	FCV36TE080R2	\$893.00	FCN36TE080R2	\$1001.00	FCH36TE080R2	\$1588.00	FCL36TE080R2	\$2138.00	Load Lugs Only
90	FCS36TE090R1	\$849.00	FCV36TE090R1	\$902.00	FCN36TE090R1	\$1010.00	FCH36TE090R1	\$1597.00	FCL36TE090R1	\$2147.00	Line and Load Lugs Installed
	FCS36TE090R2	\$840.00	FCV36TE090R2	\$893.00	FCN36TE090R2	\$1001.00	FCH36TE090R2	\$1588.00	FCL36TE090R2	\$2138.00	Load Lugs Only
100	FCS36TE100R1	\$849.00	FCV36TE100R1	\$902.00	FCN36TE100R1	\$1010.00	FCH36TE100R1	\$1597.00	FCL36TE100R1	\$2147.00	Line and Load Lugs Installed
	FCS36TE100R2	\$840.00	FCV36TE100R2	\$893.00	FCN36TE100R2	\$1001.00	FCH36TE100R2	\$1588.00	FCL36TE100R2	\$2138.00	Load Lugs Only



Publications and Reference: See Section 22 for a complete list of additional product-related publications

Molded Case Circuit Breakers Industrial Circuit Breakers

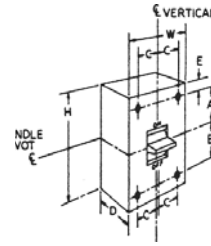
Quick Reference Guide

15-600A Record Plus® Circuit Breakers

Section 3

Page Updated 08 / 2008

The interruption ratings and voltages shown in the table are maximum ratings. A circuit breaker of the type given in the left-hand column may be applied at the given circuit voltage in any electrical distribution system where the available fault current at the load terminals of the breaker does not exceed the value in the table. That circuit breaker type may also be applied at intermediate values of circuit voltage provided the available fault current at the load terminals of the breaker does not exceed the value in the table for the higher value of voltage.



FG 600

Ratings

FC 100 Amp Frame; Current Limiting (UL File No. E-11592)

Circuit Breaker Type	Ampere Rating	No. Poles	Maximum Voltage Rating		UL Listed Interrupting Ratings - rms Symmetrical Amperes (in Thousands)					IEC Listed Interrupting Ratings, Icu, Amperes (in Thousands)				Dimensions in. (mm.)			Approx. Ship Wt./Std. Pack	
			AC	DC	Vac			Vdc		Vac		Vdc		H	W	D		
					240	480	600/347	250 (2p)	500 (3p)	220-240	400-415	500	250 (2p)					500 (3p)
FCS	15-100	2, 3	600	500	42	25	18	22	30	36	22	14	22	30	6.4 (162.6)	3.0 (76.2)	3.2 (81.3)	2.5 lb/1
FCV	15-100	2, 3	600	500	65	35	22	25	35	50	30	18	25	35	6.4 (162.6)	3.0 (76.2)	3.2 (81.3)	2.5 lb/1
FCN	15-100	2, 3	600	500	150	65	25	30	42	85	50	22	30	42	6.4 (162.6)	3.0 (76.2)	3.2 (81.3)	2.5 lb/1
FCH	15-100	2, 3	600	500	200	100	35	42	65	100	80	36	42	65	6.4 (162.6)	3.0 (76.2)	3.2 (81.3)	2.5 lb/1
FCL	15-100	2, 3	600	500	200	150	42	65	80	200	150	50	65	80	6.4 (162.6)	3.0 (76.2)	3.2 (81.3)	2.5 lb/1

FB 100 Amp Frame; Current Limiting (UL File No. E-11592)

Circuit Breaker Type	Ampere Rating	No. Poles	Maximum Voltage Rating		UL Listed Interrupting Ratings - rms Symmetrical Amperes (in Thousands)					Dimensions in. (mm.)			Approx. Ship Wt./Std. Pack		
			AC	DC	Vac			Vdc		H	W	D			
					240	277	347	480	600/347						
FBV	15-100	1	600/347	—	35	—	35	—	22	—	—	6.45 (163.8)	1.36 (34.5)	3.28 (83.3)	1.1 lb/1
		2	600/347	—	65	—	—	—	—	35	22	6.45 (163.8)	2.74 (69.6)	3.28 (83.3)	2.6 lb/1
		3	600/347	—	65	—	—	—	—	35	22	6.45 (163.8)	4.11 (104.4)	3.28 (83.3)	3.3 lb/1
FBN	15-100	1	600/347	—	65	—	65	—	25	—	—	6.45 (163.8)	1.36 (34.5)	3.28 (83.3)	1.1 lb/1
		2	600/347	—	150	—	—	—	—	65	25	6.45 (163.8)	2.74 (69.6)	3.28 (83.3)	2.6 lb/1
		3	600/347	—	150	—	—	—	—	65	25	6.45 (163.8)	4.11 (104.4)	3.28 (83.3)	3.3 lb/1
FBH	15-100	1	600/347	—	100	—	100	—	35	—	—	6.45 (163.8)	1.36 (34.5)	3.28 (83.3)	1.1 lb/1
		2	600/347	—	200	—	—	—	—	100	35	6.45 (163.8)	2.74 (69.6)	3.28 (83.3)	2.6 lb/1
		3	600/347	—	200	—	—	—	—	100	35	6.45 (163.8)	4.11 (104.4)	3.28 (83.3)	3.3 lb/1
FBL	15-100	1	600/347	—	100	—	100	—	42	—	—	6.45 (163.8)	1.36 (34.5)	3.28 (83.3)	1.1 lb/1
		2	600/347	—	200	—	—	—	—	150	42	6.45 (163.8)	2.74 (69.6)	3.28 (83.3)	2.6 lb/1
		3	600/347	—	200	—	—	—	—	150	42	6.45 (163.8)	4.11 (104.4)	3.28 (83.3)	3.3 lb/1

FE 250 Amp Frame; Current Limiting (UL File No. E-11592)

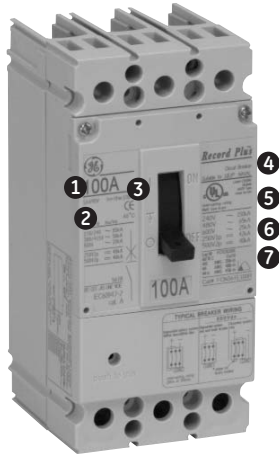
Circuit Breaker Type	Ampere Rating	No. Poles	Maximum Voltage Rating		UL Listed Interrupting Ratings - rms Symmetrical Amperes (in Thousands)			Dimensions in. (mm.)			Approx. Ship Wt./Std. Pack	
			AC	DC	Vac			H	W	D		
					240	480	600					
FEN	250	2	480	-	150	—	65	—	6.70 (170.1)	4.11 (104.4)	3.52 (89.5)	4.5 lb/1
FEN	250	3	480	-	150	—	65	—	6.70 (170.1)	4.11 (104.4)	3.52 (89.5)	4.5 lb/1
FEH	250	2	480	-	200	—	100	—	6.70 (170.1)	4.11 (104.4)	3.52 (89.5)	4.5 lb/1
FEH	250	3	480	-	200	—	100	—	6.70 (170.1)	4.11 (104.4)	3.52 (89.5)	4.5 lb/1

FG 600 Amp Frame; Current Limiting (UL File No. E-11592)

Circuit Breaker Type	Ampere Rating	No. Poles	Maximum Voltage Rating		UL Listed Interrupting Ratings - rms Symmetrical Amperes (in Thousands)			EN 60947-2 Interrupting Ratings, Icu, Amperes (in Thousands)			Dimensions in.			Approx. Ship Wt./Std. Pack
			AC	DC	Vac			Vac			H	W	D	
					240	480	600	240	400-415	690				
FGN	250-600	2	600	—	150	65	25	—	—	—	10.31 (262.0)	5.46 (138.7)	4.53 (115.0)	22 lb/1
		3	600	—	150	65	25	85	50	10	10.31 (262.0)	5.46 (138.7)	4.53 (115.0)	22 lb/1
FGH	250-600	2	600	—	200	100	35	—	—	—	10.31 (262.0)	5.46 (138.7)	4.53 (115.0)	22 lb/1
		3	600	—	200	100	35	100	80	22	10.31 (262.0)	5.46 (138.7)	4.53 (115.0)	22 lb/1
FGL	250-600	2	600	—	200	150	42	—	—	—	10.31 (262.0)	5.46 (138.7)	4.53 (115.0)	22 lb/1
		3	600	—	200	150	42	200	150	40	10.31 (262.0)	5.46 (138.7)	4.53 (115.0)	22 lb/1
FGP	250-600	2	600	—	200	200	65	—	—	—	10.31 (262.0)	5.46 (138.7)	4.53 (115.0)	22 lb/1
		3	600	—	200	200	65	—	—	—	10.31 (262.0)	5.46 (138.7)	4.53 (115.0)	22 lb/1



Molded Case Circuit Breakers Record Plus® FC 100



- 1 Breaker Frame Rating
- 2 Rated Voltage
- 3 Breaker Frame
- 4 Enclosed Rating
- 5 Product Description
- 6 Standards
- 7 Interruption Capacity Product Number

Reference Publications

Available for download from www.geelectrical.com/publibrary

FC Breaker	
Installation Instructions	DEH-40463
FC Breaker Accessories	
Bell Alarm & Aux. Switch	DEH-40324
Shunt Trip & Undervoltage Release	DEH-40363
Lug Kits	DEH-40532
Outline Drawings	
FC 2-3 pole	10085772SH1
Series Ratings	DET-008

Trip Curves

Trip Unit Rated Current (A)	Trip Curve
15	DES-013
20	DES-014
25	DES-015
30	DES-016
35	DES-017
40	DES-018
45	DES-019
50	DES-020
60	DES-021
70	DES-022
80	DES-023
90	DES-024
100	DES-025
Peak Current Curves	DES-030
Peak I ² t Curve	DES-031

Main Standards

- UL 489
- IEC 947 and associated EN Sections

FC Breaker Markings

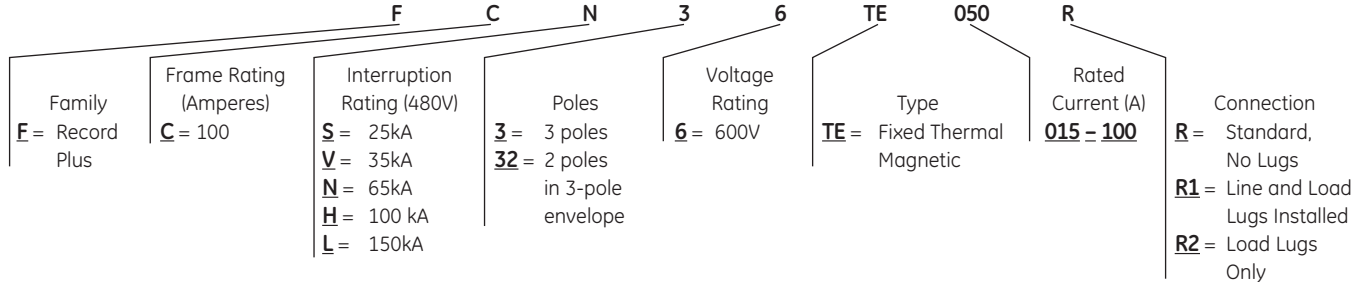
cULus	UL File E-11592
HACR	15 to 100A
Cu/Al 60/75°C	15 to 100A
Current Limiting	15 to 100A

FC 100 Amp Frame Overview

Interrupting Ratings — Federal Spec C/B Class WC-375B

Type	Ampere Rating	No. Poles	Max AC/DC Voltage	UL Listed Interrupting Ratings - rms Symmetrical Amperes (in Thousands)					IEC Listed Interrupting Ratings, Icu, Amperes (in Thousands)				
				AC Voltage			DC Voltage		AC Voltage			DC Voltage	
				240	480	600/347	250 (2p)	500 (3p)	220-240	400-415	500	250 (2p)	500 (3p)
FCS	15-100	2,3	600VAC, 500VDC	42	25	18	22	30	36	22	14	22	30
FCV	15-100	2,3	600VAC, 500VDC	65	35	22	25	35	50	30	18	25	35
FCN	15-100	2,3	600VAC, 500VDC	150	65	25	30	42	85	50	22	30	42
FCH	15-100	2,3	600VAC, 500VDC	200	100	35	42	65	100	80	36	42	65
FCL	15-100	2,3	600VAC, 500VDC	200	150	42	65	80	200	150	50	65	80

Product Number Structure



Selection

Record Plus®, Non-Automatic Circuit Breaker (Molded Case Switch), 600 VAC

Ampere Rating	2-Pole		3-Pole		Lug Kit (3 per kit)	
	Product No.	List Price GO-135H	Product No.	List Price GO-135H	Product No.	List Price GO-135H
60	FCY206F060R	\$345.00	FCY306F060R	\$445.00	FCALK13	\$9.00
100	FCY206F100R	\$345.00	FCY306F100R	\$445.00	FCALK14	\$9.00



Publications and Reference: See Section 22 for a complete list of additional product-related publications

Molded Case Circuit Breakers

Record Plus® FC 100

External Accessories

Lugs and Lug Kits

Amp Range	Wire Range	Strip Length	Single Lug Product No.	List Price GO-135H	Lug Kit Product No. (Set of 3)	List Price GO-135H
15-20A	14-10 Cu/Al	.40-.50"	FCAL12	\$3.25	FCALK12	\$9.00
25-60A	10-4 Cu/Al	.40-.50"	FCAL13	\$3.25	FCALK13	\$9.00
70-100A	4-1/0 Cu/Al	.40-.50"	FCAL14	\$3.25	FCALK14	\$9.00

Lug Tightening Torque

Wire Size	Torque
#10 AWG	35 in-lb
#8 AWG	40 in-lb
#6-#4 AWG	45 in-lb
#3 AWG - 1/0	50 in-lb

Handles and Handle Accessories

Type	Description	Product No.	List Price	
Cable	Breaker Mechanism	Breaker Mechanism	FCNBM \$96.00 ¹	
Operators and Mechanisms	Flange Mounted Handle	6 inches for NEMA 1, 3R, 12,13	FCNHM1 \$188.00 ¹	
	Mechanism for Cable Operator	10 inches for NEMA 1, 3R, 12,13	FCNHM2 \$280.00 ¹	
		6 inches for NEMA 4/4X	FCNHM3 \$258.00 ¹	
		10 inches for NEMA 4/4X	FCNHM4 \$373.00 ¹	
Operating Cable	3 feet	SC3L	\$91.00 ²	
	4 feet	SC4L	\$108.00 ²	
	5 feet	SC5L	\$119.00 ²	
	6 feet	SC6L	\$134.00 ²	
	7 feet	SC7L	\$148.00 ²	
	8 feet	SC8L	\$163.00 ²	
	9 feet	SC9L	\$196.00 ²	
	10 feet	SC10L	\$243.00 ²	
	STDA Flange Handles, Operators, and Hardware Kits	Flange Handle for Variable Depth Operating Mechanism	Same as Spectra®: 6-inch for NEMA 12/13	STDA1 \$83.00 ²
			Same as Spectra®: 10-inch for NEMA 12/13	STDA2 \$95.00 ²
Same as Spectra®: 6-inch for NEMA 4/4X			STDA1X \$148.00 ²	
Same as Spectra®: 10-inch for NEMA 4/4X			STDA2X \$165.00 ²	
Flange Operating Mechanism		Operating Mechanism Only	FCNFM \$67.00 ²	
Flange Stiffener Kit		Use with FCNFM	TDSR \$30.00 ²	
Extender Kit		Use with FCNFM	TDSR \$30.00 ²	
Extended Drive Stud		Use with FCNFM	TDS1 \$30.00 ²	
Door Hardware Kit NEMA12/13		Door Hinged on Left, NEMA 12/13, 2-point Kit	TDV1 \$134.00 ²	
Door Hardware Kit NEMA 4/4X		Door Hinged on Left, NEMA 4/4X, 2-point Kit	TDV1X \$174.00 ²	
Third Point Latch Kit	For Use With TDV1/TDV1X Above	TDV3 \$30.00 ²		
Door Hardware Kit NEMA12/13	Door Hinged on Right, NEMA 12/13 2-point Kit	TDV1L \$134.00 ²		
Door Hardware Kit NEMA 4/4X	Door Hinged on Right, NEMA 4/4X, 2-point Kit	TDV1LX \$174.00 ²		
Third Point Latch Kit	For Use with TDV1L, TDC1LX Above	TDV3L \$30.00 ²		
Auxiliary	DPDT for STDA Handle on Right	TDAS1R2 \$134.00 ²		
Contact Kits	DPDT for STDA Handle on Left	TDAS1R2 \$144.00 ²		
TDR Style	Vertical Mount	FCNRC \$66.00 ¹		
Rotary Handles	Vertical Mount (Narrow)	FCNRCN \$66.00 ¹		
	Vertical Mount (Narrow, No Interlock)	FCNRCNI \$66.00 ¹		
	Horizontal Mount	FCNRD \$66.00 ¹		
	Door-Ring Interlock	FCFRDRCK \$11.00 ¹		
	Door Gasket Kit	SEFRGSK \$4.00 ³		
	TDM Style	Direct Mount	FCNRR \$79.00 ¹	
Rotary Handles	Direct Through Door	Complete Kit for NEMA 1, 3R, 12	FCNRT \$79.00 ¹	
	Operating Mechanism Only	For NEMA 1, 3R, 12, 4 and 3/16	FCNRM1 \$52.00 ¹	
		For NEMA 4/4X, 4 and 3/16	FCNRM2 \$52.00 ¹	
		For NEMA 1, 3R, 12, 6 and 1/8 - 15	FCNRM3 \$52.00 ¹	
		For NEMA 4/4X, 6 and 1/8 - 15	FCNRM4 \$52.00 ¹	
	Handle Only	For NEMA 1, 3R, 12	FNRH \$27.00 ¹	
		For NEMA 4/4X	THCH45 \$303.00 ³	

¹GO-144H

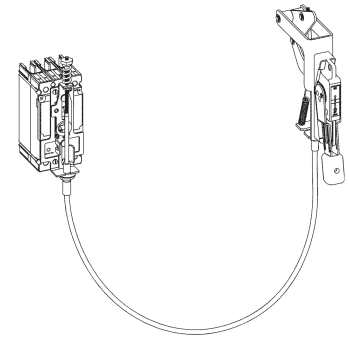
²GO-144A

³GO-144

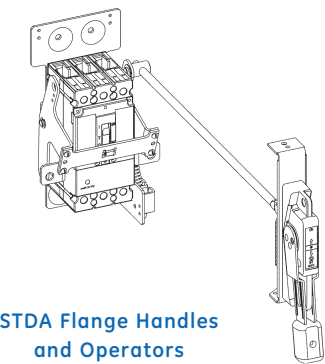
Dimensions in. (mm)

FC 100 Dimensions

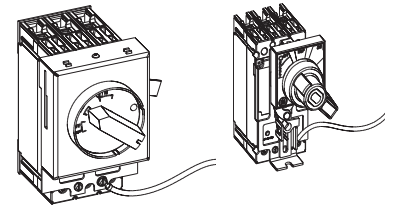
Frame	A	B	C	D	E	F	G	H
FC	3.7 (29.1)	3.2 (81.3)	.96 (24.4)	3.0 (76.2)	1.0 (25.4)	6.4 (162.6)	5.0 (127.0)	1.0 (25.4)



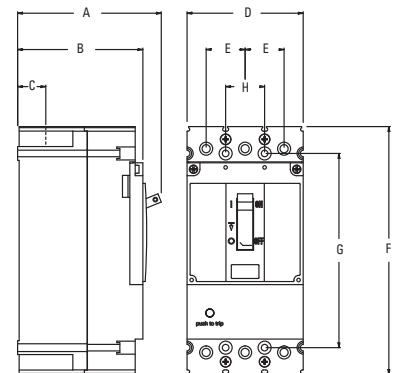
Cable Operators and Mechanisms



STDA Flange Handles and Operators



TDR/TDM Rotary Handles



FC 100 Amp Dimensions



Publications and Reference: See Section 22 for a complete list of additional product-related publications