

Molded Case Circuit Breakers

External Accessories

Cable Operators

How to Order

Use the circuit breaker mounting zone dimension table to determine the correct cable length for the application and ensure that the 3-inch minimum bending radius is not violated. Select the breaker mounted mechanism, operating cable and handle mechanism below. Order as separate components.

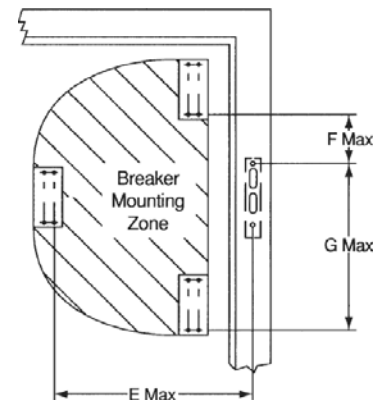
Publication References

Breaker types E150, SE150, SF250, SG600	GEH-6290
Breaker type SK1200	GEH-6291

See Section 22 for publication ordering information.

Maximum Dimensions in Inches

To determine the maximum mounting dimensions for 60-through 120-inch-long operating cables, add the respective additional lengths to the 48-inch cable maximum dimensions. (Example: Add 12 inches to E, F and G dimensions for 60-inch cable length.) When cable is installed, the minimum cable bend radius should not be less than 3 inches. The minimum cable bending requirement must be met to ensure a safe operating environment.



Circuit Breaker Mounting Zone Dimensions

Maximum Mounting Dimensions (in.)

Box Depth	36" Cable			48" Cable		
	E ¹	F	G	E ¹	F	G
8"	13.5	4.0	15.0	25.5	16.0	27.0
10"	13.0	5.0	14.8	25.0	17.0	26.8
12"	12.8	6.0	14.5	24.8	17.0	26.5
16"	10.5	4.5	14.2	22.5	16.5	26.2
18"	8.5	3.5	12.6	20.5	15.5	24.6
20"	-	0.5	10.0	22.0	15.0	24.0
24"	-	-	-	19.5	14.0	22.0

¹Maximum E Dimension only if F = 4.5"

Operating Cables

Cable Length	Circuit Breaker Type			
	E150, SE150, SF250, SG600		SK1200	
	Product Number	List Price GO-144A	Product Number	List Price GO-144A
3'	SC3L	\$91.00	SC3H	\$119.00
4'	SC4L	\$108.00	SC4H	\$141.00
5'	SC5L	\$119.00	SC5H	\$163.00
6'	SC6L	\$134.00	SC6H	\$185.00
7'	SC7L	\$148.00	SC7H	\$207.00
8'	SC8L	\$163.00	SC8H	\$229.00
9'	SC9L	\$196.00	SC9H	\$251.00
10'	SC10L	\$211.00	SC10H	\$273.00

Breaker and Handle Mechanisms

Circuit Breaker Type	Breaker Mounted Mechanism		Flange-Mounted Handle Mechanism							
			NEMA Enclosure Type 1, 3R, 12, 13				NEMA Enclosure Type 4, 4X			
			6"		10"		6"		10"	
Product Number	List Price GO-144A	Product Number	List Price GO-144A	Product Number	List Price GO-144A	Product Number	List Price GO-144A	Product Number	List Price GO-144A	
E150	SCOM1A	\$96.00								
SE150	SCOM1EF	\$133.00								
SF250	SCOM1EF	\$133.00	SCH1	\$188.00	SCH2	\$322.00	SCH1X	\$258.00	SCH2X	\$373.00
SG600	SCOM1G	\$148.00								
SK1200	SCOM1K	\$149.00	-	-	SCH2K	\$322.00	-	-	SCH2KX	\$373.00



Publications and Reference: See Section 22 for a complete list of additional product-related publications

Molded Case Circuit Breakers

External Accessories

Cable Operators

Section 3

Spectra® Flex Cable Operators

- UL Listed—File E-57253
- Reduced installation costs:
 - Simpler, faster installation
 - No special alignment required
- Optimized panel layout:
 - Breaker mounting position is independent of flange-mounted handle location
- Covers a full spectrum of enclosure types and sizes:
 - Flange-mounted handle for NEMA Types 1, 3R, 12 and 13 enclosures
 - Flange-mounted handle for NEMA 4/4X enclosures—optional
 - Broad range of enclosure sizes and breaker mounting configurations
 - 8 different operating cable lengths available from 3 to 10 feet
 - For circuit breaker types E150, SE150, SF250, SG600 and SK1200
 - Force and motion transmitted independently of breaker mounting plane or position relative to handle location
 - Common breaker mounted operator for SE150 and SF250 frames

Spectra® Flex cable operating mechanisms are suitable for application with GE circuit breakers mounted in a wide variety of flanged enclosure types and sizes.

Flange-mounted handle mechanisms are available for NEMA Types 1, 12 or 13 enclosures in either 6 inch (Model SCH1) or 10 inch (Model SCH2) handle lengths. Corresponding mechanisms, SCH1X and SCH2X, are available for NEMA Type 4/4X enclosures. Handle mechanisms are suitable for either left or right flange operation.

The handle mechanism is combined with one of eight operating cables, with lengths from 3 to 10 feet, to cover a broad range of possible breaker mounting locations in the enclosure. The cable links the handle mechanism to the breaker-mounted operating mechanism and transmits the mechanical force and motion of the handle mechanism to the breaker mounted mechanism. The force and motion is transmitted independently of the breaker mounting plane or location relative to the location of the handle mechanism, provided only that the bending radius of the cable is not less than 3 inches. No mounting reinforcement of the breaker or enclosure flange is required.

The breaker-operating mechanism mounts directly to the face of the breaker and does not involve any mounting interface with the enclosure. A standard breaker mounting screw kit for tapped holes is furnished with each mechanism to mount the breaker in the enclosure.

See page 3-93 for ordering and pricing information.

