

# REPLACEMENT BALLAST KITS



***Standard components  
for replacement of most  
existing Holophane HID  
ballasts***

## ***Benefits***

- 3 year warranty
  - Easy installation
  - Energy saving
  - Long life
- 
- High temperature rating
  - High power factor
  - UL recognized components
  - Multi-voltage
  - Shipped from stock
  - Brackets, hardware and instructions included

# REPLACEMENT BALLAST KITS

## Replacement ballast kits for Oval Capacitor — Ballast Kit A

Crestwood Series  
High Mast Enclosed Cutoff  
High Mast System  
Low Profile Series  
Module 600  
Paradome  
Petrolux Series  
Predator - Medium/Large  
Prismbeam II  
Somerset  
Substation  
Utility Series  
Visualite  
Wall pack Series

## Replacement ballast kits for Round Capacitor — Ballast Kit B

02454, 24I - Integrally mounted  
02454, 24S - Surface mounted  
Acrylic Historical Series  
Altaire  
Bantam 2000 Series (except 050MH)  
Compact PrismGlo - PAC  
Dorchester Series  
Enclosed Primalume (400W and lower)  
Enclosed Prismpack (400W and lower)  
Enduralume V  
GlasWerks Series  
Harp Series  
Illuminaire  
Indoor Refractopack  
Industrialux  
Lobay V  
Messenger  
Mongoose  
Parkpak  
PGRL, PGI  
PoleStar  
Predator - Small  
PrismAire II  
Prismalume (except large housing)  
PrismGlo (except BL2D)  
Prismpack V (except large housing)  
Refractopack  
RSL-200  
Sign-Vue II  
Twin Series  
Vantage VA and VH (250W only)  
Warehouse Prismpack

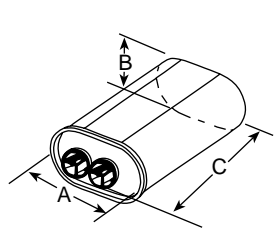
## Replacement ballast kits for Round Capacitor — Ballast Kit C (100°C)

CentaGlo (400W for 65°C)  
Enclosed Primalume (750 and 1000W)  
Enclosed Prismpack (750 and 1000W)  
Panel-Vue (150 and 400W HPS)  
Prismalume (400W for 65°C and 750 and 1000W)  
PrismGlo - BL2D  
Prismpack (400W for 65°C and 750 and 1000W)  
Sign-Vue II (150 and 400W HPS)  
Vantage VK  
Vantage VA and VH (400W)

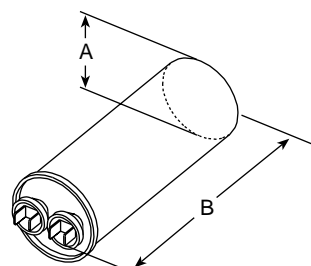
## Holophane Products Which Cannot Use Replacement ballast kits

02454, 24N - Non-ballasted  
02454, 24R - Remote mounted  
Compact PrismGlo - PAB  
CrystalGlo  
Enclosed Primalume - Remote  
Enclosed Prismpack - Remote  
Expresslite  
Mirrolume  
Perflector (available through TSG)  
Petrolume  
PGRL, PGN - Non-ballasted  
PGRL, PGR - Remote mounted  
Prismatron  
PrismGlo Remote Ballast  
Retailer

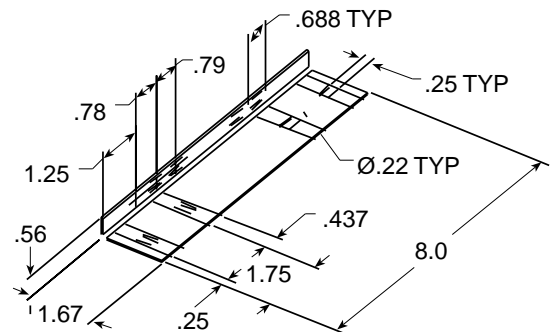
*All product names are registered trademarks or trade names of the Holophane*



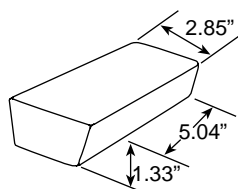
Oval capacitor



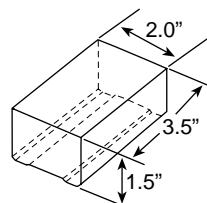
Round capacitor



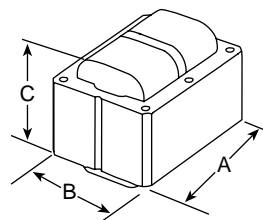
Mounting bracket



Potted Protected Starter (1000W HPS)



Potted PS and Standard Starter



Ballast

# Round Capacitor

Lamp	Catalog number	Input Voltage	Ballast A x B x C	Round Capacitor A x B	Ballast Type	Net wt kg (lbs)
35W HPS	RBK035HP12B	120	2.50 x 3.00 x 2.30	1.75 x 3.57	HPF Reactor	2 (4)
50W HPS	RBK050HP12B	120	2.50 x 3.00 x 2.31	1.75 x 3.57	HPF Reactor	2 (5)
	RBK050HP48B	480	4.00 x 2.87 x 3.00	1.75 x 3.57	HPF Auto	2 (5)
	RBK050HPMTB	120/208/240/277	4.00 x 2.87 x 2.69	1.75 x 3.57	HPF Auto Multi-Tap	2 (5)
70W HPS	RBK070HP12B	120	2.50 x 3.00 x 2.36	1.75 x 3.94	HPF Reactor	3 (6)
	RBK070HP48B	480	4.00 x 2.87 x 3.00	1.75 x 2.94	HPF Auto	3 (6)
	RBK070HPMTB	120/208/240/277	4.00 x 2.87 x 2.68	1.75 x 2.94	HPF Auto Multi-Tap	3 (6)
100W HPS	RBK100HP12B	120	2.50 x 3.00 x 2.59	1.75 x 3.94	HPF Reactor	4 (8)
	RBK100HP48B	480	4.00 x 2.87 x 3.81	1.75 x 2.94	HPF Auto	4 (8)
	RBK100HPMTB	120/208/240/277	4.00 x 2.87 x 3.25	1.75 x 2.94	HPF Auto Multi-Tap	4 (8)
150W HPS 55V	RBK15AHP12B	120	2.50 x 3.00 x 3.30	1.75 x 4.81	HPF Reactor	5 (10)
	RBK15AHP48B	480	4.00 x 2.87 x 4.10	1.75 x 2.94	HPF Auto	5 (10)
	RBK15AHPMTB	120/208/240/277	4.00 x 2.87 x 3.75	1.75 x 2.94	HPF Auto Multi-Tap	5 (10)
150W HPS 100V	RBK15BHP48B	480	4.00 x 2.87 x 3.81	1.75 x 2.94	HPF Auto	4 (9)
	RBK15BHPMTB	120/208/240/277	4.00 x 2.87 x 3.38	1.75 x 2.94	HPF Auto Multi-Tap	4 (9)
200W HPS	RBK200HP48B	480	4.87 x 4.25 x 3.13	1.75 x 4.81	Lead	5 (12)
	RBK200HPMTB	120/208/240/277	4.87 x 4.25 x 3.13	1.75 x 4.81	Lead Multi-Tap	5 (12)
250W HPS	RBK250HP48B	480	4.87 x 4.25 x 3.31	1.75 x 3.88	Lead	5 (12)
	RBK250HPMTB	120/208/240/277	4.87 x 4.25 x 3.31	1.75 x 3.88	Lead Multi-Tap	5 (12)
	RBK25LHP48B	480	4.87 x 4.25 x 3.31	1.75 x 3.88	Lead (Energy Saving)	5 (12)
	RBK25LHPMTB	120/208/240/277	4.87 x 4.25 x 3.31	1.75 x 3.88	Lead Multi-Tap (Energy Saving)	5 (12)
	RBK25RHPXXB <sup>1</sup>	See note 1	4.87 x 4.25 x 4.63	1.75 x 3.94	Mag-Reg	7 (16)
400W HPS	RBK400HP48B	480	4.87 x 4.25 x 4.31	1.75 x 4.81	Lead	8 (17)
	RBK400HPMTB	120/208/240/277	4.87 x 4.25 x 4.31	1.75 x 4.81	Lead Multi-Tap	8 (17)
	RBK40LHP48B	480	4.87 x 4.25 x 4.31	1.75 x 4.81	Lead (Energy Saving)	8 (18)
	RBK40LHPMTB	120/208/240/277	4.87 x 4.25 x 4.31	1.75 x 4.81	Lead Multi-Tap (Energy Saving)	8 (18)
	RBK40RHPXXB <sup>1</sup>	See note 1	6.12 x 4.25 x 4.69	2.50 x 3.37	Mag-Reg	10 (22)
	RBK400HP48C	480	4.87 X 4.25 X 4.31	2.50 x 3.37	Lead	8 (17)
	RBK400HPMTC	120/208/240/277	4.87 X 4.25 X 4.31	2.50 x 3.37	Lead Multi-Tap	8 (17)
1000W HPS	RBKC10HP48B	480	6.12 x 4.25 x 5.94	2.50 x 3.87	Lead	13 (28)
	RBKC10HPMTB	120/208/240/277	6.12 x 4.25 x 5.94	2.50 x 3.87	Lead Multi-Tap	13 (28)
50W MH	RBK050MHMTB	120/208/240/277	3.94 x 2.81 x 2.91	1.75 x 2.94	Autotransformer Multi-Tap	3 (6)
70W MH	RBK070MHMTB <sup>2</sup>	120/208/240/277	3.94 x 2.81 x 2.80	1.75 x 2.94	Autotransformer Multi-Tap	3 (7)
100W MH	RBK100MHMTB <sup>2</sup>	120/208/240/277	3.94 x 2.81 x 2.90	1.75 x 2.94	Autotransformer Multi-Tap	4 (9)
150W MH	RBK150MHMTB <sup>2</sup>	120/208/240/277	3.94 x 2.81 x 3.91	1.75 x 2.94	Autotransformer Multi-Tap	5 (10)
175W MH/MV	RBK175MH48B	480	4.00 x 2.87 x 3.82	1.75 x 2.94	Peak Lead Auto	5 (10)
	RBK175MHMTB	120/208/240/277	4.00 x 2.87 x 3.68	1.75 x 2.94	Peak Lead Multi-Tap	5 (10)
	RBK175PM48B	480	4.00 X 2.87 X 3.82	1.75 x 2.94	Peak Lead Auto	5 (10)
	RBK175PMMTB	120/208/240/277	4.00 X 2.87 X 3.68	1.75 x 2.94	Peak Lead Auto Multi-Tap	5 (10)
250W MH/MV	RBK250MH48B	480	4.87 x 4.25 x 3.50	1.75 x 3.94	Peak Lead Auto	5 (11)
	RBK250MHMTB	120/208/240/277	4.87 x 4.25 x 3.25	1.75 x 3.94	Peak Lead Auto Multi-Tap	5 (11)
	RBK25LMH48B	480	4.87 x 4.25 x 3.50	1.75 x 3.94	Peak Lead Auto (Energy Saving)	7 (15)
	RBK25LMHMTB	120/208/240/277	4.87 x 4.25 x 3.25	1.75 x 3.94	Peak Lead Auto Multi-Tap (Energy)	7 (15)
	RBK250PM48B	480	4.87 X 4.25 X 3.50	1.75 x 3.94	Peak Lead Auto	5 (11)
	RBK250PMMTB	120/208/240/277	4.87 X 4.25 X 3.25	1.75 x 3.94	Peak Lead Auto Multi-Tap	5 (11)
	RBK25LPM48B	480	4.87 X 4.25 X 3.50	1.75 x 3.94	Peak Lead Auto (Energy Saving)	7 (15)
RBK25LPMMTB	120/208/240/277	4.87 X 4.25 X 3.25	1.75 x 3.94	Peak Lead Auto Multi-Tap (Energy)	7 (15)	
320WMH	RBK320PM48B	480	4.87 X 4.25 X 4.25	1.75 x 3.94	CWA	6 (14)
	RBK320PMMTB	120/208/240/277	4.87 X 4.25 X 4.13	1.75 x 3.94	CWA Multi-Tap	6 (14)
350WMH	RBK350PM48B	480	4.87 X 4.25 X 4.00	1.75 x 4.25	HFP Reactor	6 (14)
	RBK350PMMTB	120/208/240/277	4.87 X 4.25 X 3.66	1.75 x 4.25	HFP Reactor Multi-Tap	6 (14)
	RBK35LPM48B	480	4.87 X 4.25 X 4.00	1.75 x 4.25	CWA	6 (14)
	RBK35LPMMTB	120/208/240/277	4.87 X 4.25 X 3.66	1.75 x 4.25	CWA Multi-Tap	6 (14)
400W MH/MV	RBK400MH48B	480	4.87 x 4.25 x 4.25	1.75 x 4.81	Peak Lead Auto	7 (15)
	RBK400MHMTB	120/208/240/277	4.87 x 4.25 x 4.25	1.75 x 4.81	Peak Lead Auto Multi-Tap	7 (15)
	RBK40LMH48B	480	4.87 x 4.25 x 4.18	1.75 x 4.81	Peak Lead Auto (Energy Saving)	7 (15)
	RBK40LMHMTB	120/208/240/277	4.87 x 4.25 x 3.88	1.75 x 4.81	Peak Lead Auto Multi-Tap (Energy)	7 (15)
	RBK40RMHXXB <sup>1</sup>	See note 1	6.12 x 4.25 x 5.88	2.50 x 3.37	Mag Reg	11 (24)
	RBK400PM48B	480	4.87 X 4.25 X 4.25	1.75 x 4.81	Peak Lead Auto	7 (15)
	RBK400PMMTB	120/208/240/277	4.87 X 4.25 X 4.25	1.75 x 4.81	Peak Lead Auto Multi-Tap	7 (15)
	RBK40LPM48B	480	4.87 X 4.25 X 4.18	1.75 x 4.81	Peak Lead Auto (Energy Saving)	7 (15)
	RBK40LPMMTB	120/208/240/277	4.87 X 4.25 X 3.88	1.75 x 4.81	Peak Lead Auto Multi-Tap (Energy)	7 (15)
	RBK400MH48C	480	4.87 X 4.25 X 4.25	2.50 x 3.37	Peak Lead Auto	7 (15)
RBK400MHMTC	120/208/240/277	4.87 X 4.25 X 4.25	2.50 x 3.37	Peak Lead Auto Multi-Tap	7 (15)	
750WMH	RBK750PM48C	480	6.125 X 4.25 X 5.12	2.50 x 3.37	CWA	11 (24)
	RBK750PMMTB	120/208/240/277	6.125 X 4.25 X 5.12	2.50 x 3.37	CWA Multi-Tap	11 (24)
1000W	RBKC10MH48B	480	6.12 x 4.25 x 5.12	2.50 x 3.37	Peak Lead Auto	11 (24)
	RBKC10MH48C	480	6.12 X 4.25 X 5.12	2.50 x 3.37	Peak Lead Auto	11 (24)
	RBKC10MHMTC	120/208/240/277	6.12 X 4.25 X 5.12	2.50 x 3.37	Peak Lead Auto Multi-Tap	11 (24)
1500W MH	RBKC15MHXXB <sup>1</sup>	See note 1	6.12 x 4.25 x 4.50	2.50 x 4.44	Peak Lead	15 (32)

**NOTES:** 1 Insert voltage 12-120V; 20-208V; 24-240V; 27-277V; or 48-480V for "XX" in catalog number  
 These voltages available at the same price  
 2 An ignitor 2.5" long by 1.25" diameter is included

# Oval Capacitor

Lamp	Catalog number*	Input Voltage	Ballast A x B x C	Oval Capacitor A x B x C	Ballast Type	Net wt kg (lbs)
35W HPS	RBK35NHP12	120	2.50 x 3.00 x 2.30	NONE	Normal PF Reactor	2 (4)
	RBK035HP12A	120	2.50 x 3.00 x 2.30	2.69 x 1.56 x 3.63	HPF Reactor	2 (4)
50W HPS	RBK05NHP12	120	2.50 x 3.00 x 2.31	NONE	Normal PF Reactor	2 (5)
	RBK050HP12A	120	2.50 x 3.00 x 2.31	2.69 x 1.56 x 3.63	HPF Reactor	2 (5)
	RBK050HP48A	480	4.00 x 2.87 x 3.00	2.69 x 1.56 x 3.26	HPF Auto	2 (5)
	RBK050HPMTA	120/208/240/277	4.00 x 2.87 x 2.69	2.69 x 1.56 x 3.26	HFP Auto Multi-Tap	2 (5)
70W HPS	RBK07NHP12	120	2.50 x 3.00 x 2.36	NONE	Normal PF Reactor	3 (6)
	RBK070HP12A	120	2.50 x 3.00 x 2.36	2.69 x 1.56 x 3.63	HPF Reactor	3 (6)
	RBK070HP48A	480	4.00 x 2.87 x 3.00	2.69 x 1.56 x 3.00	HPF Auto	3 (6)
	RBK070HPMTA	120/208/240/277	4.00 x 2.87 x 2.68	2.69 x 1.56 x 3.00	HFP Auto Multi-Tap	3 (6)
100W HPS	RBK10NHP12	120	2.50 x 3.00 x 2.59	NONE	Normal PF Reactor	4 (8)
	RBK100HP12A	120	2.50 x 3.00 x 2.59	2.91 x 1.91 x 3.64	HPF Reactor	4 (8)
	RBK100HP48A	480	4.00 x 2.87 x 3.81	2.69 x 1.56 x 3.25	HPF Auto	4 (8)
	RBK100HPMTA	120/208/240/277	4.00 x 2.87 x 3.25	2.69 x 1.56 x 3.25	HFP Auto Multi-Tap	4 (8)
150W HPS 55V	RBK15NHP12	120	2.50 x 3.00 x 3.30	NONE	Normal PF Reactor	5 (10)
	RBK15AHP12A	120	2.50 x 3.00 x 3.30	2.91 x 1.91 x 4.50	HPF Reactor	5 (10)
	RBK15AHP48A	480	4.00 x 2.87 x 4.10	2.69 x 1.56 x 3.63	HPF Auto	5 (10)
	RBK15AHPMTA	120/208/240/277	4.00 x 2.87 x 3.75	2.69 x 1.56 x 3.63	HFP Auto Multi-Tap	5 (10)
150W HPS 100V	RBK15BHP48A	480	4.00 x 2.87 x 3.81	2.69 x 1.56 x 3.63	HPF Auto	4 (9)
	RBK15BHPMTA	120/208/240/277	4.00 x 2.87 x 3.38	2.69 x 1.56 x 3.63	HFP Auto Multi-Tap	4 (9)
200W HPS	RBK200HP48A	480	4.87 x 4.25 x 3.13	2.91 x 1.91 x 4.50	Lead	5 (12)
	RBK200HPMTA	120/208/240/277	4.87 x 4.25 x 3.13	2.91 x 1.91 x 4.50	Lead Auto Multi-Tap	5 (12)
250W HPS	RBK250HP48A	480	4.87 x 4.25 x 3.31	2.91 x 1.91 x 3.50	Lead	5 (12)
	RBK250HPMTA	120/208/240/277	4.87 x 4.25 x 3.31	2.91 x 1.91 x 3.50	Lead Multi-Tap	5 (12)
	RBK25LHP48A	480	4.87 x 4.25 x 3.31	2.91 x 1.91 x 3.50	Lead (Energy Saving)	5 (12)
	RBK25LHPMTA	120/208/240/277	4.87 x 4.25 x 3.31	2.91 x 1.91 x 3.50	Lead Multi-Tap (Energy Saving)	5 (12)
400W HPS	RBK25RHPXXA <sup>1</sup>	See note 1	4.87 x 4.25 x 4.63	2.91 x 1.91 x 4.50	Mag-Reg	7 (16)
	RBK400HP48A	480	4.87 x 4.25 x 4.31	2.91 x 1.91 x 4.50	Lead	7 (16)
	RBK400HPMTA	120/208/240/277	4.87 x 4.25 x 4.31	2.91 x 1.91 x 4.50	Lead Multi-Tap	7 (16)
	RBK40LHP48A	480	4.87 x 4.25 x 4.31	2.91 x 1.91 x 4.50	Lead (Energy Saving)	7 (16)
1000W HPS	RBK40LHPMTA	120/208/240/277	4.87 x 4.25 x 4.31	2.91 x 1.91 x 4.50	Lead Multi-Tap (Energy Saving)	7 (16)
	RBK40RHPXXA <sup>1</sup>	See note 1	6.12 x 4.25 x 4.69	2.91 x 1.91 x 4.50	Mag-Reg	11 (24)
	RBKC10HP48A	480	6.12 x 4.25 x 5.94	2.91 x 1.91 x 4.88	Lead	12 (26)
	RBKC10HPMTA	120/208/240/277	6.12 x 4.25 x 5.94	2.91 x 1.91 x 4.88	Lead Auto Multi-Tap	12 (26)
50W MH	RBK050MHMTA <sup>2</sup>	120/208/240/277	3.94 x 2.81 x 2.91	2.69 x 1.56 x 3.28	Autotransformer Multi-Tap	3 (6)
70W MH	RBK070MHMTA <sup>2</sup>	120/208/240/277	3.94 x 2.81 x 2.80	2.69 x 1.56 x 3.50	Autotransformer Multi-Tap	3 (7)
100W MH	RBK100MHMTA <sup>2</sup>	120/208/240/277	3.94 x 2.81 x 2.90	2.69 x 1.56 x 3.50	Autotransformer Multi-Tap	4 (9)
150W MH	RBK150MHMTA <sup>2</sup>	120/208/240/277	3.94 x 2.81 x 3.91	2.91 x 1.91 x 4.50	Autotransformer Multi-Tap	5 (10)
175W MH/MV	RBK175MH48A	480	4.00 x 2.87 x 3.82	2.69 x 1.56 x 3.50	Peak Lead Auto	5 (10)
	RBK175MHMTA	120/208/240/277	4.00 x 2.87 x 3.68	2.69 x 1.56 x 3.50	Peak Lead Auto Multi-Tap	5 (10)
250W MH/MV	RBK250MH48A	480	4.87 x 4.25 x 3.50	2.91 x 1.91 x 3.50	Peak Lead Auto	5 (11)
	RBK250MHMTA	120/208/240/277	4.87 x 4.25 x 3.25	2.91 x 1.91 x 3.50	Peak Lead Auto Multi-Tap	5 (11)
	RBK25LMH48A	480	4.87 x 4.25 x 3.50	2.91 x 1.91 x 3.50	Peak Lead Auto (Energy Saving)	7 (15)
	RBK25LMHMTA	120/208/240/277	4.87 x 4.25 x 3.25	2.91 x 1.91 x 3.50	Peak Lead Auto (Multi-Tap Energy)	7 (15)
400W MH/MV	RBK400MH48A	480	4.87 x 4.25 x 4.25	2.91 x 1.91 x 4.50	Peak Lead Auto	7 (15)
	RBK400MHMTA	120/208/240/277	4.87 x 4.25 x 4.25	2.91 x 1.91 x 4.50	Peak Lead Auto Multi-Tap	7 (15)
	RBK40LMH48A	480	4.87 x 4.25 x 4.18	2.91 x 1.91 x 4.50	Peak Lead Auto (Energy Saving)	7 (15)
	RBK40LMHMTA	120/208/240/277	4.87 x 4.25 x 3.88	2.91 x 1.91 x 4.50	Peak Lead Auto (Multi-Tap Energy)	7 (15)
1000W MH/MV	RBK10MH48A	480	6.12 x 4.25 x 5.12	2.91 x 1.91 x 5.13	Peak Lead Auto	11 (24)
	RBKC10MHMTA	120/208/240/277	6.12 x 4.25 x 5.12	2.91 x 1.91 x 5.13	Peak Lead Auto Multi-Tap	11 (24)
1500W MH	RBKC15MHXXA <sup>1</sup>	See note 1	6.12 x 4.25 x 4.50	2.91 x 1.91 x 6.63	Peak Lead	15 (32)

- NOTES:**
- 1 Insert voltages 12-120V; 20-208V; 24-240V; 27-277V; or 48-480V for "XX" in catalog number  
These voltage available at the same price
  - 2 An ignitor 2.5" long by 1.25" diameter is included



An AcuityBrands Company

### Acuity Lighting Group, Inc.

214 Oakwood Ave., Newark, OH 43055 /  
Holophane Canada, Inc. 9040 Leslie Street, Suite  
208, Richmond Hill, ON L4B 3M4 / Holophane  
Europe Limited, Bond Ave., Milton Keynes MK1  
1JG, England / Holophane, S.A. de C.V.,  
Apartado Postal No. 986, Naucalpan de Juarez,  
53000 Edo. de Mexico