

Type WD wiring troughs

The 1100 WD are used as junction or pull boxes and are suitable for surface mounting with a screw cover. Boxes and covers are made from 14 GA or 16 GA steel.

Four internal mounting holes, bonding screw and attachment are provided. Enclosures are finished with heat fused polyester powder, electro-

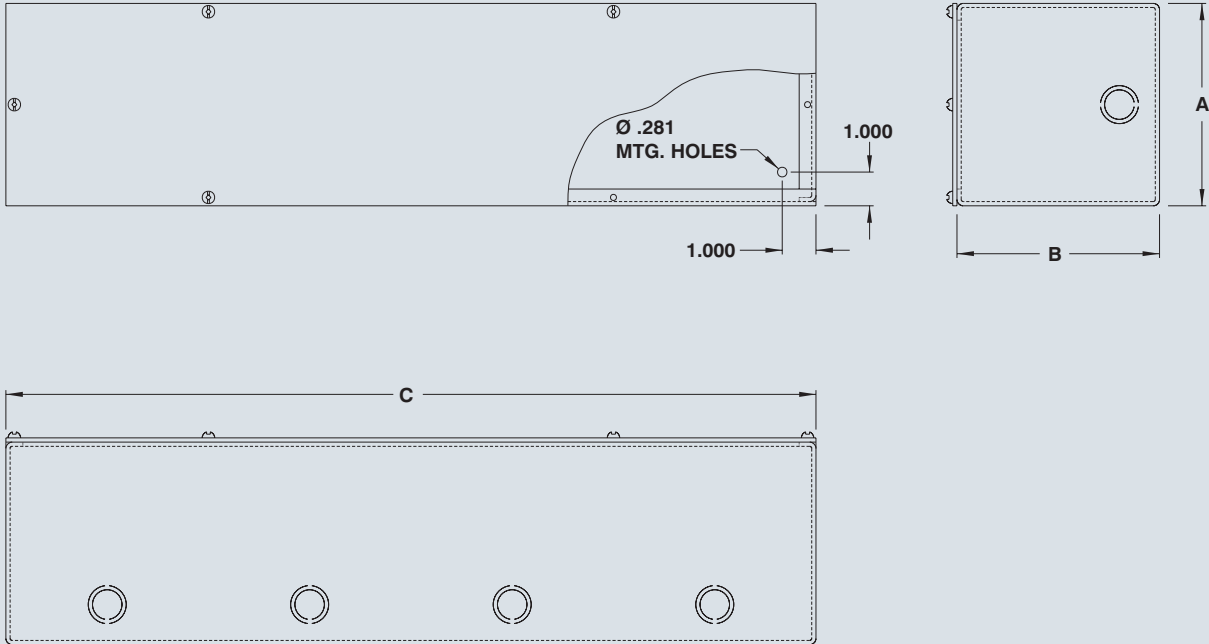
statically applied on a phosphatized base. Box is ANSI/ASA 61 grey (other colors available).
CSA Certified
NEMA 1 / IP20

- Quick Features :**
- Knockout provided
 - Powder coated



Visit www.eurobex.com for details.

Call us toll free 1-800-363-2423



CATALOG NUMBER	DIMENSIONS			SHIP WGHT LBS.	CATALOG NUMBER	DIMENSIONS			SHIP WGHT LBS.
	A	B	C			A	B	C	
1100 WD040412	4	4	12	6	1100 WD080836	8	8	36	25
1100 WD040418	4	4	18	8	1100 WD080848	8	8	48	32
1100 WD040424	4	4	24	10	1100 WD080860	8	8	60	40
1100 WD040436	4	4	36	12	1100 WD080872	8	8	72	47
1100 WD040448	4	4	48	15	1100 WD080884	8	8	84	55
1100 WD040460	4	4	60	21	1100 WD080896	8	8	96	65
1100 WD040472	4	4	72	23	1100 WD101024	10	10	24	26
1100 WD040484	4	4	84	26	1100 WD101036	10	10	36	36
1100 WD040496	4	4	96	30	1100 WD101048	10	10	48	47
1100 WD060612	6	6	12	8	1100 WD101060	10	10	60	57
1100 WD060618	6	6	18	11	1100 WD101072	10	10	72	68
1100 WD060624	6	6	24	13	1100 WD101096	10	10	96	90
1100 WD060630	6	6	30	15	1100 WD1010120	10	10	120	111
1100 WD060636	6	6	36	19	1100 WD121224	12	12	24	33
1100 WD060648	6	6	48	24	1100 WD121236	12	12	36	44
1100 WD060660	6	6	60	29	1100 WD121248	12	12	48	55
1100 WD060672	6	6	72	35	1100 WD121260	12	12	60	67
1100 WD060684	6	6	84	38	1100 WD121272	12	12	72	83
1100 WD060696	6	6	96	43	1100 WD121296	12	12	96	106
1100 WD080812	8	8	12	11	1100 WD1212120	12	12	120	131
1100 WD080824	8	8	24	18					



Note : Type WD boxes are also available without knockouts, as series 1100 WDxN. (ie : 1100 WD080872N)

Data subject to change without notice.

Suggested Accessories



p.369



p.369



p.368