

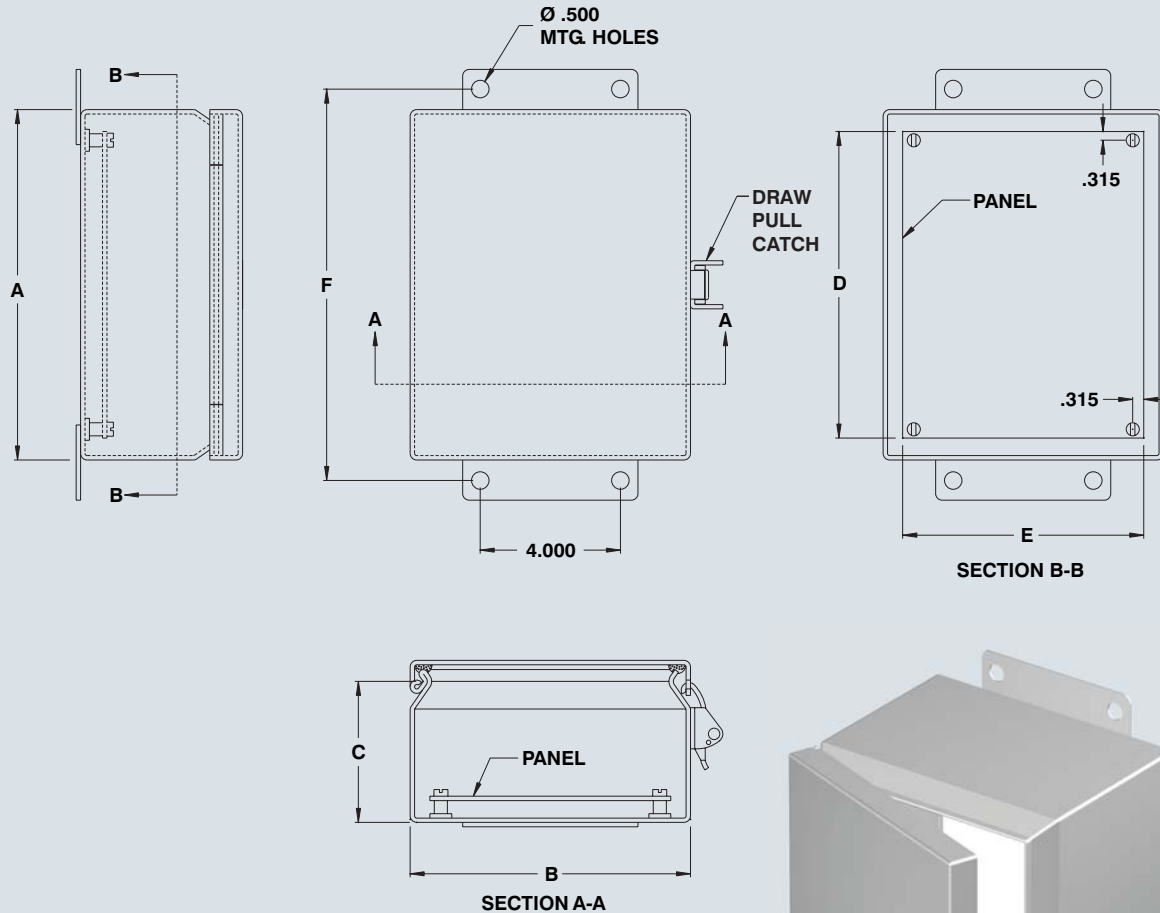
Small single door weatherproof enclosures

The 5300 ESCH are used in outdoor installations or indoors where dripping water is a problem. The 5300 ESCH are made from quality 16 GA steel, with corner seams continuously welded. The opening has a curled lip around all sides to prevent dripping water from entering the enclosure when the door is open, it also increases rigidity. A high quality robotically poured-in-

place seamless gasket ensures a complete and durable water tight seal. This enclosure features incorporated hinging, meaning that the hinge is a part of the box and part of the cover. This minimizes the amount of welding and allows the door to be easily removed by pulling out the full length mushroom head hinge pin. The doors are secured with padlockable draw pull catches.

Each enclosure comes complete with a 14 GA inner panel which mounts on weld nuts. Four external mounting holes are provided. Enclosures and panels are finished with heat fused polyester powder, electrostatically applied on a phosphatized base. Box is ANSI/ASA 61 grey, panel is white (other colors available).
CSA Certified / UL Listed
NEMA 3 / IP64

- Quick Features :**
- Seamless welding
 - Drip shield
 - Padlock pull catch
 - Seamless welding
 - Poured gasket
 - Panel is included
 - Powder coated



CATALOG NUMBER	DIMENSIONS						SHIP WGHT LBS.
	A	B	C	D	E	F	
5300 ESCH060604	6	6	4	4.88	4.88	7.125	5
5300 ESCH080604	8	6	4	6.88	4.88	9.125	6
5300 ESCH080806	8	8	6	6.88	6.88	9.125	8
5300 ESCH100806	10	8	6	8.88	6.88	11.125	10
5300 ESCH121006	12	10	6	10.88	8.88	13.125	12
5300 ESCH121207	12	12	7	10.88	10.88	13.125	15



Visit www.eurobex.com for details.

Call us toll free 1-800-363-2423

Data subject to change without notice.

Suggested Accessories



p.364

p.375

p.376

p.378

p.384

p.368