



Industrial Specification Grade Plugs and Connectors

- 2 Pole, 3 Wire Grounding
- 3 Pole, 3 Wire Non-Grounding
- 4 Pole, 4 Wire Non-Grounding
- NEMA 5-15, 15A 125V
- NEMA 6-15, 15A 250V
- NEMA 5-20, 20A 125V
- NEMA 6-20, 20A 250V
- NEMA 7-20, 20A 277V
- NEMA 10-20, 20A 125/250V
- NEMA 18-20, 20A 120/280V 3ØY

Safety Grip™ Nylon Dead-Front Plugs and Connectors

FEATURES

- Nylon back-wired Dead-Front construction.
- Neoprene gasket seals cord hole opening.
- Dual range cord grip design.
- Combination head screws: U.S. Phillips/slotted; Can. Robertson/slotted.
- Add "-C" to catalog numbers for Canadian Screws.

Safety Grip™ Dead-Front Plugs and Connectors

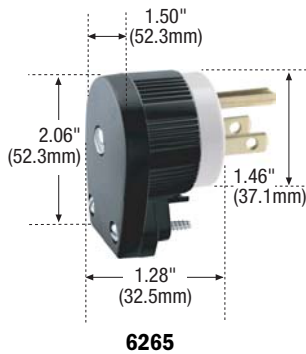
Rating A	V/AC	NEMA	Description	Cord Diameter	Color	Catalog No.	
						Plug	Connector
15	125	5-15	Straight	0.250-0.656" (6.4-16.7mm)	Black & White	6266*	6269*
			Angle	0.300-0.656" (7.62-16.7mm)	Black & White	6265*	
15	250	6-15	Straight	0.250-0.656" (6.4-16.7mm)	Black & White	6666*	6669*
20	125	5-20	Straight	0.250-0.656" (6.4-16.7mm)	Black & White	6766	6769†
20	250	6-20	Straight	0.250-0.656" (6.4-16.7mm)	Black & White	6866	6869
20	277	7-20	Straight	0.375-1.000" (9.5-25.4mm)	Black & White	7624N	—
20	125/250	10-20	Straight	0.375-1.000" (9.5-25.4mm)	Black & White	9151N†	—
20	120/ 208V 3ØY	18-20	Straight	0.375-1.000" (9.5-25.4mm)	Black & White	7251N†	—

* Not Fed. Specs.

† Not CSA listed

INDUSTRIAL
COMMERCIAL
RESIDENTIAL

I-5 STRAIGHT BLADE PLUGS AND CONNECTORS



TESTING & CODE COMPLIANCE

- Listed to UL 498 (file no. E3663,)
- UL verified to Federal Spec. WC-596, except as noted.
- Listed to CSA, C22.2 no 42. (file no. LR7087), except as noted.

MATERIAL CHARACTERISTICS

Nylon.
Temperature Rating:
-40°C to 75°C.

