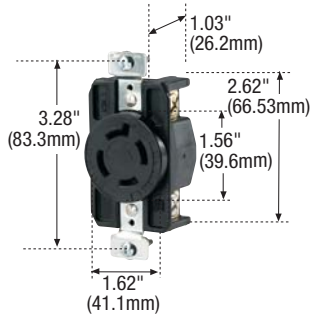




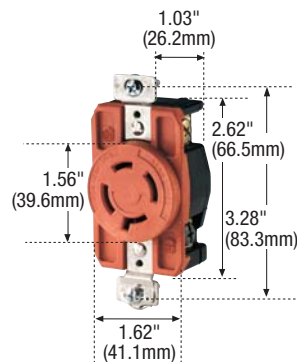
Industrial Specification Grade Hart-Lock® Locking Devices

3 Pole, 4 Wire Grounding
NEMA L14-20, 20A 125/250V
NEMA L15-20, 20A 250V 3Ø
NEMA L16-20, 20A 480V 3Ø

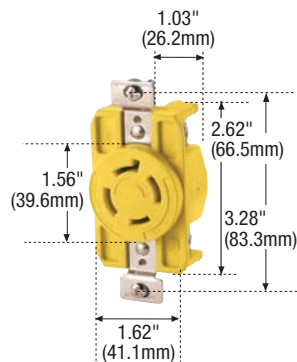
20A 3 Pole, 4 Wire Grounding Industrial Specification Grade Locking Receptacles



CWL1420R



IGL1420R



CRL1420R

FEATURES

- Rugged fiberglass reinforced nylon body.
- Clearly marked rating, NEMA configuration and approval listings on receptacle face.
- One piece brass contacts offer superior performance and minimum heat rise.
- Back wire terminal clamps for easy secure wiring.
- Combination head screws standard - slot/Phillips in the U.S.
- Add -C to catalog number for Canadian screws - slot/Robertson head combination.
- Safety ground clip provided for fast installation.

Industrial Specification Grade Single Receptacles - Back and Side Wire

Rating	A	V/AC	NEMA	Description	Color	Catalog No.
20	125/250	L14-20	Standard	Black	CWL1420R	
			Corrosion Resistant	Yellow	CRL1420R	
			Isolated Ground	Orange	IGL1420R*	
20	250V 3Ø	L15-20	Standard	Black	CWL1520R	
			Corrosion Resistant	Yellow	CRL1520R	
			Isolated Ground	Orange	IGL1520R*	
20	480V 3Ø	L16-20	Standard	Black	CWL1620R*	
			Isolated Ground	Orange	IGL1620R*	

*Not Federal spec. listed

NOTE: Weather Protective Covers from Cooper Wiring Devices that may be used with these products are described on page E-71 in this section.

INDUSTRIAL
COMMERCIAL

E-19
LOCKING
DEVICES

TESTING & CODE COMPLIANCE

- Listed to UL 498 (file no. E2369).
- UL Listed to Federal Spec. W-C-596 except as noted.
- CSA Certified to C22.2 no. 42 (file no. LR7087).

MATERIAL CHARACTERISTICS

Glass filled Nylon.
Meets flammability per UL 94 requirements, VO rated.
Temperature Rating: -40°C to 105°C.



L14-20R

L15-20R

L16-20R